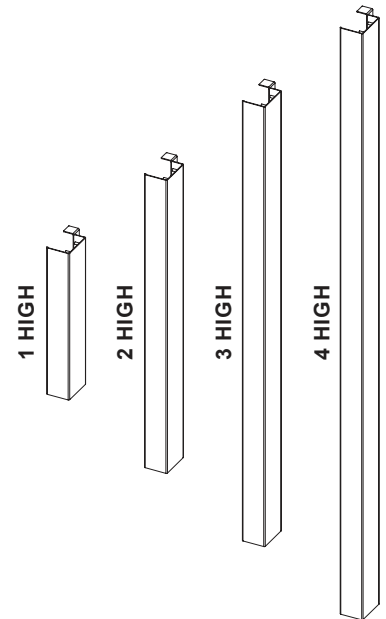
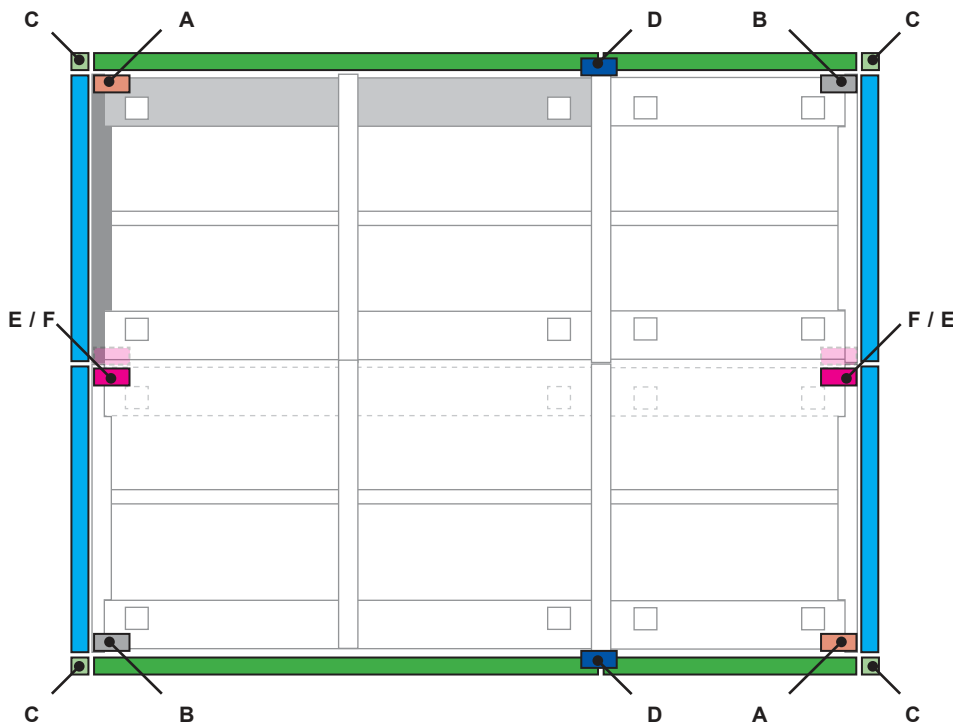
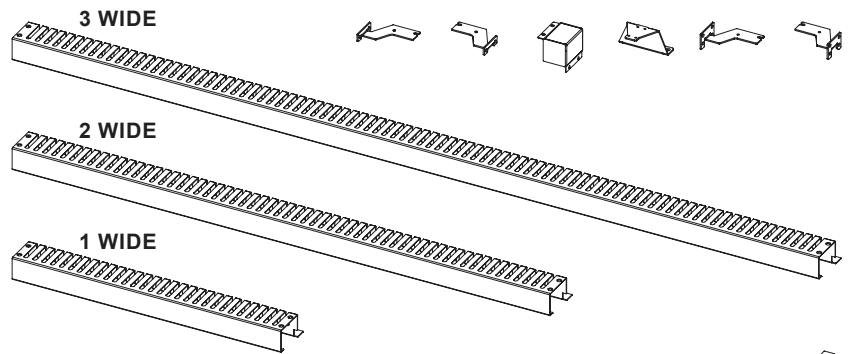
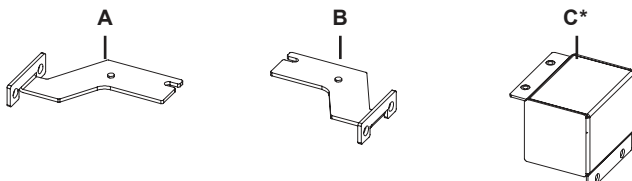


CLD-LG-LSA

LG LSA Convergent Mount
Cladding Kit

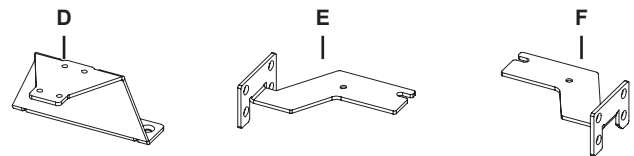


Attachment Brackets



Bracket A & B are essential for all configuration.
*Bracket C is only on Top or Bottom side.

Extension Brackets



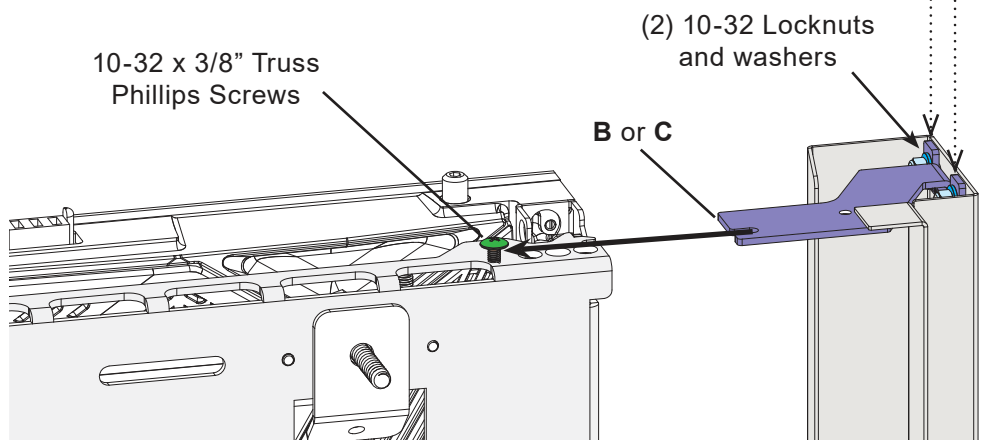
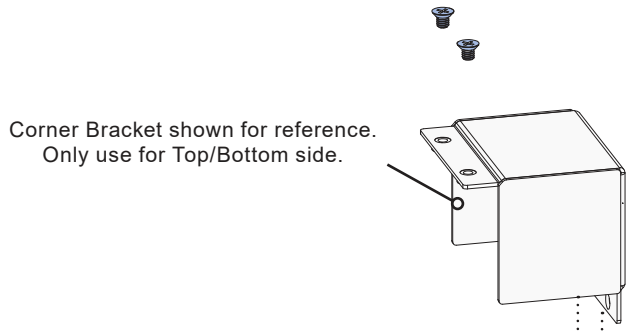
Extension brackets are **only** use to join two cladding trim together.

**Upper Rear
Left View**

LEFT AND RIGHT SIDE CLADDING

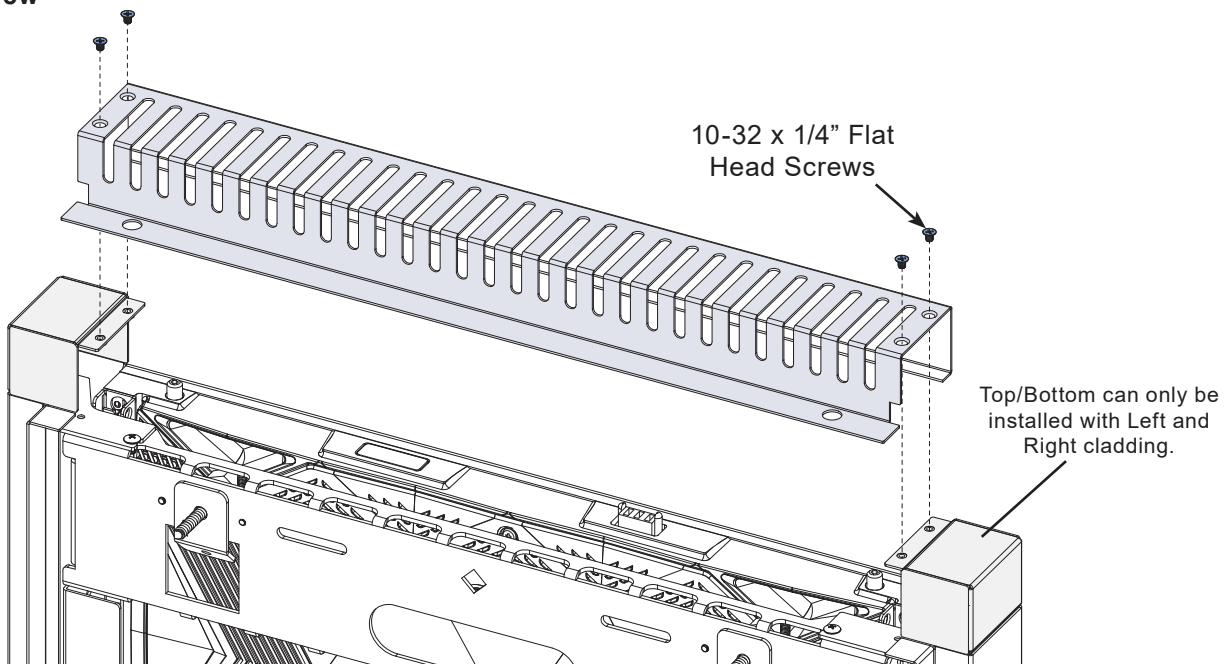
Assemble the side cladding with the attachment brackets then mount into place.

Notes: Use the Mirrored Bracket when installing on the opposite side

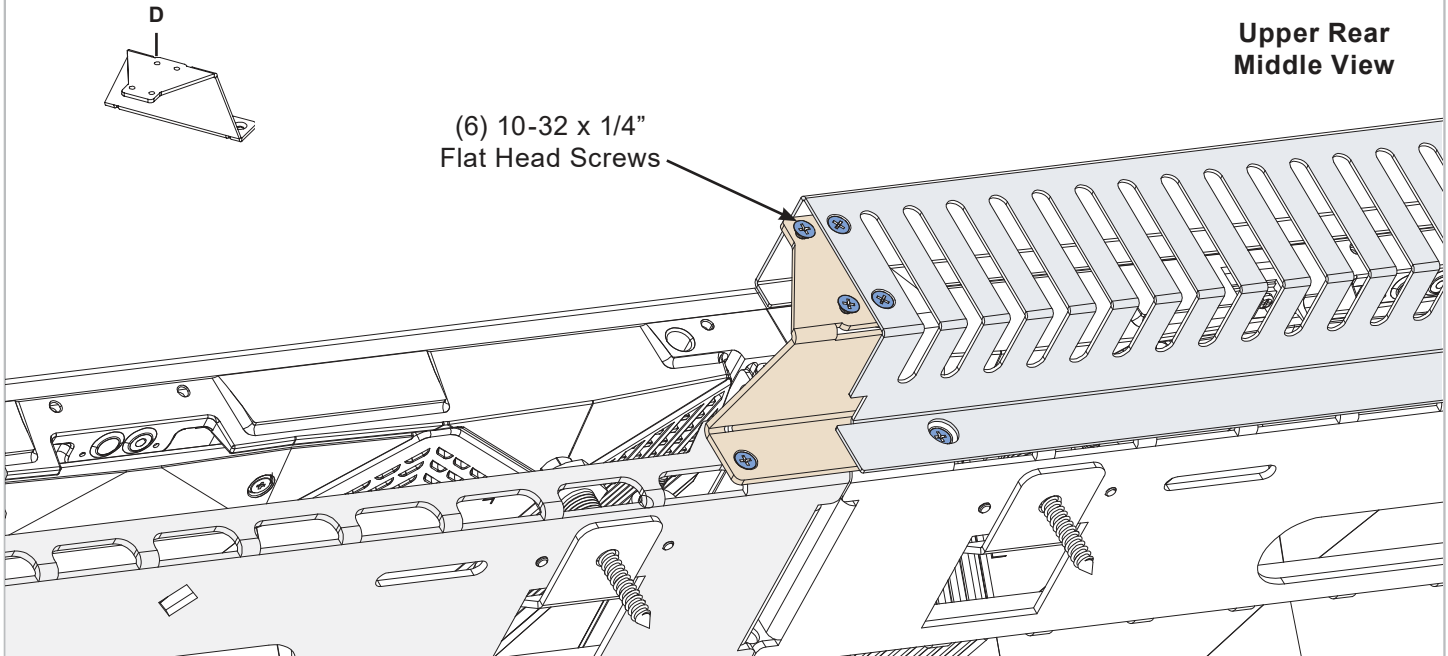


**Upper Top
View**

TOP AND BOTTOM CLADDING



HORIZONTAL EXTENSION



VERTICAL EXTENSION

