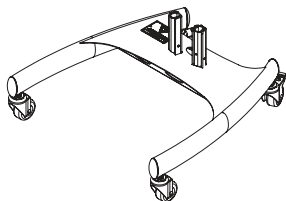


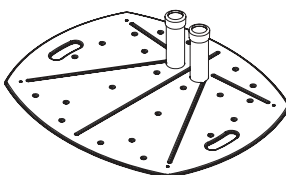
DUAL POLE CARTS AND STANDS

Installation Guide

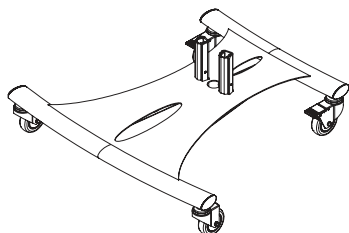
DUAL POLE CARTS AND STANDS



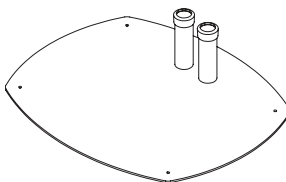
BW-BASE
Nesting cart



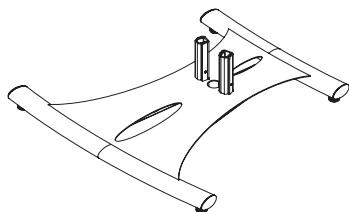
TL-BASE
Lightweight stand



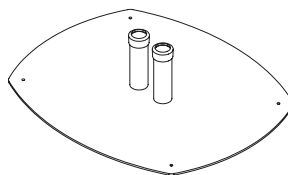
EB-BASE-C
Elliptical cart



TS-BASE
Floor stand

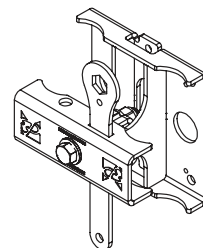


EB-BASE
Elliptical stand



CS-BASE
Floor stand (back to back)

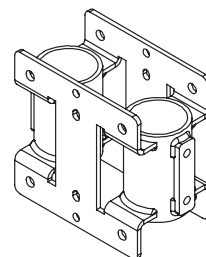
PSD-HDCA



Dual pole adapter includes with all base (except CS-BASE)

+

PSD-DPB



Back to back adapter includes with CS-BASE

POLE LENGTH OPTIONS

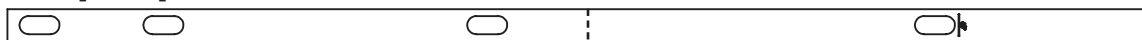
40"



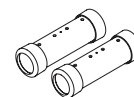
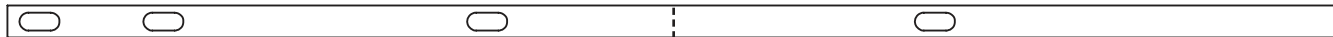
60" - [33/27]*



72" - [36/36]*



84" - [42/42]*



PSD-EXT*

Poles are available in single or pair, black or chrome, full length or cut-in-half length [actual cut lengths]*. Poles and splice collar (PSD-EXT), Sold separately.

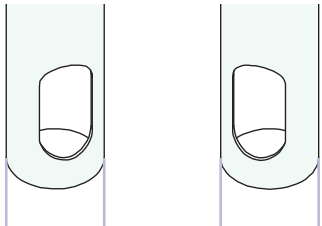
DUAL POLE CARTS AND STANDS

Installation Guide

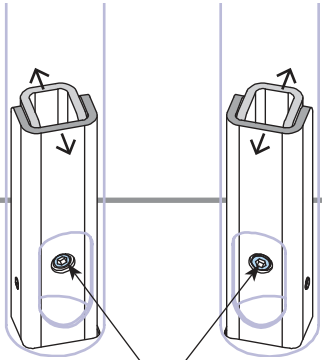
1

Type A

BW and EB bases



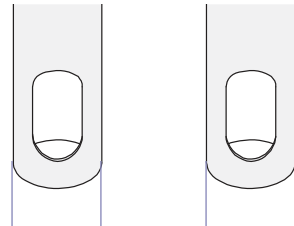
Insert poles and align openings to the set screws.



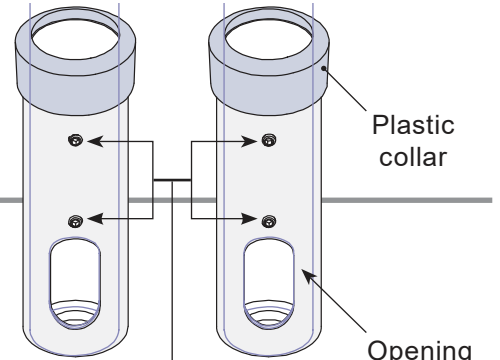
Tighten to engage the jaw.

Type B

TL, TS, CS bases



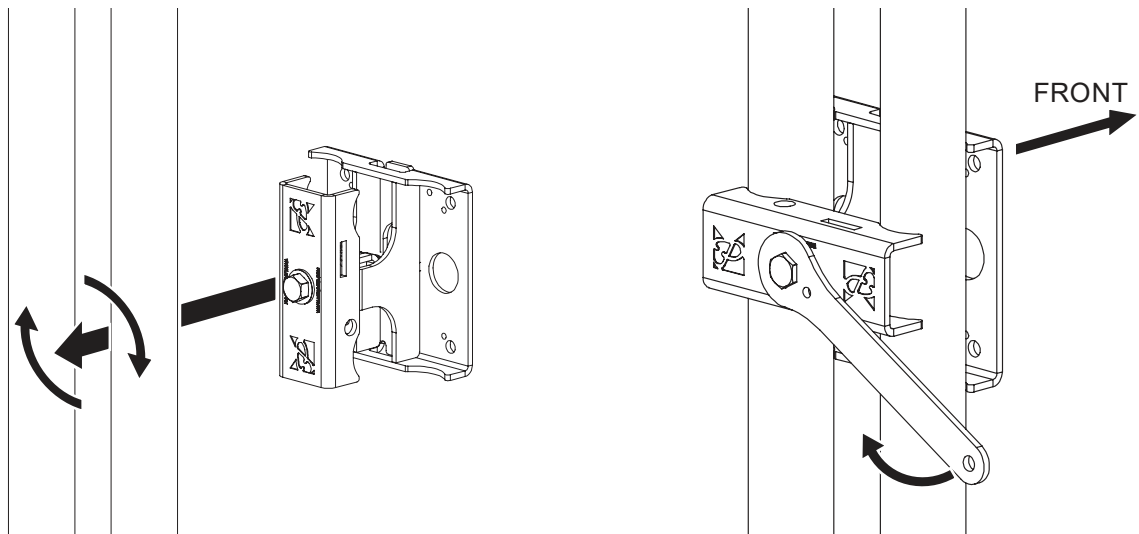
Insert poles and align the openings.



(4) M8 x 10 Set screws

INSTALLING THE PSD-HDCA

2A



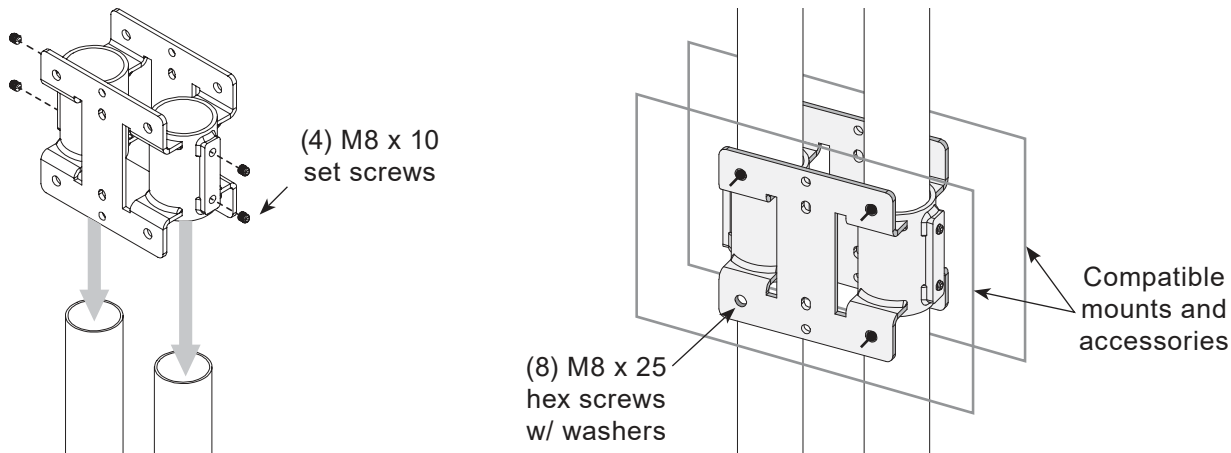
Refer to PSD-HDCA installation manual for detail.

DUAL POLE CARTS AND STANDS

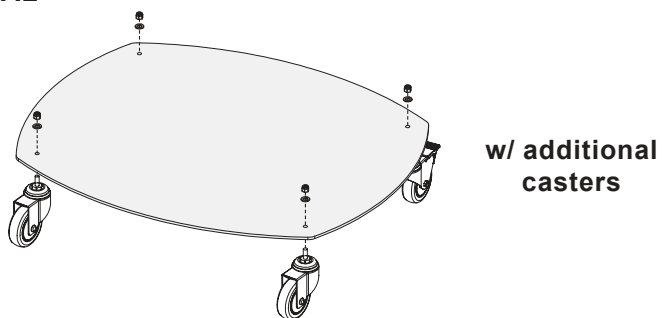
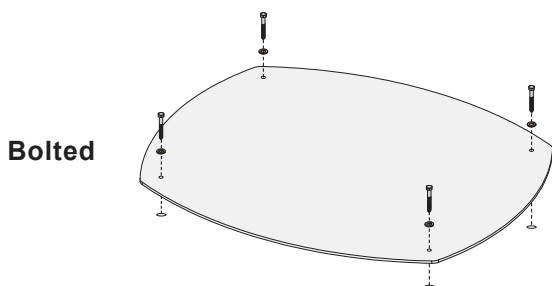
Installation Guide

2B

INSTALLING THE PSD-DPB



OPTIONAL



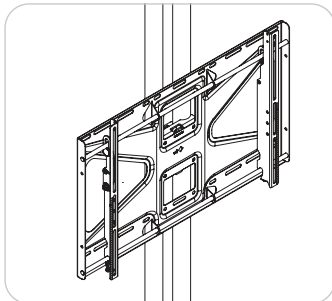
Part Number	Wheel Size	Description
CAST-BW	3" dia.	Set of 4, Black, 2 non-locking and 2 locking casters.
CAST	4" dia.	

Ø 3/8" thru hole at four locations.
3/8"-16 x 1" long threaded stem.

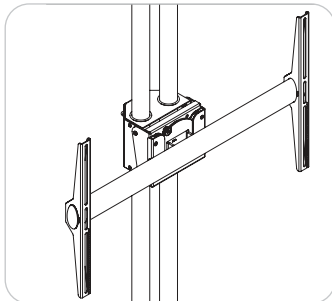
Commercially available hardware shown for reference.

ACCESSORIES

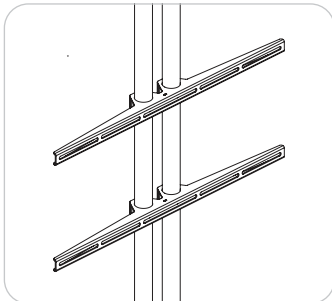
Contact a sales representative for compatible mounting and bundling options.



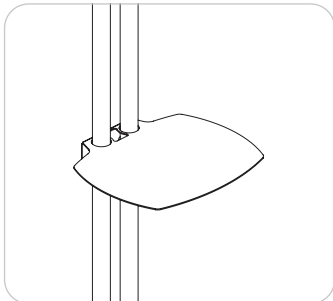
CTM Series



RTM Series



UFA/USA Series



Shelf Option