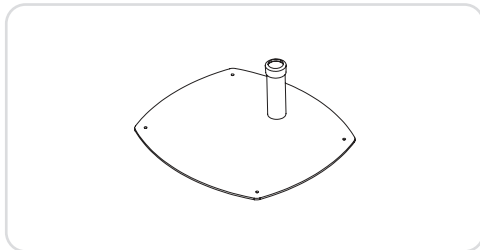


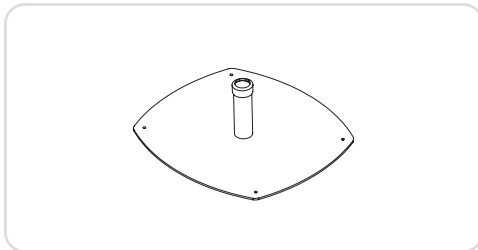
SINGLE POLE CARTS AND STANDS

Installation Guide

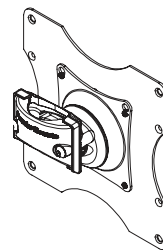
SINGLE POLE CARTS AND STANDS



PSP-S-BASE
Floor stand



PSP-BASE
Floor stand (back to back)



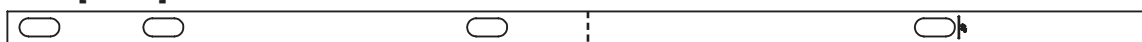
VPM
VESA Pole Mount

POLE LENGTH OPTIONS

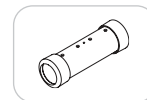
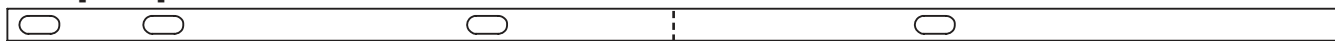
60" - [33/27]*



72" - [36/36]*



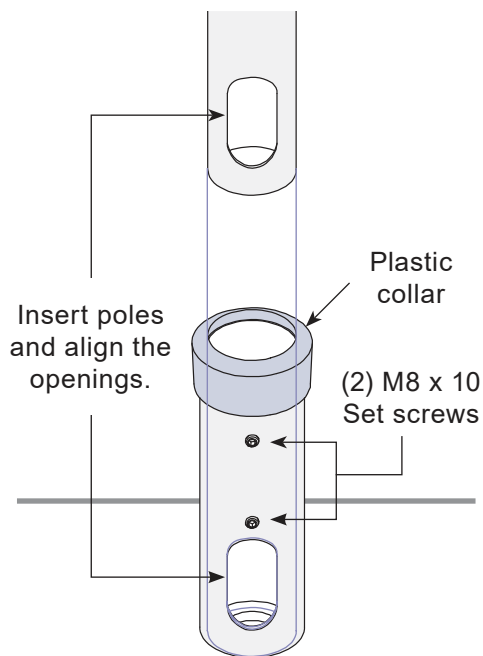
84" - [42/42]*



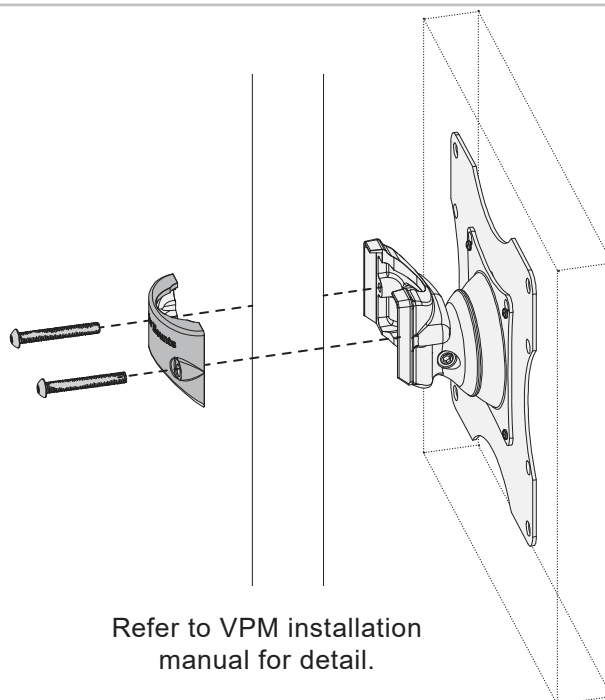
PSP-EXT*

Poles are available in single or pair, black or chrome, full length or cut-in-half lengths [actual cut lengths]*.
Poles and splice collar (PSP-EXT), Sold separately.

1



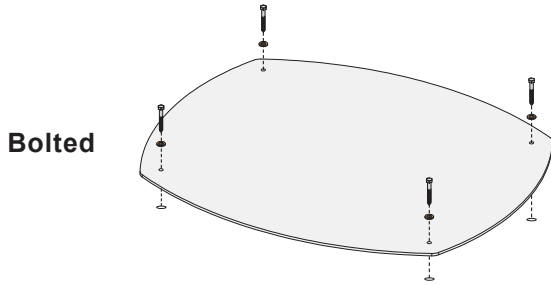
2



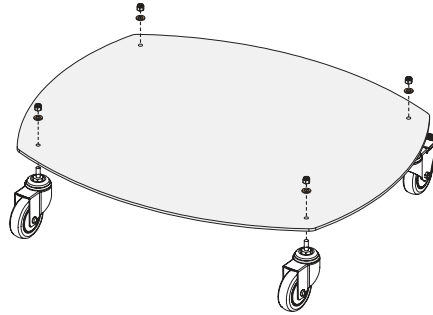
SINGLE POLE CARTS AND STANDS

Installation Guide

OPTIONAL



Bolted



w/ additional casters

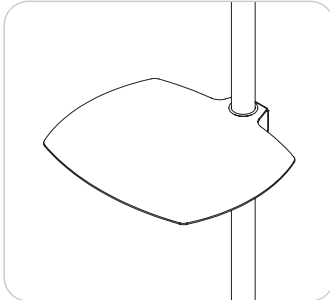
Part Number	Wheel Size	Description
CAST-BW	3" dia.	Set of 4, Black, 2 non-locking and 2 locking casters.
CAST	4" dia.	

Ø 3/8" thru hole at four locations.
3/8"-16 x 1" long threaded stem.

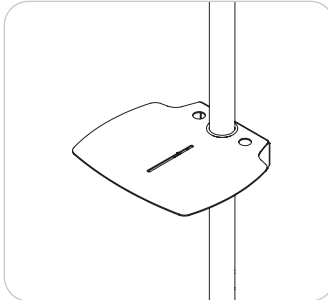
Commercially available hardware shown for reference.

ACCESSORIES

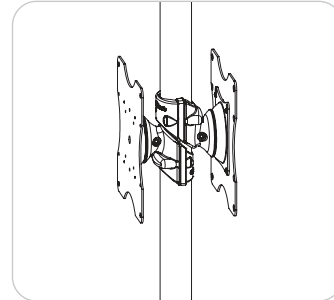
Contact a sales representative for compatible mounting and bundling options.



Shelf Option



Camera Shelf Option



Back to Back option