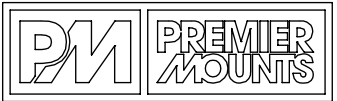
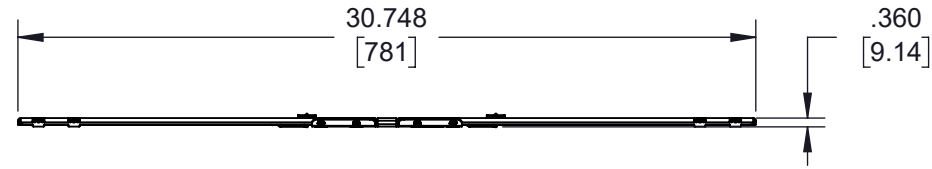


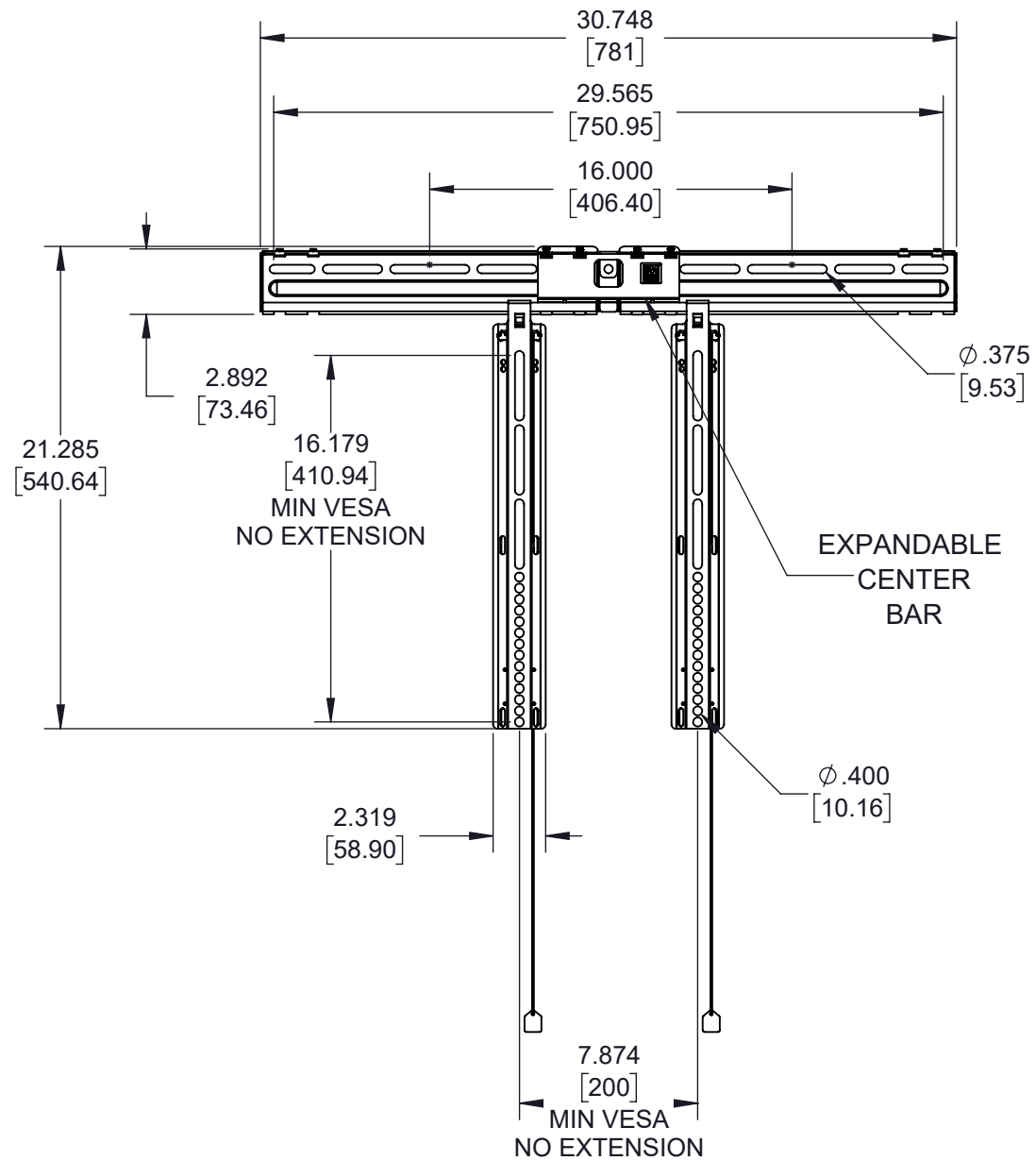
PRODUCT DIMENSIONS



PART NUMBER: PWM-HZL	DESCRIPTION: PREMIER WALL MOUNT HORIZON LARGE	WEIGHT (LBS): 5	RATING (LBS): 200
-----------------------------	--	------------------------	--------------------------



MINIMUM VESA EXTENSION



MAXIMUM VESA EXTENSION

