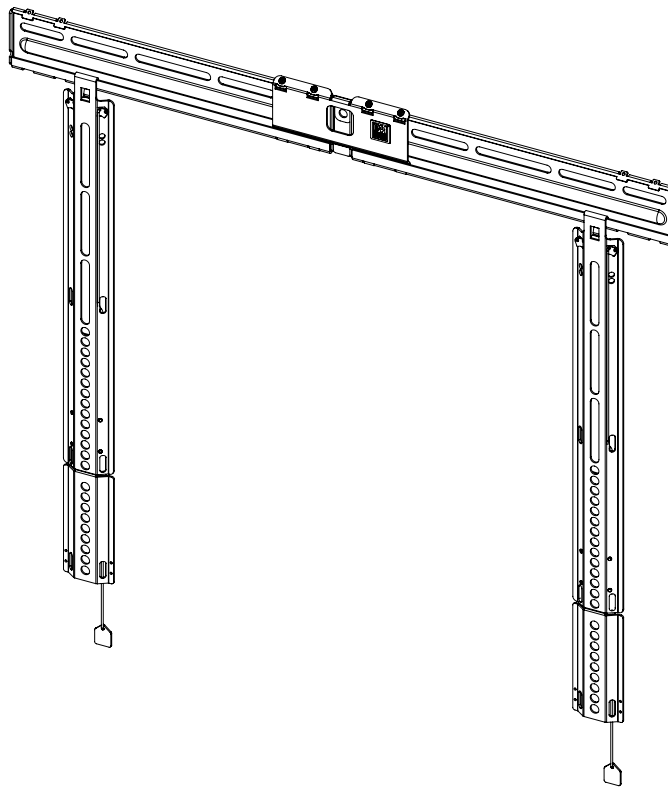


PWM-HZL

Installation Guide

Ultra-Low Profile Wall Mount for Display Panels
up to 160 lbs / 72.5 kg



INST-1272 REV A



Rated Capacity

160 lbs / 72.5 kg

Maximum Flat Panel Weight:

The wall structure must be capable of supporting at least four times the weight of the flat panel. If not, the wall structure must be reinforced.

Warning Statements



Prior to the installation of this product, the installation instructions must be read and completely understood. Keep these installation instructions in an easily accessible location for future reference.



Proper installation procedure by a qualified service technician must be followed, as outlined in these installation instructions. Failure to do so could result in property damage, serious personal injury, or even death.



Safety measures must be practiced at all times during the assembly of this product. Use proper safety equipment and tools for the assembly procedure to prevent personal injury.



Premier Mounts does not warrant against damage caused by the use of any Premier Mounts product for purposes other than those for which it was designed or damage caused by unauthorized attachments or modifications, and is not responsible for any damages, claims, demands, suits, actions or causes of action of whatever kind resulting from, arising out of or in any manner relating to any such use, attachments or modifications.



At least two qualified people should perform the assembly procedure. Personal injury and/or property damage can result from dropping or mishandling the flat panel.



If mounting to wall studs or ceiling studs, make sure that the mounting screws are anchored into the center of the wall studs or ceiling studs. Use of an edge-to-edge stud finder is recommended.



It is recommended that a maximum of 5/8" drywall be used when mounting to wooden studs.



Be aware of the mounting environment. If drilling and/or cutting into the mounting surface, always make sure that there are no electrical wires in wall. Cutting or drilling into an electrical line may cause serious personal injury.



Make sure there are no water or natural gas lines inside the wall where the mount is to be located. Cutting or drilling into a water or gas line may cause severe property damage or personal injury.



This product is intended for indoor use only. Use of this product outdoors could lead to product failure and/or serious personal injury.

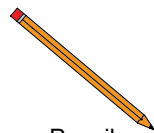


Do not install near sources of high heat. Do not install on a structure that is prone to vibration, movement or chance of impact.

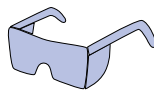
TOOLS FOR INSTALLATION:



Stud Finder



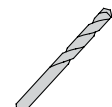
Pencil



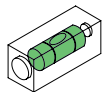
Protective Eyewear



M6 or 1/4" Drill Bit



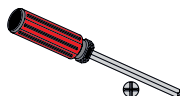
3/8" Masonry Drill Bit



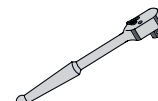
Level



13mm or 1/2" Socket



Screwdriver

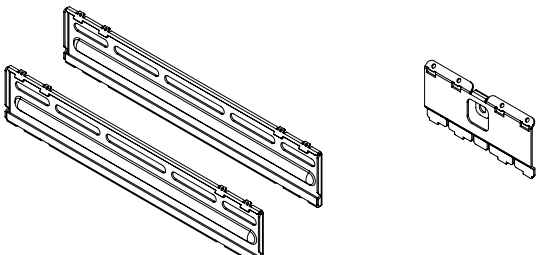
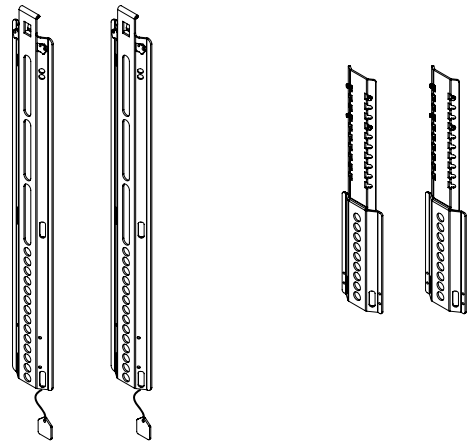

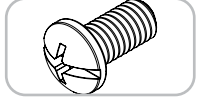
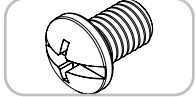
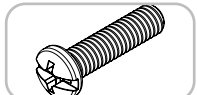
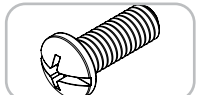
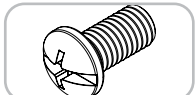
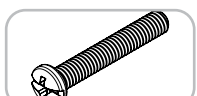
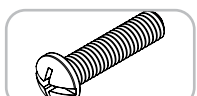
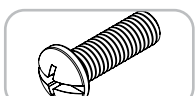
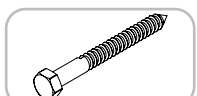
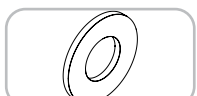
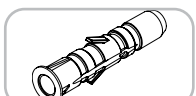
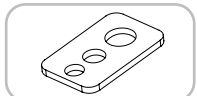
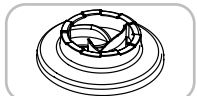

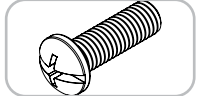
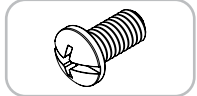


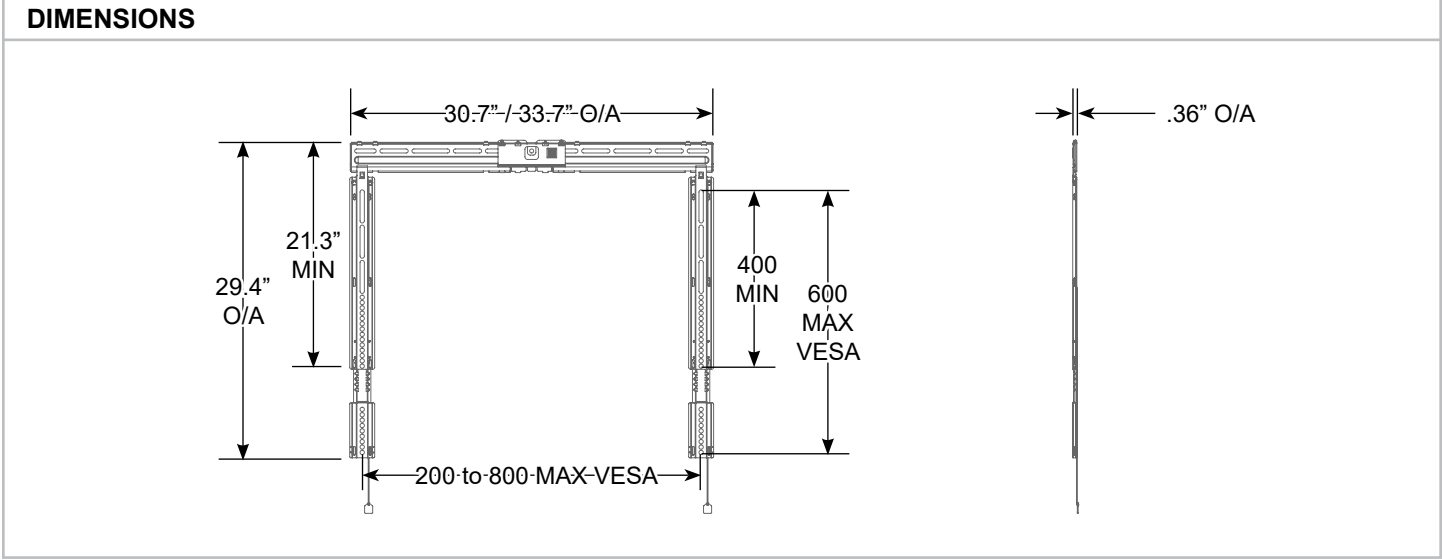
Socket Wrench



Portable Drill



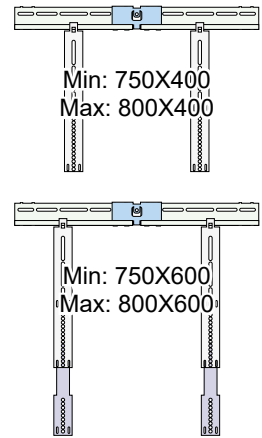
INCLUDES	HARDWARE
 <p>Wall Plate (Qty 2)</p> <p>Horizontal Extender (Qty 1)</p>  <p>Mounting Brackets (Qty 2)</p> <p>Vertical Extender (Qty 2)</p>	 <p>M4 x 12mm (Qty 4)</p>  <p>M6 x 12mm (Qty 4)</p>  <p>M8 x 12mm (Qty 4)</p>  <p>M4 x 16mm (Qty 4)</p>  <p>M6 x 16mm (Qty 4)</p>  <p>M8 x 16mm (Qty 4)</p>  <p>M4 x 25mm (Qty 4)</p>  <p>M6 x 25mm (Qty 4)</p>  <p>M8 x 25mm (Qty 4)</p>  <p>5/16 x 3 Lag (Qty 4)</p>  <p>5/16 Washer (Qty 4)</p>  <p>Twist-Resistance 5/16 Anchor (Qty 4)</p>  <p>Universal 3-hole Washer (Qty 4)</p>  <p>Universal Spacer M4-M8 (Qty 8)</p>  <p>Depth Measuring Straw (Qty 1)</p>  <p>M8 x 45mm (Qty 4)</p>  <p>M4 x 5mm (Qty 12)</p>



1

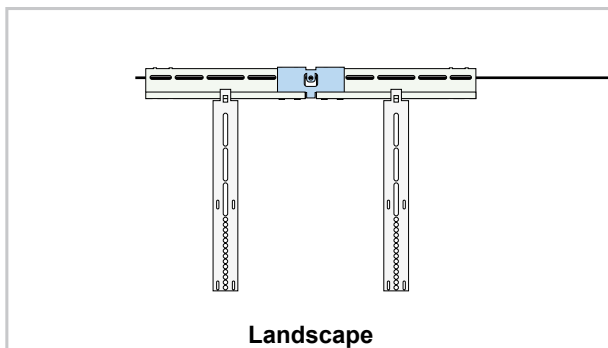
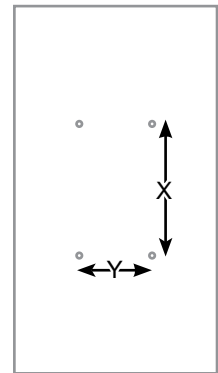
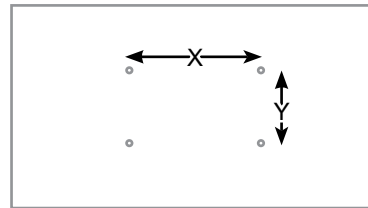
1. Identify bolt pattern or VESA pattern of the display panel.
2. Determine the mounting orientation, landscape or portrait.
3. Hook the mounting brackets onto the wall plate.
4. Place the brackets on the back of the unit and aligning the mounting pattern centered to the brackets.
5. Measure from top of the display to mounting slots, Distance B.
6. Distance A and B will be use to determine placement of the wall plate in when installing to a wall.
7. Unhook the brackets after finding the distance.

If required, extend the VESA vertically and horizontally using the extender brackets (see next page). Use when necessary; otherwise, depending on the size of the display, the brackets may protrude past the panel.

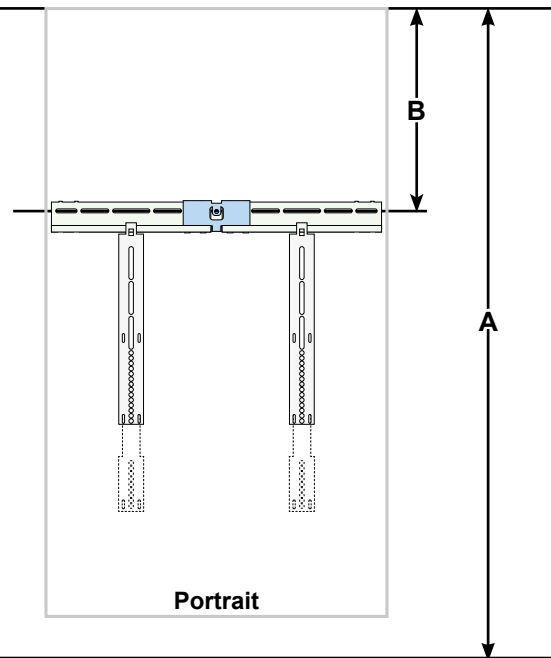


The VESA bolt pattern is read [horizontally] by [vertically] in millimeters or landscape. When mounted in portrait orientation, the display screen is rotated 90 degrees and two numerals are read in reverse order.

For example, a 600X400 display panel becomes 400X600 when mounted in portrait orientation.



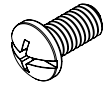
Landscape



Portrait

2

1. Assemble the horizontal brackets as shown in Figure 1A. Alternately, the brackets can be extended to their outermost position if 800mm (horizontal) VESA is required, as shown in Figure 1B.
2. Use vertical extender brackets as needed. Attach the brackets with at least four screws per bracket, Figure 2.
3. Use M4 x 5mm screws to attach the extension brackets wherever needed.



M4 x 5mm

Figure 1A

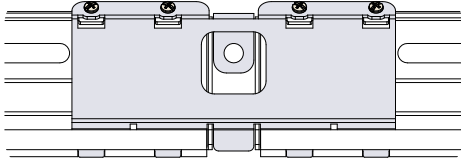


Figure 1B

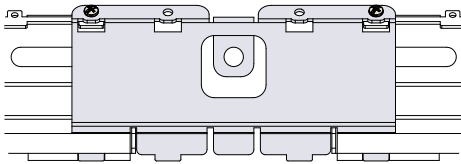
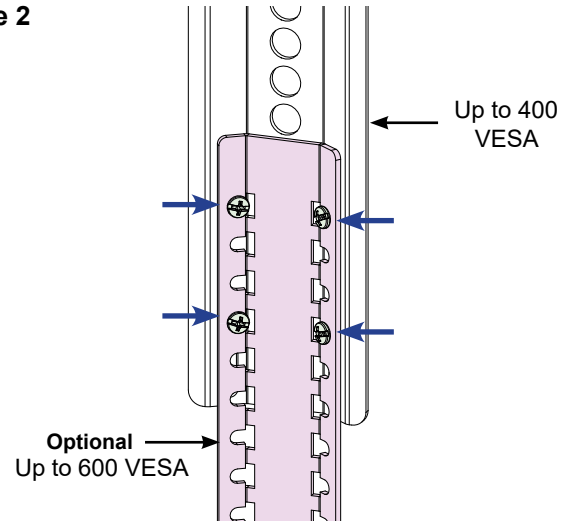
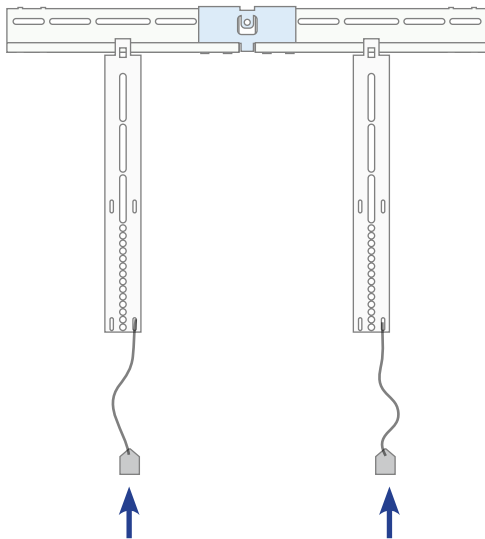


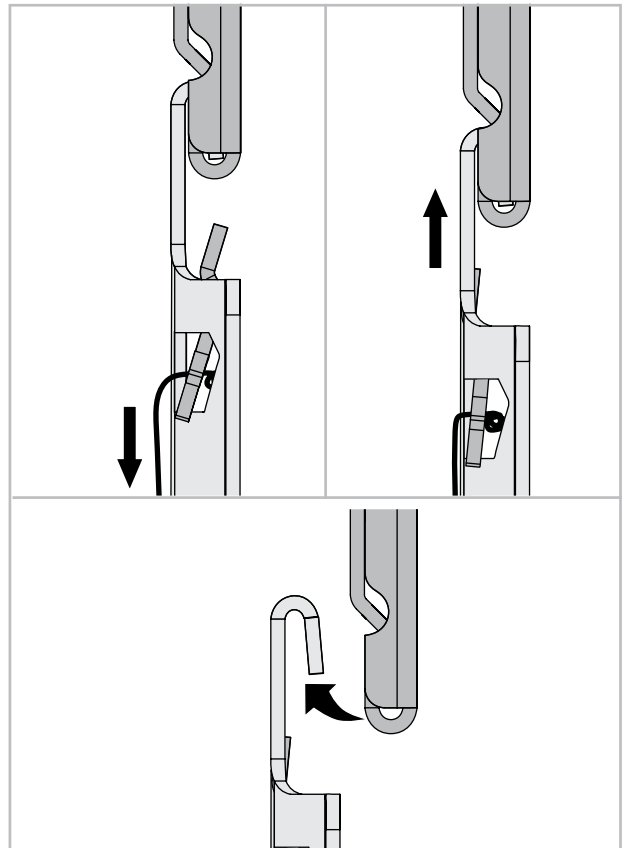
Figure 2



3

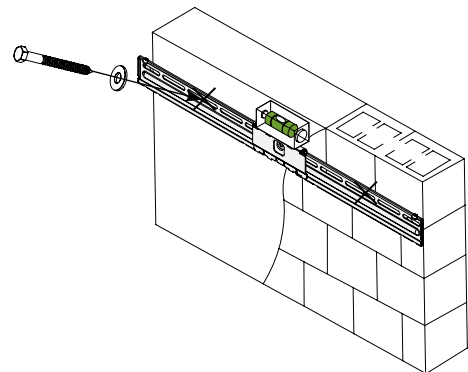
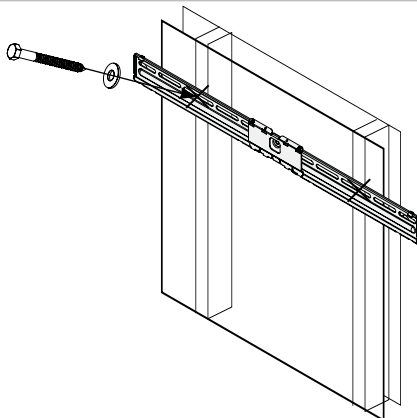
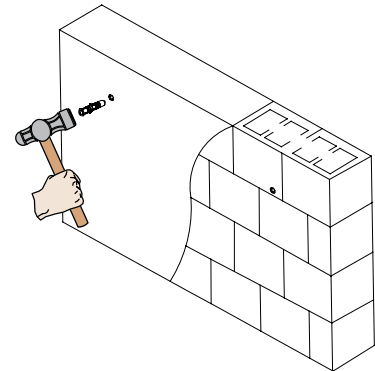
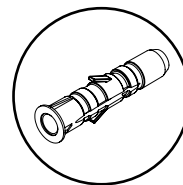
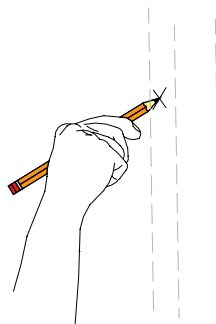
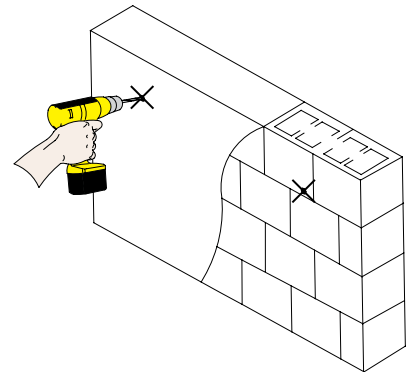
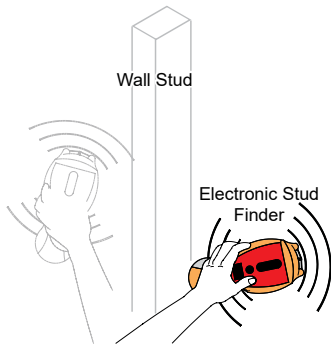
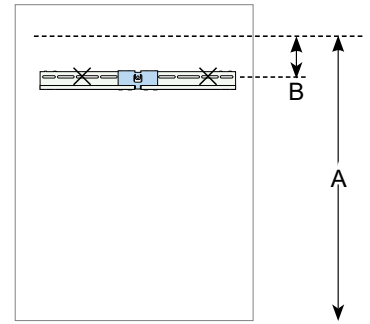


1. Pull on both nylon braided cord to disengage the latch.
2. Remove the mounting brackets from the wall plate.



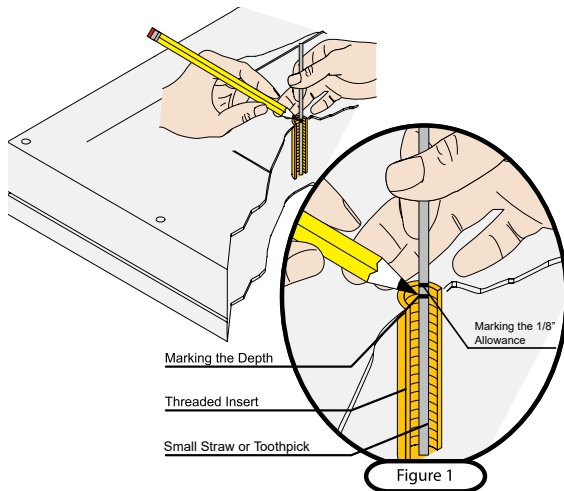
4

1. **For wood applications:** Using a stud finder, locate a stud and mark it with a pencil.
2. **For concrete applications:** Drill holes using a 3/8" masonry bit (commercially available). Drill 3" deep. Insert the finned anchors into each drilled hole. Use a hammer and lightly tap each anchor into place.
3. Refer to the diagram from previous step.
4. Place the horizontal wall plate on the wall, center, and level it.
5. Insert and tighten using at least (2) 5/16" x 3" lag bolt and flat washer. Tighten using a 1/2" socket wrench.



SELECTING THE MOUNTING HARDWARE

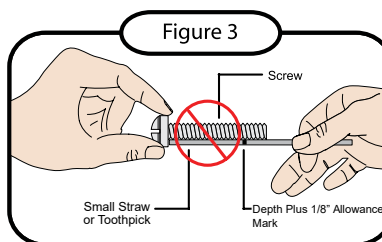
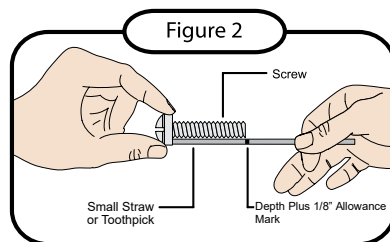
5



1. Insert a small straw or toothpick into the threaded inserts found on the back of the flat-panel.
2. Use a pencil to mark the depth of the threaded insert on the small straw or toothpick.
3. Mark the straw or toothpick 1/8" above the depth of the threaded insert, as shown in Figure 1.
4. Insert the small straw or toothpick into the remaining threaded inserts to compare and verify their depth using the straw or toothpick's 1/8" allowance mark.
5. Locate the correct diameter screw for the threaded insert.
6. Test each size of the screws provided. The correct screws should thread easily into the mounting point and not pull out when tension is applied.



If the screw you selected is longer than the 1/8" allowance mark on the small straw or toothpick, as shown in Figure 2 and Figure 3, do not use this screw. The screw length must not bypass the mark.



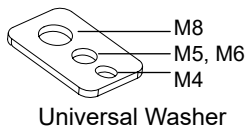
6

UNIVERSAL WASHER

Premier Mounts' Universal Washers are designed to accommodate the various M4, M5, M6 and M8 hole sizes required by display panels.



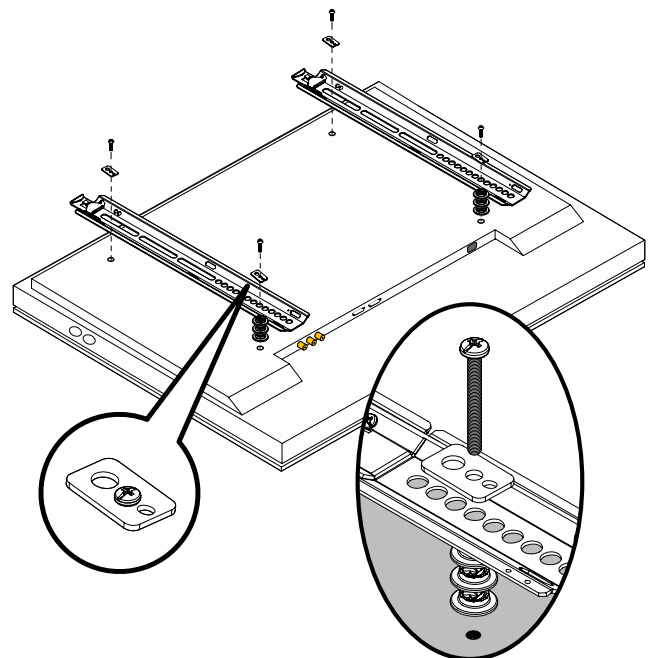
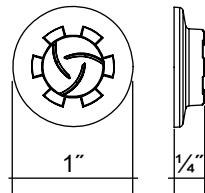
Do not place excessive pressure on the back of the flat panel, as this may damage your display panels.



Universal Washer

UNIVERSAL SPACER

Universal Spacers allow the user to attach the mounting bracket to display panels which have recessed or uneven mount points. Each Universal Spacer adds 1/4" to the distance between the mounting bracket and the display panel.

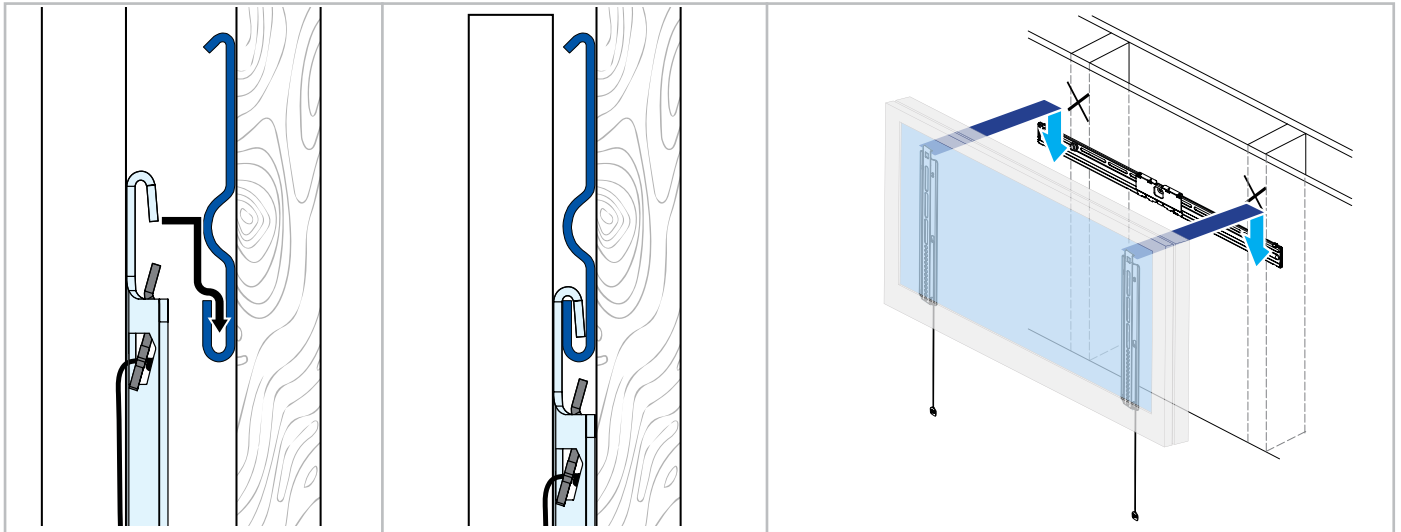


7

1. Hook the display brackets to the wall plate. The spring-loaded latch will engage and an audible “click” will be heard after the brackets are properly placed.
2. Adjust and cut the braided nylon pull cord, then secure the pull tab. Ensure that the pull tab is positioned at least 1 inch above the bottom of the mounting bracket.

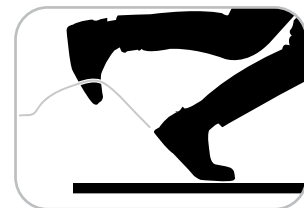
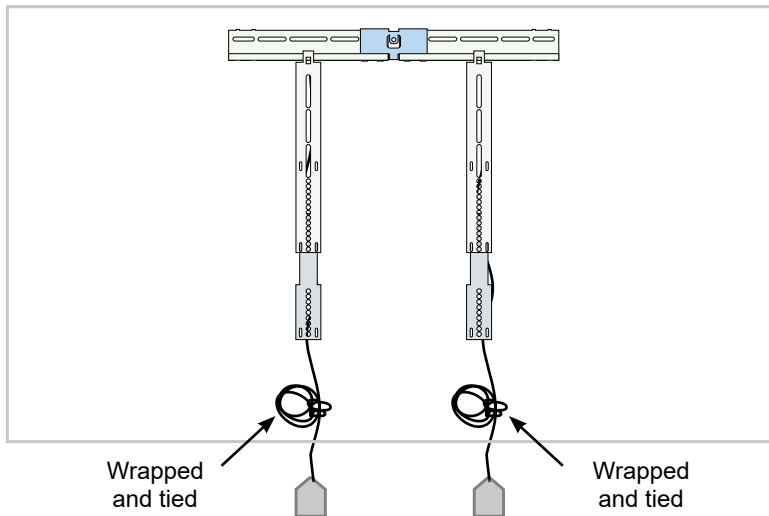


Do not release the display panel until **both** mounting brackets are completely engaged with the wallplate.



USE AND CARE

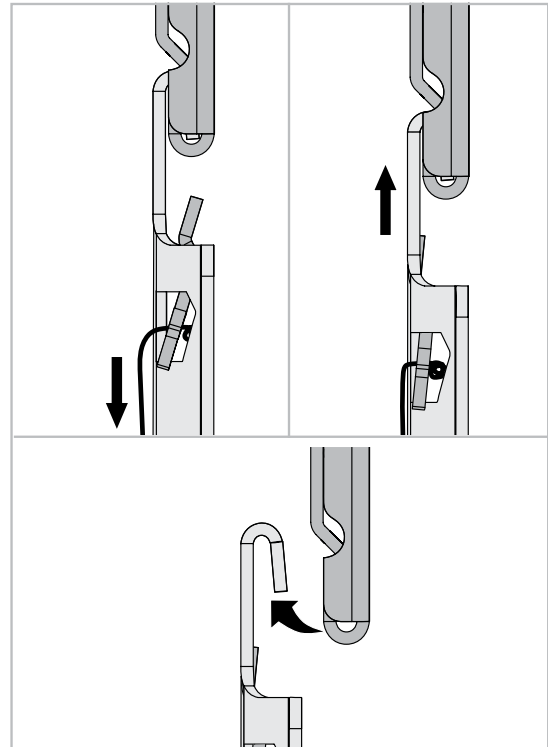
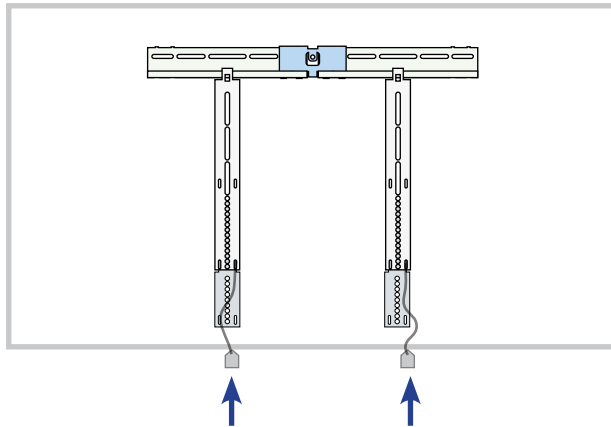
The nylon braided cord measures 80 inches in length. Cut the cord to the appropriate size to reach behind the display panel. Alternatively, the cord can be wrapped, tied, and tucked away behind the display.



WARNING
 Tripping Hazard

TO REMOVE THE DISPLAY PANEL

To remove the display panel, grasp the braided cords and pull them, then lift the display panel upward and away from the wall plate.



Premier Mounts Office

A 500 W Central Ave, STE A
Brea, CA 92821, USA

P 1-800-368-9700

E orders@premiermounts.com

W premiermounts.com



Gamber-Johnson World HQ

A 5001 Joerns DR
Stevens Point, WI 54481, USA

P 1-715-344-3482

F 1-715-344-5209

W gamberjohnson.com

