

PRODUCT DIMENSIONS

PART NUMBER: PP-TA2	DESCRIPTION: TRUSS MOUNT FOR 11.42" TO 12" TRUSS, 2" OD TUBING	WEIGHT (LBS): 9	RATING (LBS): 200
----------------------------	---	------------------------	--------------------------

NOTES:

- SUITABLE IN ALL THREE MOUNTING POSITIONS; **HORIZONTAL, VERTICAL, AND OVERHEAD.**
- COMPATIBLE WITH 11.42" [290MM] TO 12.00" [304.8MM], TRIANGULAR AND RECTANGULAR (BOX SQUARE) TRUSS.

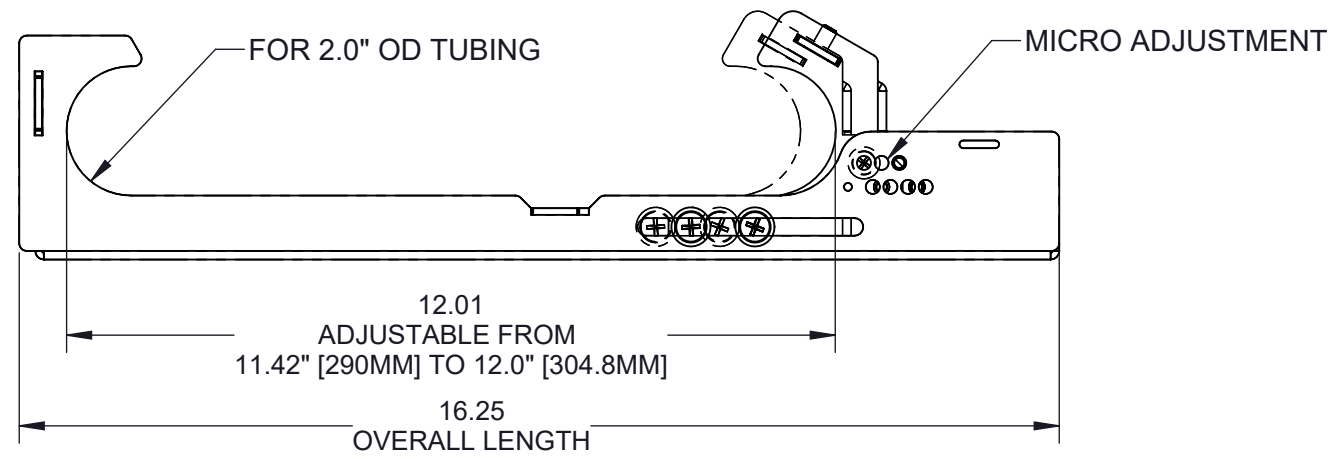
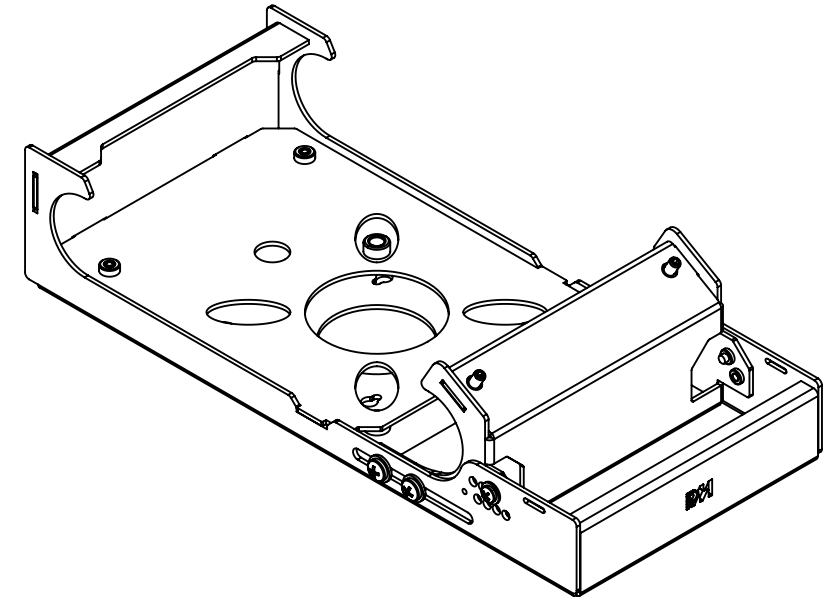
COMPATIBILITY:

WALL MOUNTS: CTM-MS1, CTM-MS2, CTM-MS3, PFDM2, PTDM2, SYM-IB-XXB

CEILING MOUNTS: PP-5, PP-5A, PP-6, PP-6A, AST-1321, AST-2446

PROJECTOR MOUNTS: PBC-UMS, PBC-UMW, PBL-UMS, PBL-UMW, PBM-UNI

VESA ADAPTER PLATE: UFP-280B, UFP-400



ATTACHES DIRECTLY TO 75X75 VESA
DISPLAY PANEL OR GREATER
(USING VESA ADAPTER PLATE)

3/8-16 BOLT PATTERN COMPATIBLE WITH
PREMIER WALL AND CEILING PRODUCTS

