







PM PPS-PTM | PPS-PTB

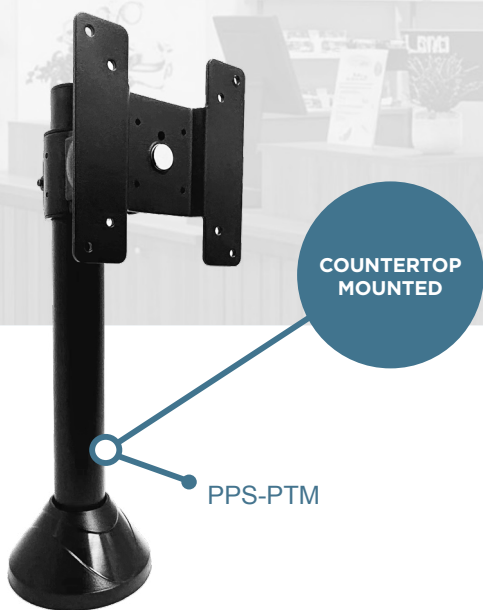
Enhance your point-of-sale experience with the PPS-PTM — a versatile, user-friendly terminal mount designed for 10”–21.5” monitors. Ideal for food service, retail, and event venues, this countertop solution delivers a clean, professional transaction experience for both staff and customers.

The **PPS-PTM** offers smooth height adjustment along with tilt, swivel, and rotation capabilities, allowing for perfect positioning and ease of use. It can be securely mounted directly to your countertop or paired with the optional PPS-PTB platform base for added flexibility and stability. The **PPS-PTB** base provides a robust surface ideal for glass countertops, delicate materials, or temporary setups like pop-up food and retail environments. It arrives ready to use — simply attach the PPS-PTM and you’re good to go!

FEATURES + BENEFITS



-  Integrated cable management keep your workspace tidy.
-  Tool-less height adjustability simplifies ease of use.
-  Turnkey design for fast and easy setup.
-  VESA Pattern 75mm x 75mm and 100mm x 100mm.
-  Tilts, swivels, and rotates to optimal viewing position.
-  Bolts directly to countertop or optional base.
-  Aesthetic cover compatibility.
-  Supports a range of monitor sizes from 10” – 21.5”.



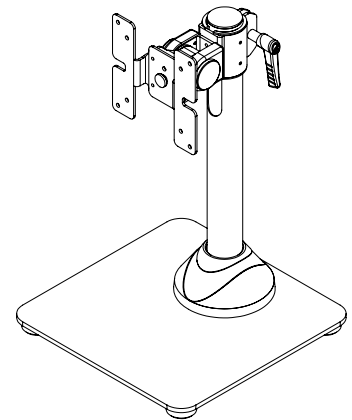
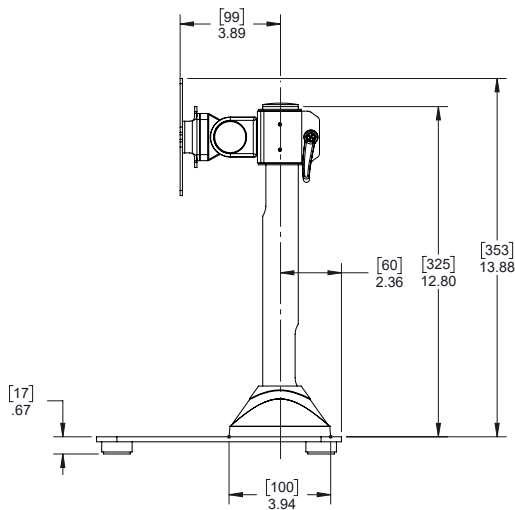
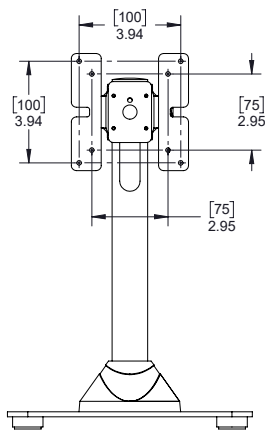
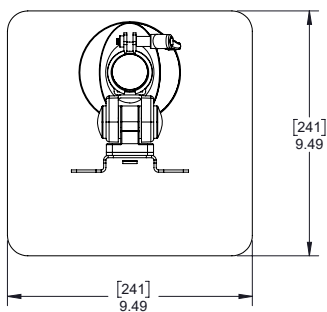


PRODUCT SPECIFICATIONS



PART #'s	PPS-PTM <i>Without Base</i>	PPS-PTM & PPS-PTB <i>With Base</i>
WIDTH	4.54 in. 11.53cm	9.49 in. 24.11cm
HEIGHT	13.88 in. 35.3cm	14.55 in. 36.96cm
DEPTH	5.84 in. 14.83cm	9.49 in. 24.11cm
WEIGHT CAPACITY	15 lbs. 6.8 kg	15 lbs. 6.8 kg
PRODUCT WEIGHT	2.8 lbs. 1.27 kg	8.3 lbs. 3.76kg
SHIPPING WEIGHT	4 lbs. 1.81kg	10.5 lbs. 4.76kg

CAD DRAWINGS



QUESTIONS? We're here to help! Contact us at, orders@premiermounts.com or give us a call at, **1.800.368.9700** for more information.