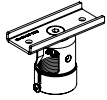
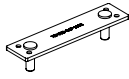


PP-UA / PP-UA2

Installation Guide



Adapter (Qty.1)



Inner Bracket (Qty.1)



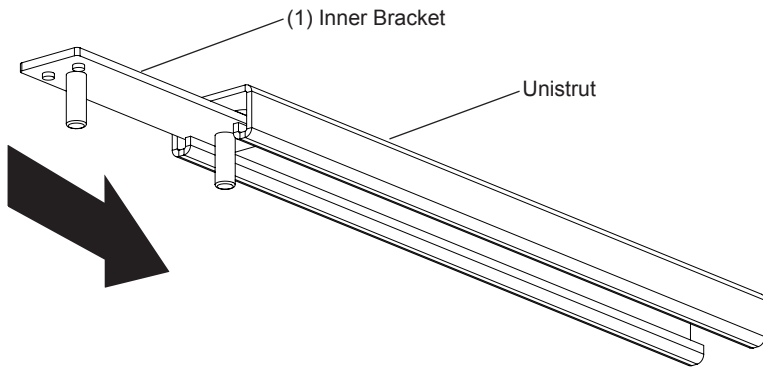
M8 Nylon Nut (Qty.2)



M8 Washer (Qty.2)

1

Slide the Inner Bracket into the Unistrut.



2

Install the adapter to the inner bracket using two (2) M8 washers and M8 nylon nuts.

