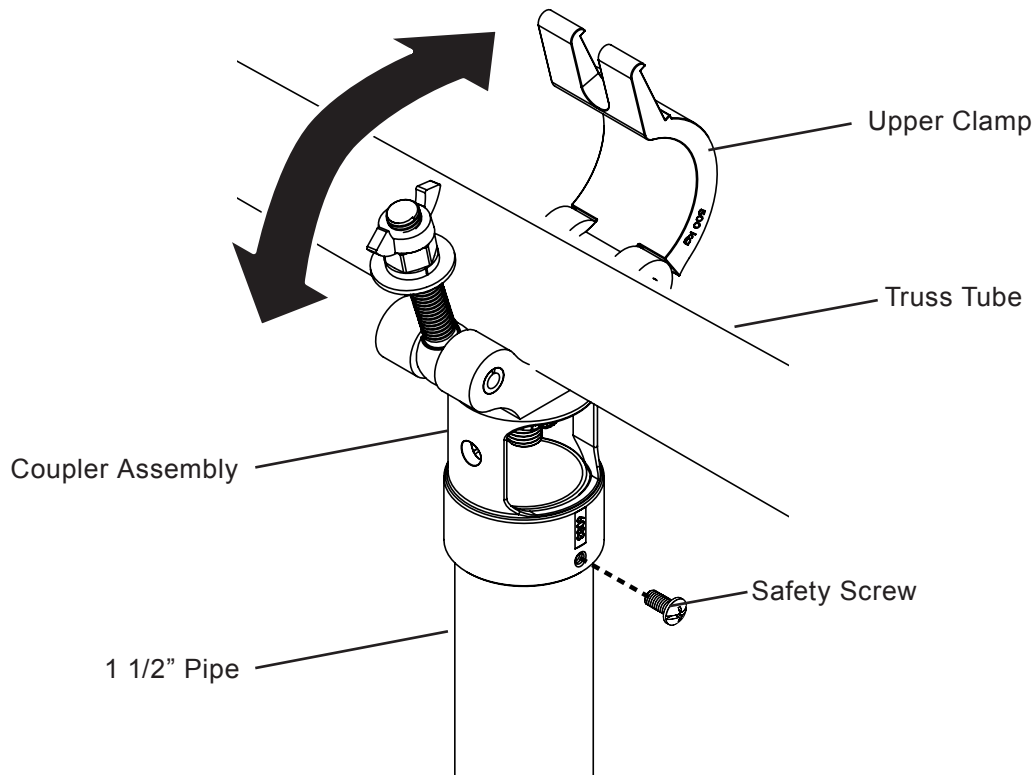


PCC-1-1-2 Installation Guide



Instructions

- 1) Loosen the cheeseborough clamp nut to fully open position.
- 2) Place the upper clamp body over the 1 1/2" or 2" ceiling truss tube and place the 1/2" clamp nut to secure the clamp assembly to the truss.
- 3) Once you have the PCC-1-1-2 at the desired position on the truss tube firmly tighten the 1/2" clamp nut to secure the clamp assembly to the truss.
- 4) Thread the mating 1 1/2" Pipe fully into the coupler assembly.
- 5) Secure the pipe to the coupler assembly by installing the safety screw.
- 6) Recheck all mating points for security of install.

