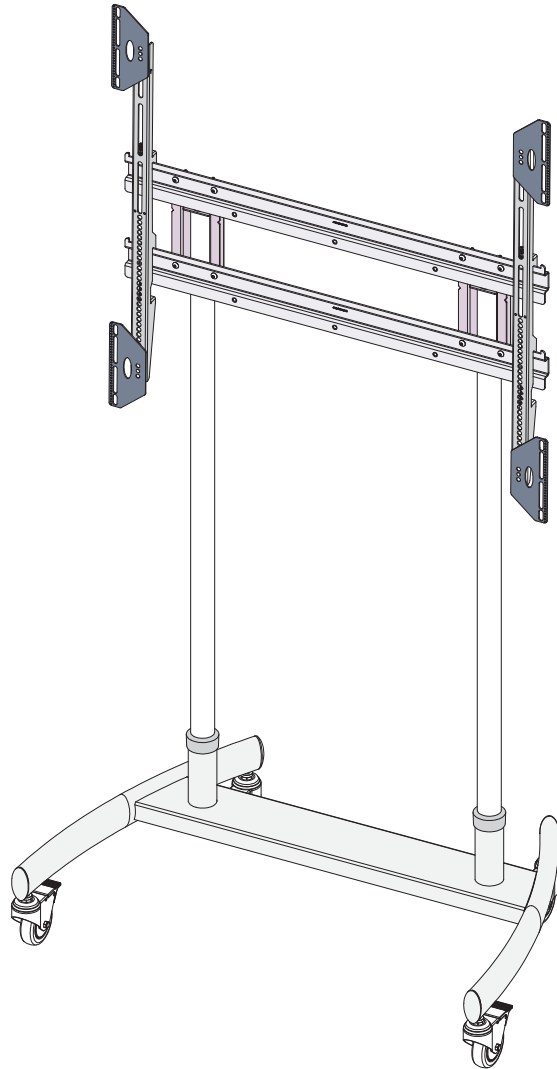


Maximum Flat Panel Weight:
300 lb. / 136 kg.

LFC-L / LFC-LB

INSTALLATION GUIDE

Large Format Cart up to
300lbs/136kg Flat Panel Display



Leveling Feet Option










LFC-L / LFC-LB

Installation Guide

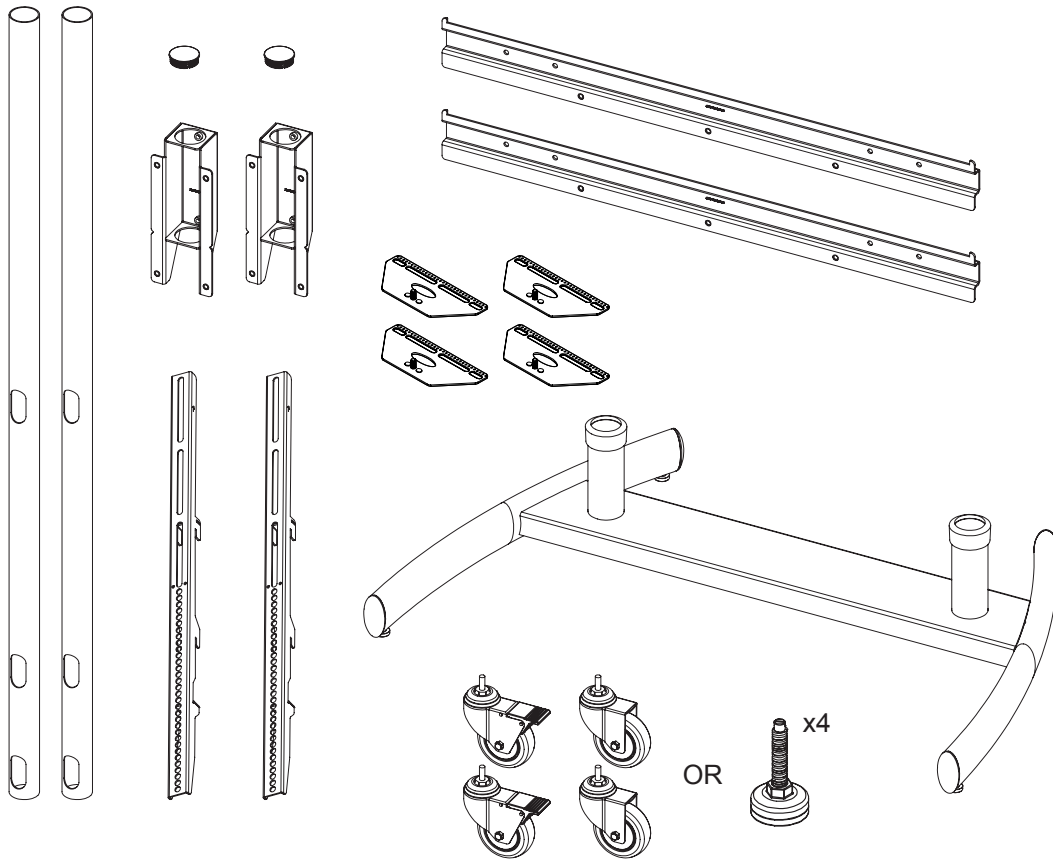
Maximum Weight Capacity: **300 lbs.**

CAUTION STATEMENT

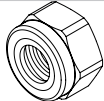
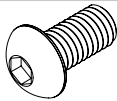
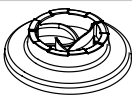


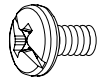

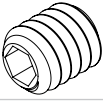
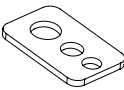


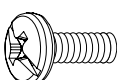
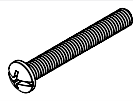



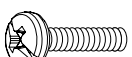
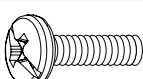
-  PREMIER MOUNTS DOES NOT WARRANT AGAINST DAMAGE CAUSED BY THE USE OF ANY PREMIER MOUNTS PRODUCT FOR PURPOSES OTHER THAN THOSE FOR WHICH IT WAS DESIGNED OR DAMAGE CAUSED BY UNAUTHORIZED ATTACHMENTS OR MODIFICATIONS, AND IS NOT RESPONSIBLE FOR ANY DAMAGES, CLAIMS, DEMANDS, SUIT ACTIONS OR CAUSES OF ACTION OF WHATEVER KIND RESULTING FROM, ARISING OUT OF OR IN ANY MANNER RELATING TO ANY SUCH USE, ATTACHMENTS OR MODIFICATIONS.
-  THE FLOOR MUST BE CAPABLE OF SUPPORTING AT LEAST 300 LBS. IF NOT; THE FLOOR STRUCTURE MUST BE REINFORCED. PROPER INSTALLATION PROCEDURE BY A QUALIFIED SERVICE TECHNICIAN, AS OUTLINED IN THE INSTALLATION INSTRUCTIONS, MUST BE ADHERED TO. FAILURE TO DO SO COULD RESULT IN SERIOUS PERSONAL INJURY, OR EVEN DEATH.
-  SAFETY MEASURES MUST BE PRACTICED AT ALL TIMES DURING THE ASSEMBLY OF THIS PRODUCT. USE PROPER SAFETY GEAR AND TOOLS FOR THE ASSEMBLY PROCEDURE TO PREVENT PERSONAL INJURY.
-  PRIOR TO THE INSTALLATION OF THIS PRODUCT, THE ASSEMBLY INSTRUCTIONS SHOULD BE READ AND COMPLETELY UNDERSTOOD. THE ASSEMBLY INSTRUCTIONS MUST BE READ TO PREVENT PERSONAL INJURY AND PROPERTY DAMAGE. KEEP THESE ASSEMBLY INSTRUCTIONS IN AN EASILY ACCESSIBLE LOCATION FOR FUTURE REFERENCE.
-  Do not install on a structure that is prone to vibration, movement or chance of impact. Failure to do so could result in damage to the plasma display and/or damage to the mounting surface.
-  Do not install near heater, fire place, direct sunlight, air conditioning or any other source of direct heat energy. Failure to do so may result in damage to the display and could increase the risk of fire.
-  At least two qualified people should perform the assembly procedure. Injury and/or damage can result from dropping or mishandling the display.



CORE COMPONENTS:



INSTALLATION HARDWARE:

					
M8 Lock Nut (Qty 4)	M8 x 16mm Button Hex (Qty 8)	Universal Spacers (Qty 8)	M4 x 12mm (Qty 4)	M6 x 12mm (Qty 4)	M8 x 12mm (Qty 4)
					
M8 Washer (Qty 4)	M8 x 12mm Set Screw (Qty 8)	Universal Washers (Qty 4)	M4 x 16mm (Qty 4)	M6 x 16mm (Qty 4)	M8 x 16mm (Qty 4)
					
M6 x 45mm Pan Head (Qty 4)	Thread Depth Indicator (Qty 1)	M5 & M4 Hex Key (Qty 1 per)	M4 x 25mm (Qty 4)	M6 x 25mm (Qty 4)	M8 x 25mm (Qty 4)



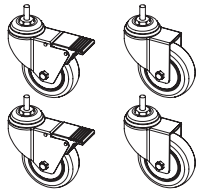
LFC-L / LFC-LB

Installation Guide

INSTALL THE CASTERS / LEVELING FEET

1

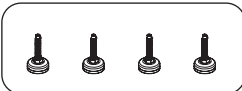
Use 21mm wrench to install a pair of (L) locking and (NL) non-locking casters or four leveling feet.



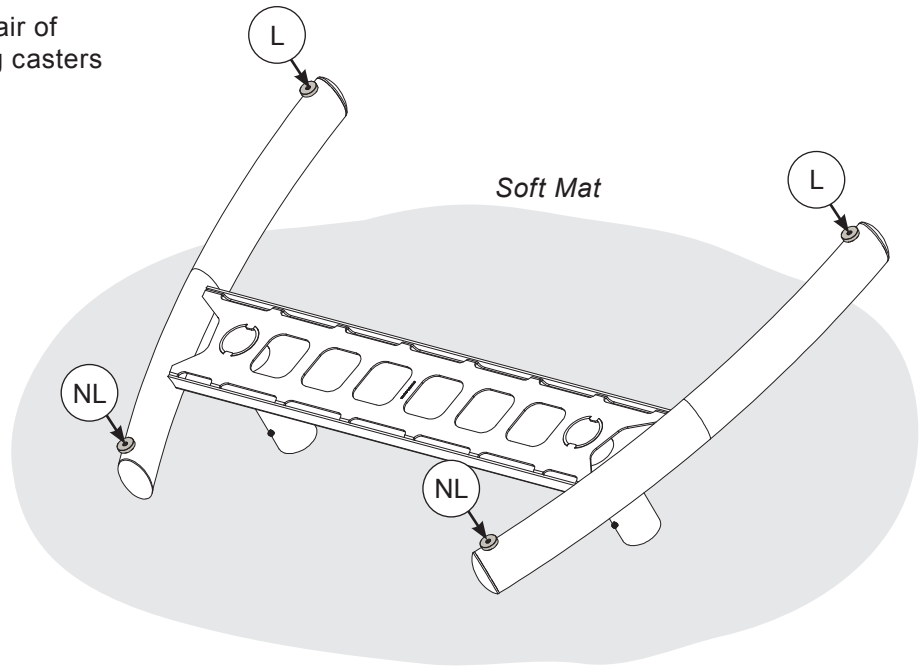
3/8"-16 threaded casters

OR

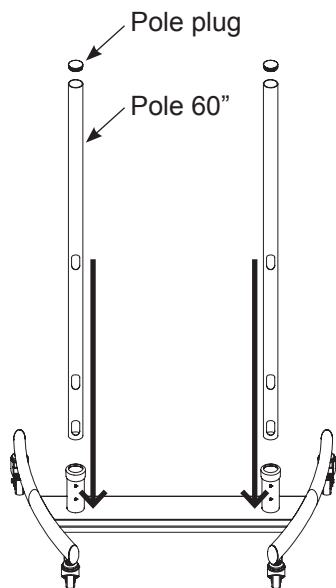
Leveling Feet Option



Notes: caster or leveling feet option may vary by model number.

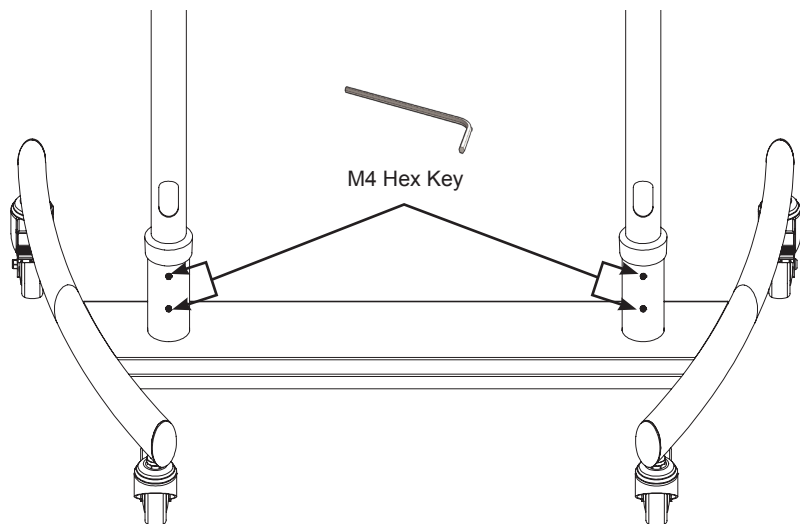


2



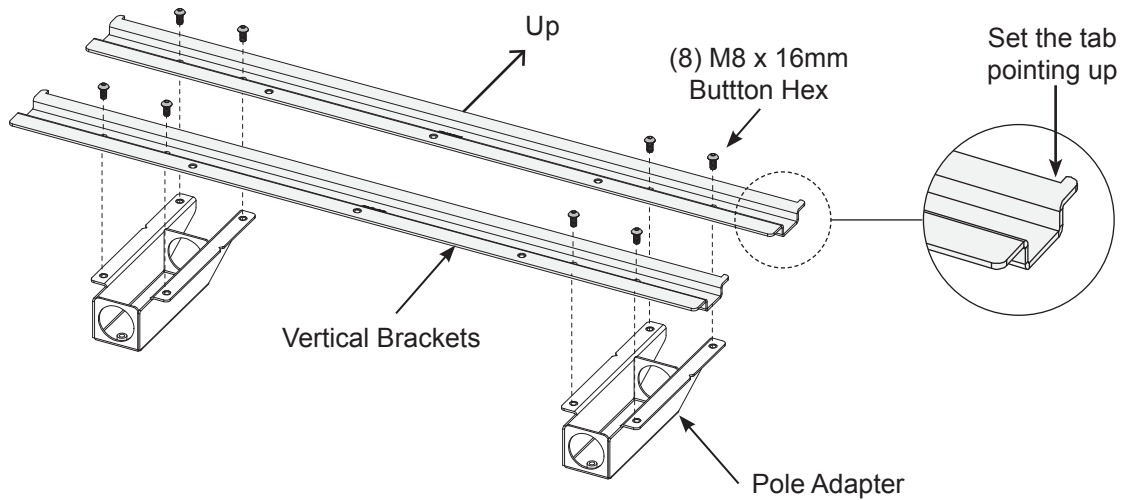
(Cable access facing to the rear)

Insert (4) M8 x 12mm set screws at the location shown below then tighten using a M4 Hex key.



3

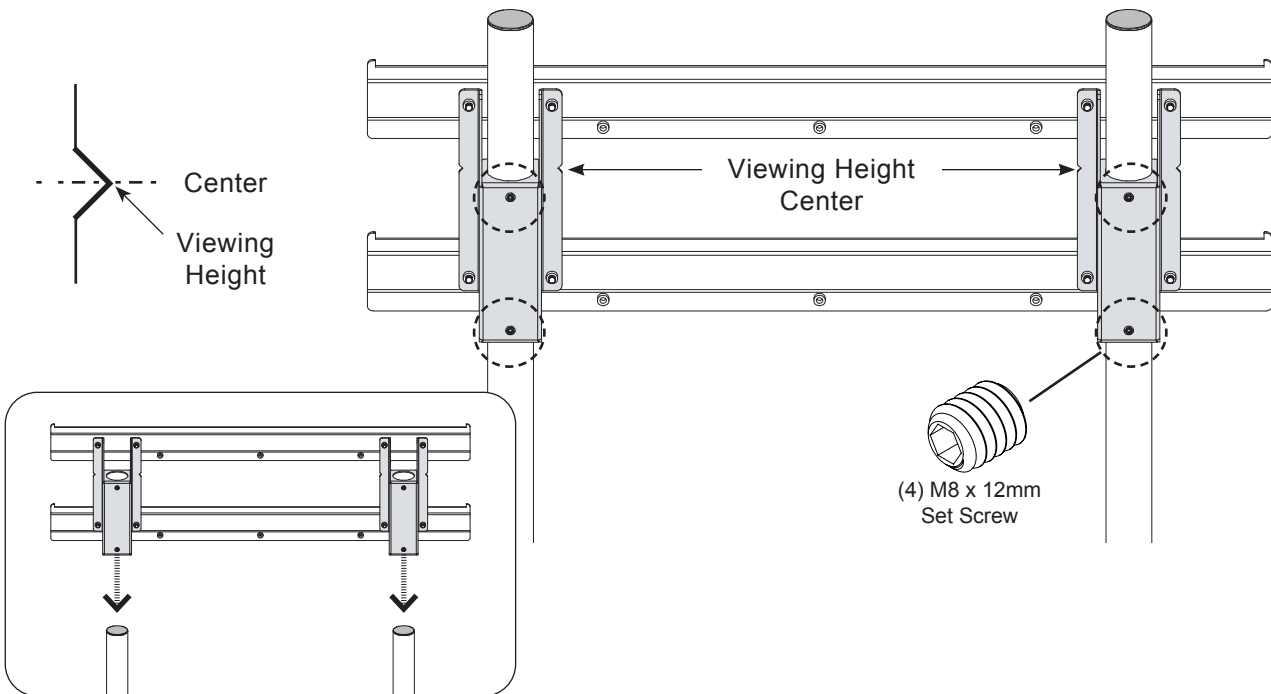
ASSEMBLE THE POLE ADAPTER TOGETHER



4

MOUNT THE POLE ADAPTER

Insert (4) M8 x 12mm set screws at the location shown, raise or lower the mount to desired height, and below then tighten using a M4 Hex key.

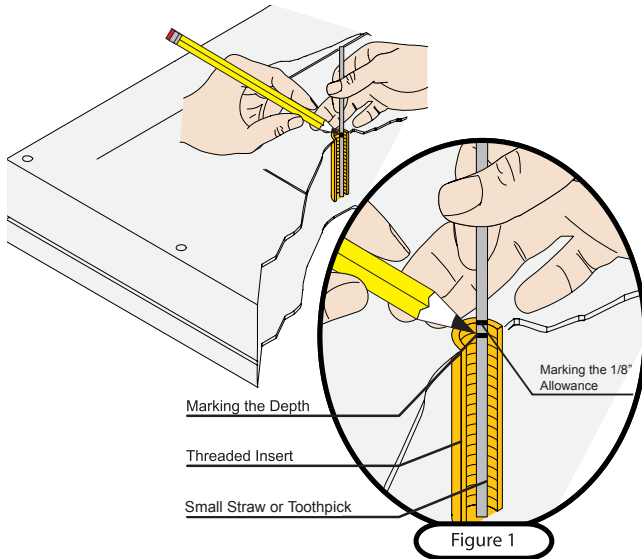


LFC-L / LFC-LB

Installation Guide

5

SELECTING THE MOUNTING HARDWARE

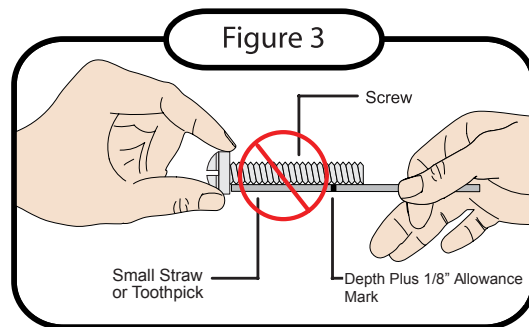
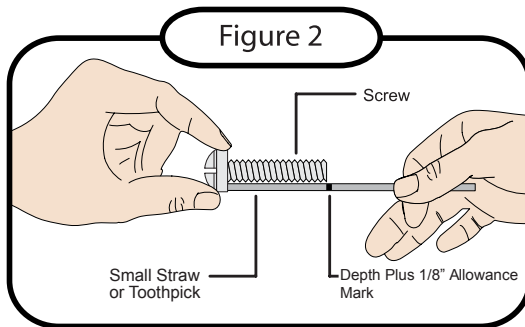


- 1) Insert a small straw or toothpick into the threaded inserts found on the back of the flat-panel.
- 2) Use a pencil to mark the depth of the threaded insert on the small straw or toothpick.
- 3) Mark the straw or toothpick 1/8" above the depth of the threaded insert, as shown in Figure 1.
- 4) Insert the small straw or toothpick into the remaining threaded inserts to compare and verify their depth using the straw or toothpick's 1/8" allowance mark.
- 5) Locate the correct diameter screw for the threaded insert.



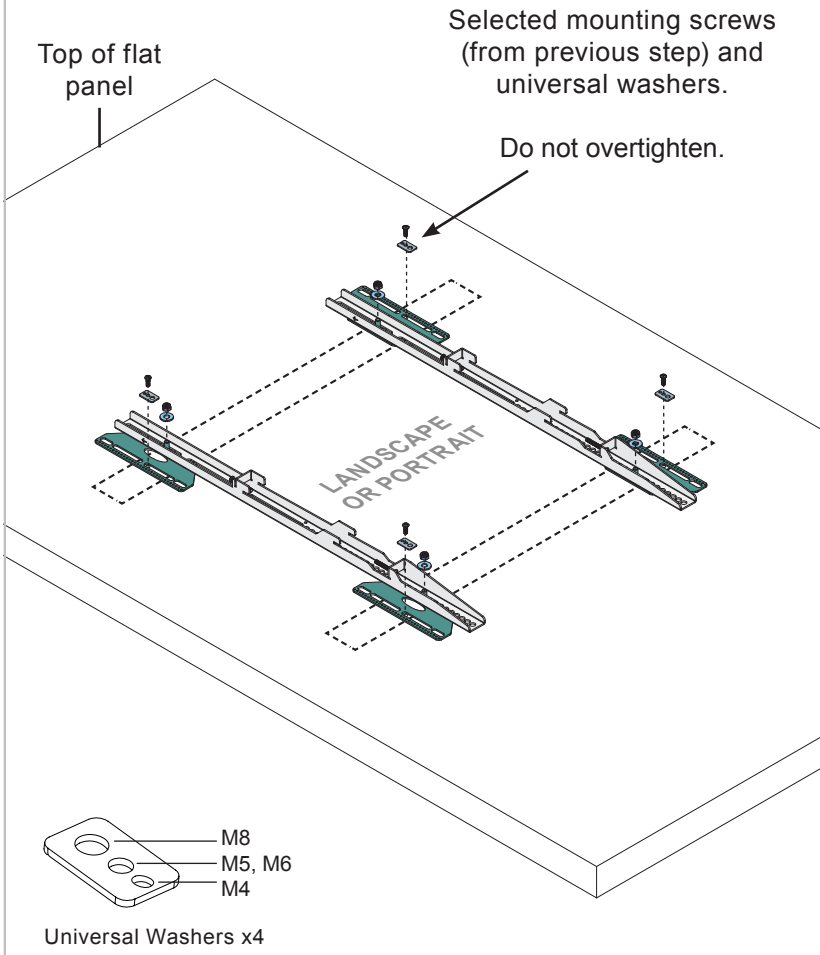
If the screw you selected is longer than the 1/8" allowance mark on the small straw or toothpick, as shown in Figure 2 and Figure 3, do not use this screw. The screw length must not bypass the mark.

- 6) Test each size of the screws provided.
The correct screws should thread easily into the mounting point and not pull out when tension is applied.

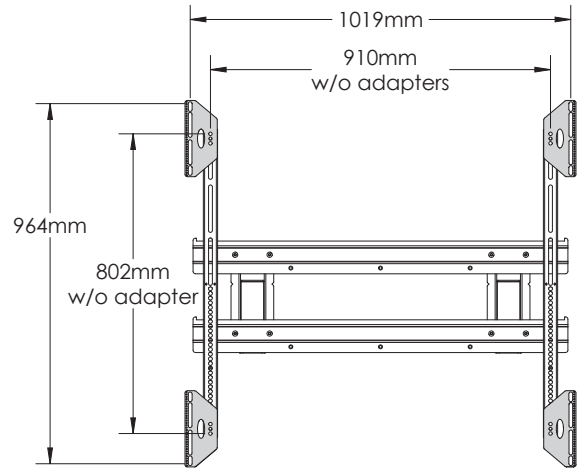


4

INSTALL THE MOUNTING BRACKETS

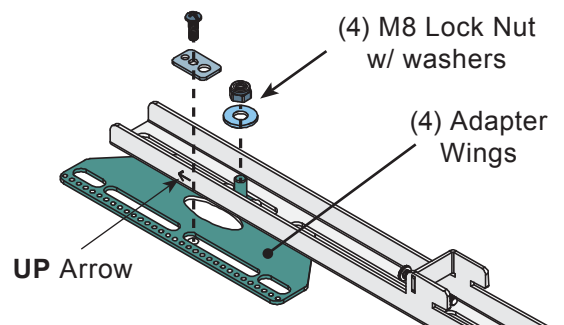


EXTENSION ADAPTER WINGS



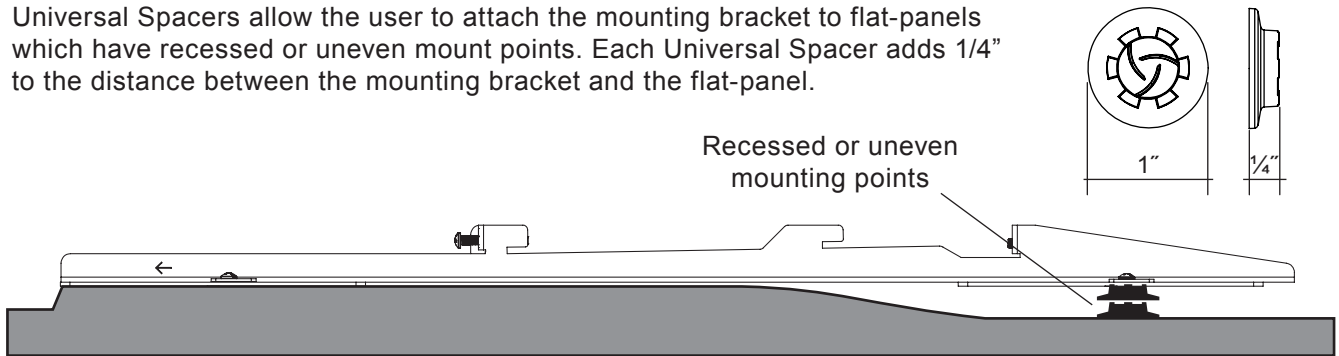
Max Mounting Pattern

Install the **optional** adapter wings to make accommodations for various mounting patterns.



USE ADDITIONAL UNIVERSAL SPACERS TO FILL UNEVEN GAPS

Universal Spacers allow the user to attach the mounting bracket to flat-panels which have recessed or uneven mount points. Each Universal Spacer adds 1/4" to the distance between the mounting bracket and the flat-panel.

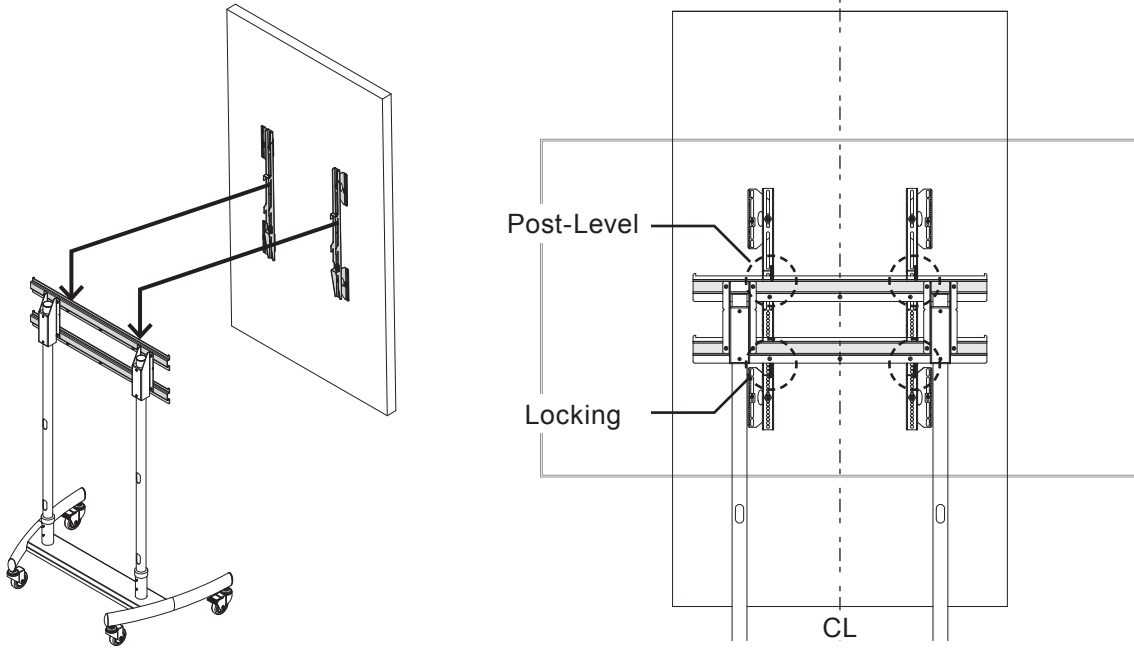


LFC-L / LFC-LB

Installation Guide

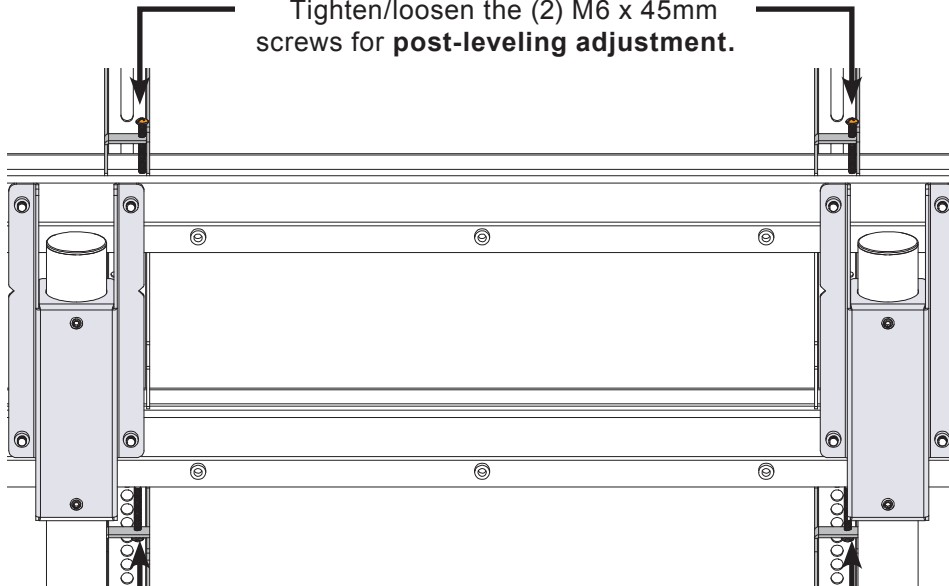
7

MOUNT THE FLAT-PANEL DISPLAY AND CENTER THE MOUNT



STEP 1:

Tighten/loosen the (2) M6 x 45mm screws for **post-leveling adjustment**.

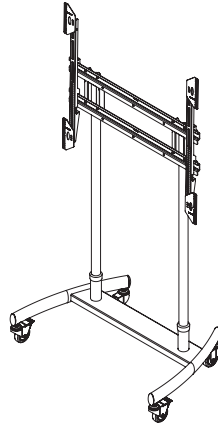
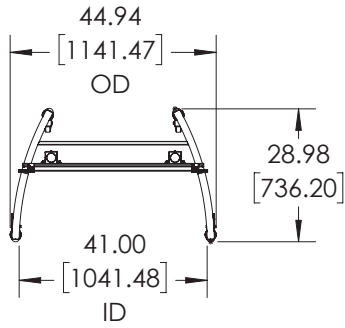


STEP 2:

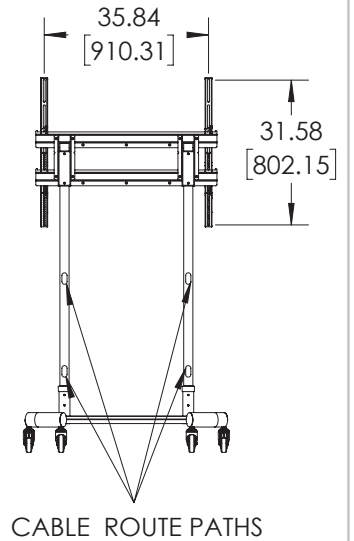
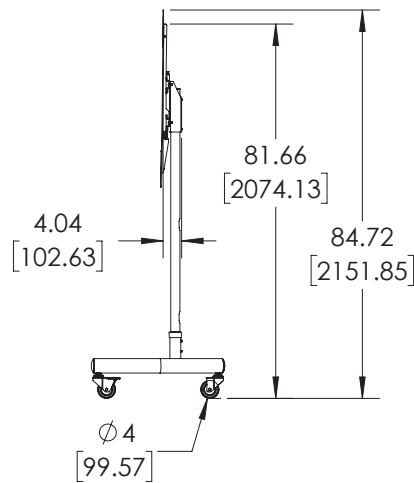
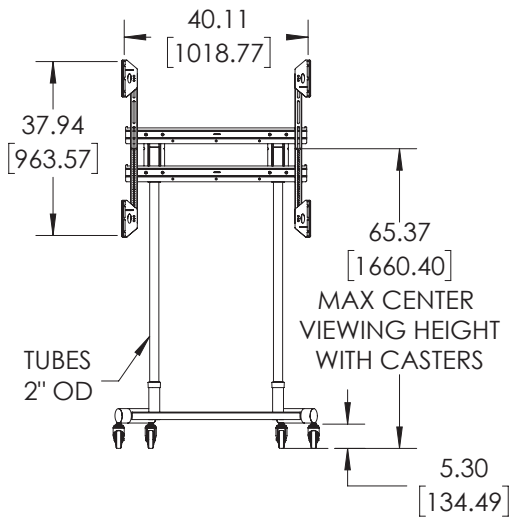
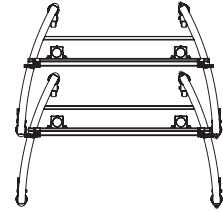
Install (2) M6 x 45mm screws to securely lock the mount firmly in place.



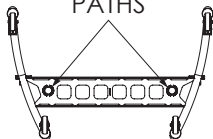
PRODUCT DIMENSION



(NESTING CAPABILITY)



CABLE ROUTE PATHS



PREMIER MOUNTS LIMITED LIFETIME WARRANTY

What and Who is Covered by this Limited Lifetime Warranty

Premier Mounts warrants all mounting products to be free from defects in material and workmanship for the lifetime of the original installation of the product.

What Premier Mounts Will Do

At the sole option of Premier Mounts, Premier Mounts will repair or replace any product or product part that is defective. If Premier Mounts chooses to replace a defective product or part, a replacement product or part will be shipped to you at no charge, but you must pay any related labor costs.

What is Not Covered: Limitations

Premier Mounts disclaims any liability for damage to mounts, adapters, displays, projectors, other property, or personal injury resulting, in whole or in part, from improper installation, modification, use or misuse of its products.

NOTWITHSTANDING ANYTHING TO THE CONTRARY IN THIS WARRANTY, THIS WARRANTY IS LIMITED TO FIVE YEARS FROM THE DATE OF PURCHASE IN THE EVENT THAT THE WARRANTED PRODUCT IS COMMERCIALY RENTED OUT.

Electrical products and components, such as amplifiers, speakers, motors, switches remote controls and related electrical items, are backed by a 3-year warranty.

Premier Mounts disclaims all other warranties, express or implied, including warranties of merchantability and fitness for a particular purpose. Premier Mounts is not responsible for incidental or consequential damages, including but not limited to, inability to use its products or labor costs for removing and replacing defective products or parts. Some states do not allow the exclusion or limitation of incidental or consequential damages, so the above limitation or exclusion may not apply to you.

What Customers Must Do for Warranty Service

If you discover a problem that you think may be covered by the warranty, you must report it in writing to the address below within thirty (30) days. Proof of purchase (an original sales receipt) from the original consumer purchaser must accompany all warranty claims. Warranty claims must also include a description of the problem, the purchaser's name, address, and telephone number. General inquiries can be addressed to Premier Mounts Customer Service at 1-800-368-9700. Warranty claims will not be accepted over the phone or by fax.

PREMIER MOUNTS

ATTN: Warranty Claims

500 W Central Ave, Suite A
Brea, CA 92821

How State Law Applies

This warranty gives you specific legal rights, and you may also have other rights which vary from state to state.

Premier Mounts intends to make this manual accurate and complete. However, Premier Mounts makes no claim that the information contained herein covers all details, conditions or variations, nor does it provide for every possible contingency in connection with the installation or use of this product. The information contained in this document is subject to change without notice or obligation of any kind. Premier Mounts makes no representation of warranty, expressed or implied, regarding the information contained herein. Premier Mounts assumes no responsibility for accuracy, completeness or sufficiency of the information contained in this document.

©PREMIER MOUNTS

500 W Central Ave, Suite A
Brea, CA 92821

USA & CANADA

Phone: 800-368-9700

Fax: 800-832-4888

e. orders@premiermounts.com

