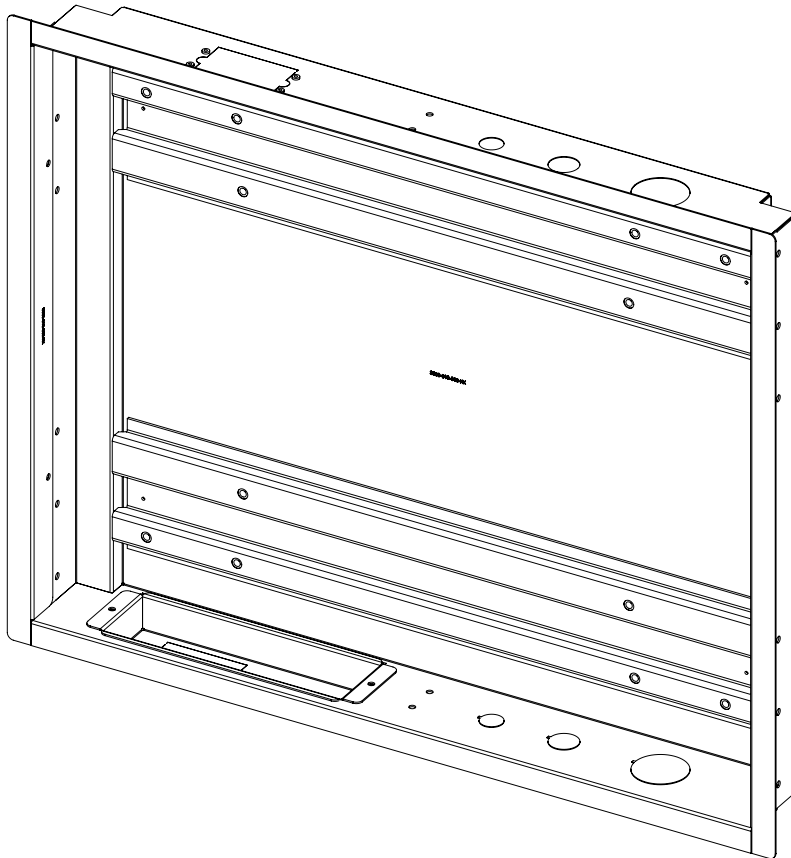


INW-AM325

INSTALLATION GUIDE




In-Wall Box for AM100, AM175,
AM300, and AM300-B




INW-AM325


Installation Guide


Warning Statements


-  **ELECTRICAL SHOCK HAZARD!** Cutting or drilling into electrical wires and cables can cause **DEATH** or **SERIOUS PERSONAL INJURY!** Always make certain the area behind the mounting surfaces is free of electrical wires and cables before cutting, drilling, or installing the in-wall box.
-  **EXPLOSION AND FIRE HAZARD!** Cutting or drilling into gas plumbing can cause **DEATH** or **SERIOUS PERSONAL INJURY!** Always make certain the area behind the mounting surface is free of gas, water, waste, or any other plumbing before cutting, drilling, or installing the in-wall box.
-  **STRUCTURAL FAILURE HAZARD!** Ensure removal of center stud will not cause unacceptable loss of structural strength. Consult a qualified building contractor and applicable building codes. Failure to take adequate precautions can cause **DEATH** or **SERIOUS PERSONAL INJURY!**


 **THE WALL STRUCTURAL MUST BE CAPABLE OF SUPPORTING AT LEAST A MINIMUM WEIGHT OF 300 LBS. IF NOT, THE WALL MUST BE REINFORCED. PROPER INSTALLATION PROCEDURE BY A QUALIFIED SERVICE TECHNICIAN, AS OUTLINED IN THE INSTALLATION INSTRUCTIONS, MUST BE ADHERED TO. FAILURE TO DO SO COULD RESULT IN SERIOUS PERSONAL INJURY, OR EVEN DEATH.**


 **SAFETY MEASURES MUST BE PRACTICED AT ALL TIMES DURING THE INSTALLATION OF THIS PRODUCT. USE PROPER SAFETY GEAR AND TOOLS FOR THE INSTALLATION PROCEDURE TO PREVENT PERSONAL INJURY.**


 **PRIOR TO THE INSTALLATION OF THIS PRODUCT, THE INSTALLATION INSTRUCTIONS SHOULD BE READ AND COMPLETELY UNDERSTOOD. THE INSTALLATION INSTRUCTIONS MUST BE READ TO PREVENT PERSONAL INJURY AND PROPERTY DAMAGE. KEEP THESE INSTALLATION INSTRUCTIONS IN AN EASILY ACCESSIBLE LOCATION FOR FUTURE REFERENCE.**


 Safety precautions must be taken at all times.


 Warning and Cautions statements.

 A secure structure must support the weight, or load, of the display. When mounting to a wall that contains wooden studs, dead center of the wooden stud must be confirmed prior to installation.

 Do not install on a structure that is prone to vibration, movement or chance of impact. Failure to do so could result in damage to the display and /or damage to the mounting surface.

 Do not install near heater, fireplace, direct sunlight, air conditioning or any other source of direct heat energy. Failure to do so may result in damage to the display and could increase the risk of fire.

 At least two qualified people should perform the installation procedure. Injury and/or damage can result from dropping or mishandling the display.

 Recommended mounting surfaces: wooden studs and solid-flat concrete. If the mount is to be installed on any surface other than wooden studs, use suitable hardware (which is commercially available).

 Contact Premier Mounts with any questions.



INW-AM325

Installation Guide

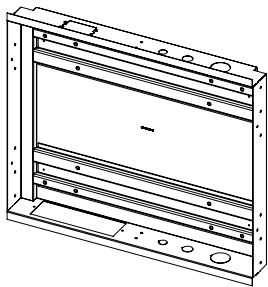


This mounting box is shipped with all installation hardware and components. Make sure that none of these parts are missing and/or damaged before beginning installation. If there are parts missing and/or damaged, please stop and correct Premier Mounts - (800) 368-9700

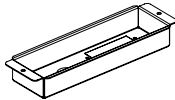


It is strongly recommended that licensed electrician supply wire and power to the INW-AM325. Pre-wiring must be complete prior to installing the inwall box.

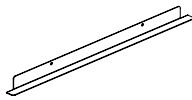
Included Components



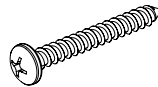
In Wall Box
(Qty 1)



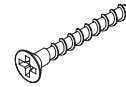
Electrical Box
(Qty 1)



Side Cover
(Qty 2)



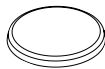
#14 x 1 1/4" Pan Head
Wood Screw (Qty 16)



#8 x 1 1/4" Flat Head
Wood Screw (Qty 4)



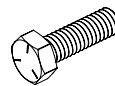
6/32 x 1/2" screw
(Qty 6)



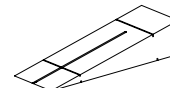
Clear Bumper
(Qty 4)



Split Lock Washer
(Qty 8)

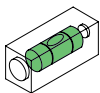


5/16 x 3/4" Hex
Screw (Qty 8)

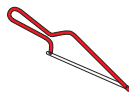


Wood Shim
(Qty 14)

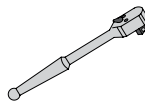
Required for installation



Level



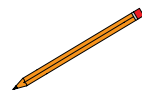
Drywall Saw



Socket Wrench



14mm Socket



Pencil



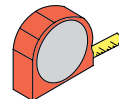
Drill



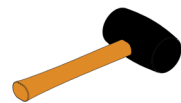
Stud Finder



Phillips Screwdriver



Tape Measure



Rubber Mallet



INW-AM325

Installation Guide

Mounting Location

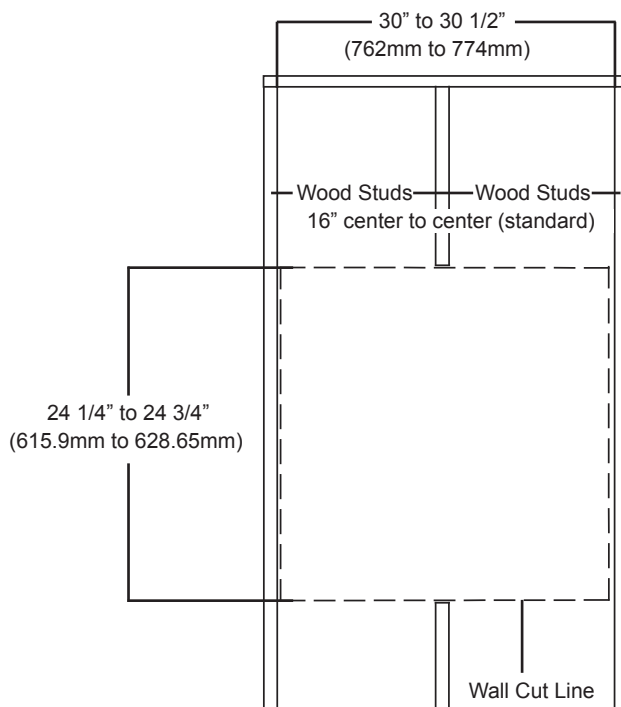


Always make certain the area behind the mounting surface is free of electrical wires, cables, and pipes before cutting, drilling, or installing the mounting screws.



It is strongly recommended that licensed electrician supply wire and power to the in-wall mounting box. Prior to installation, please complete all wiring and allow for the appropriate amount of slack.

Wall Cut-Out

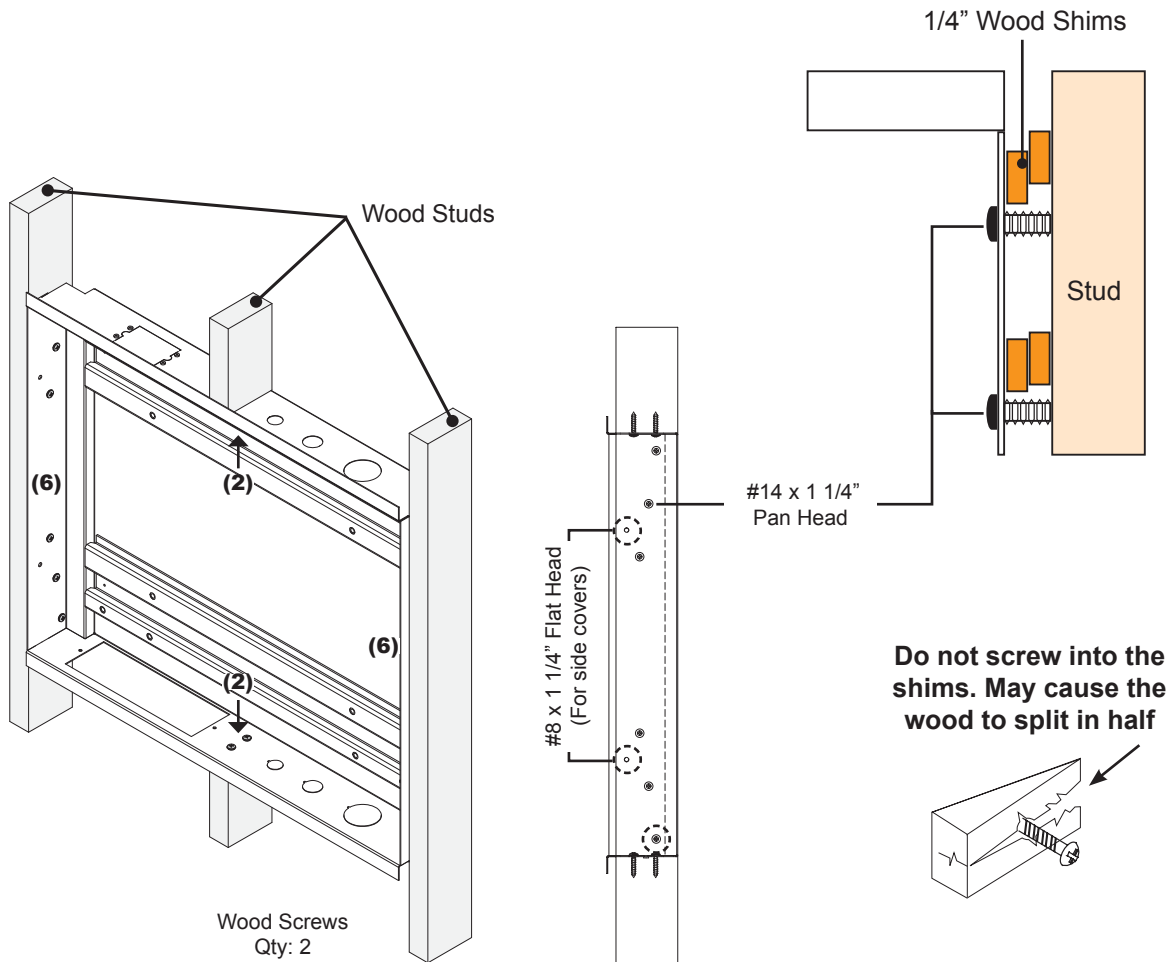


Take the necessary precautions before proceeding when come into contact with electrical wires, plumbing, and insulation.

- 1) Determine where the location of the mount/display.
- 2) Use a stud finder (commercially available) to locate the edge of the wood stud. Mark the with a pencil.
- 3) Draw the cut line using the dimensions shown above. Use the housing of the inwall box as a template for ease of installation.
- 4) Cut the drywall and carefully remove the excess drywall and center stud. The cut must be square and parallel along the vertical wall stud.



Installing the Inwall Box



- 1) Place the inwall box into the opening.
- 2) Use 1/4" wood shims roughly near each mounting location on either side between the inwall box and wood studs.
- 3) Install the (16) #14 x 1 1/4" pan head wood screws into the mounting points and tighten down all wood screws. Do not over tighten screws.



All existing wires must be moved and anchored to either side of the mounting area.



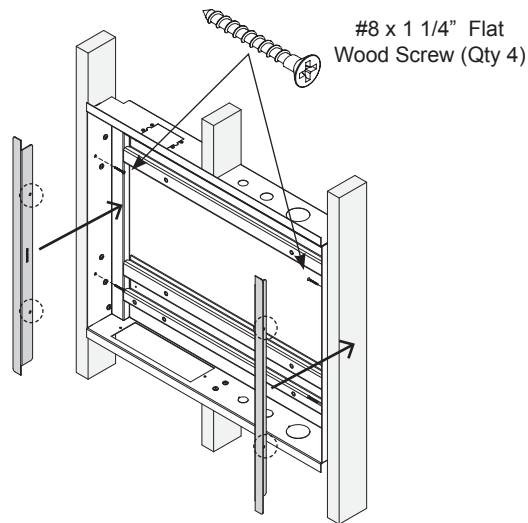
Install as many wood shims to help the unit centered and leveled when tightened down.



INW-AM325

Installation Guide

Side Cover Installation



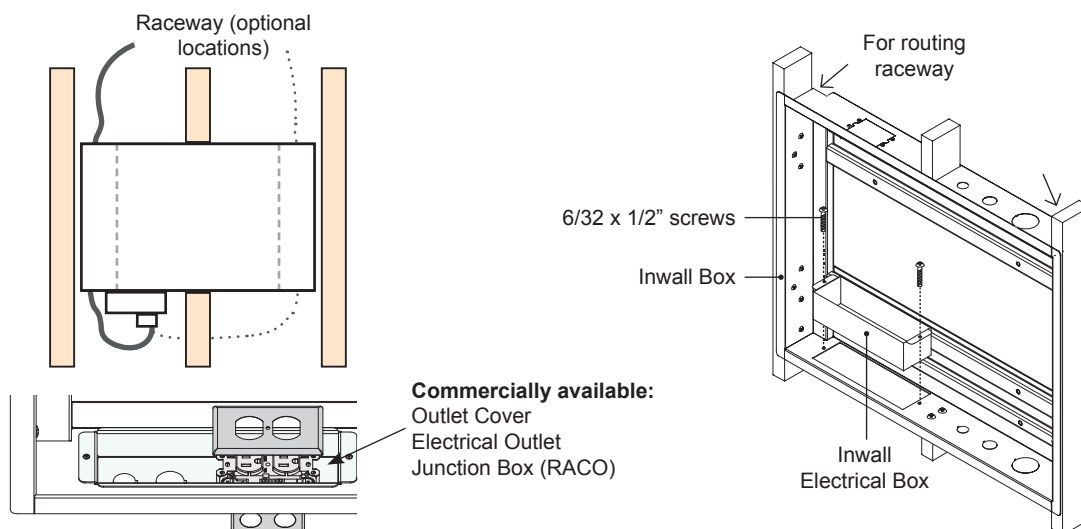
- 1) Slide the side covers and aligned the mounting holes of the side covers and inwall box.
- 2) Fasten using four (4) #8 x 1 1/4" Flat Head wood screws and tighten.

In-Wall Electrical Box Installation



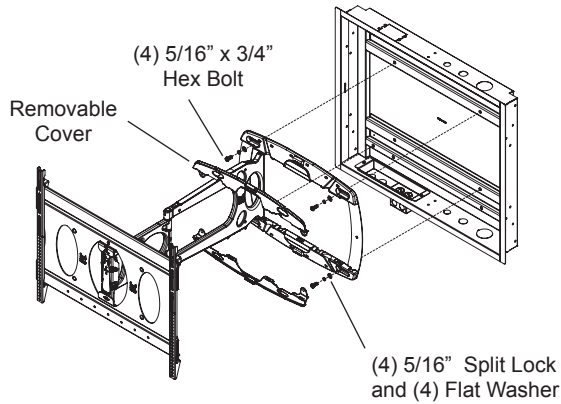
Pre-wiring must be complete prior to installing the inwall box. Wiring can be routed along the raceway as shown. The electrical box knockout is sized to accommodate standard RACO junction box.

- 1) Install the electrical box to the inwall box using two (2) 6/32 x 1/2" screws.
- 2) The remaining 6/32 x 1/2" screws will be used to attaching the electrical outlet to the junction box.

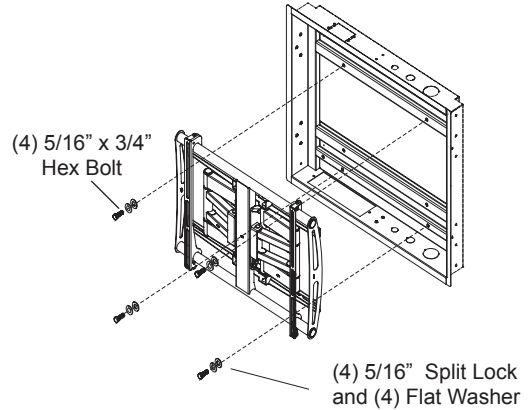


AM100 / AM175 / AM300 / AM300-B Installation

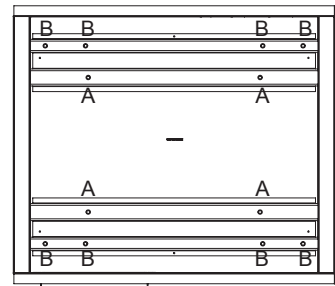
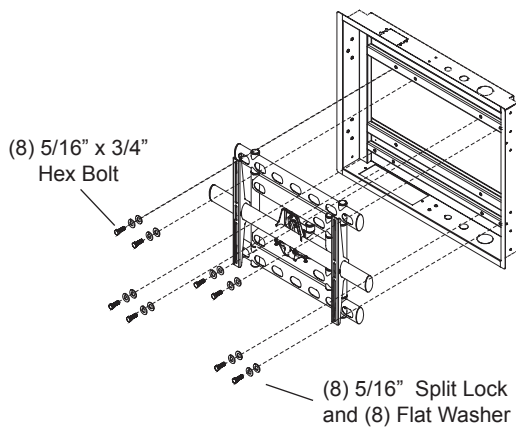
AM100



AM175



AM300 / AM300-B



A - AM100/AM175
B - AM300/AM300-B

- 1) Install the respective mount using (4) or (8) 5/16" x 3/4" hex head screws, split lock washers, and flat washers to the inwall box.
Note: 5/16" Flat washers are from the mount's hardware kit.
- 2) Tighten using a socket wrench.



AM100 / AM175 / AM300 / AM300-B installation manuals must be read in conjunction with the following steps.



Place four (4) 1/6" clear bumpers on the mount where the mount comes into contact with either the wall surface or the inwall box.



INW-AM325

Installation Guide

Special Applications

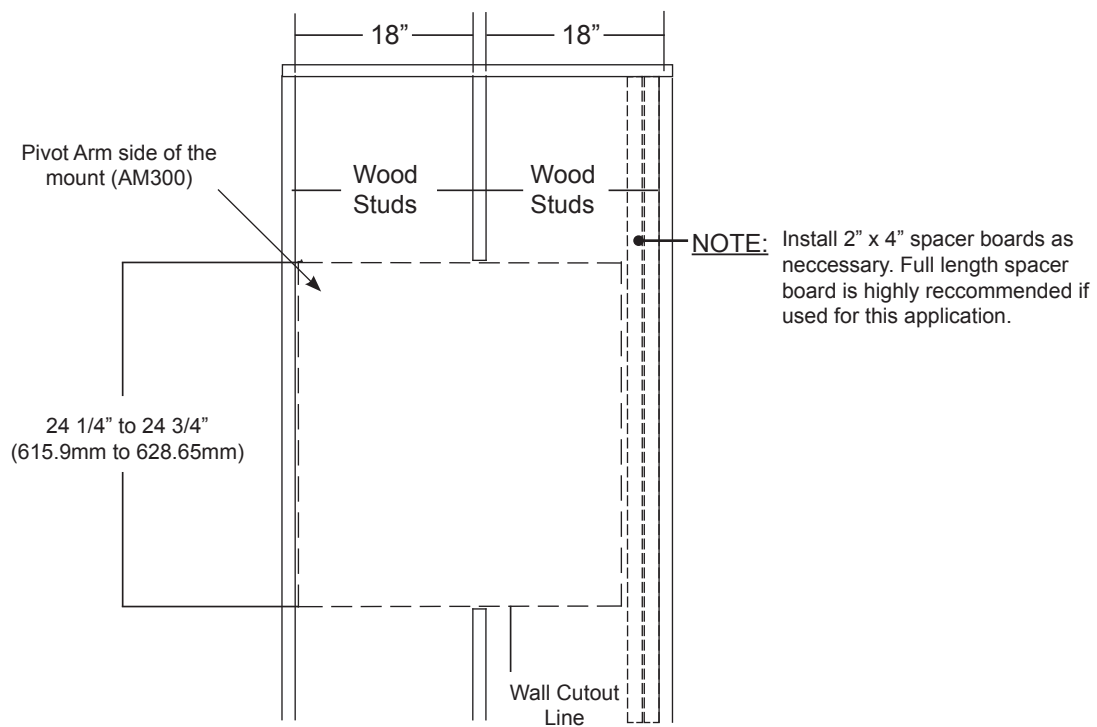


The following instructions cover special applications. If the stud spacing is more than 16" (i.e. 18", or stud location), the wall must be re-enforced.

- 1) Measure from the wood stud to the edge of the inwall box.
- 2) Add spacer boards to compensate the distance of a standard 16" studded wall.
- 3) Attach the first spacer board using commercially available 3" long wood screws.
- 4) Re-measure the distance from the spacer board to the edge of the in-wall box. If the distance is greater than 2.5", attach another spacer board.
- 5) Refer steps from previous page to install the shims and mounting instructions.



If installing with the AM300, the pivot (where the side the arm is attached) **MUST NOT** be the same side as where the spacer boards were installed. The AM300 must be mounted as tightly as possible against the wooden wall stud.



PREMIER MOUNTS LIMITED LIFETIME WARRANTY

What and Who is Covered by this Limited Lifetime Warranty

Premier Mounts warrants all mounting products to be free from defects in material and workmanship for the lifetime of the original installation of the product.

What Premier Mounts Will Do

At the sole option of Premier Mounts, Premier Mounts will repair or replace any product or product part that is defective. If Premier Mounts chooses to replace a defective product or part, a replacement product or part will be shipped to you at no charge, but you must pay any related labor costs.

What is Not Covered: Limitations

Premier Mounts disclaims any liability for damage to mounts, adapters, displays, projectors, other property, or personal injury resulting, in whole or in part, from improper installation, modification, use or misuse of its products.

NOTWITHSTANDING ANYTHING TO THE CONTRARY IN THIS WARRANTY, THIS WARRANTY IS LIMITED TO FIVE YEARS FROM THE DATE OF PURCHASE IN THE EVENT THAT THE WARRANTED PRODUCT IS COMMERCIALY RENTED OUT.

Electrical products and components, such as amplifiers, speakers, motors, switches remote controls and related electrical items, are backed by a 3-year warranty.

Premier Mounts disclaims all other warranties, express or implied, including warranties of merchantability and fitness for a particular purpose. Premier Mounts is not responsible for incidental or consequential damages, including but not limited to, inability to use its products or labor costs for removing and replacing defective products or parts. Some states do not allow the exclusion or limitation of incidental or consequential damages, so the above limitation or exclusion may not apply to you.

What Customers Must Do for Warranty Service

If you discover a problem that you think may be covered by the warranty, you must report it in writing to the address below within thirty (30) days. Proof of purchase (an original sales receipt) from the original consumer purchaser must accompany all warranty claims. Warranty claims must also include a description of the problem, the purchaser's name, address, and telephone number. General inquiries can be addressed to Premier Mounts Customer Service at 1-800-368-9700. Warranty claims will not be accepted over the phone or by fax.

PREMIER MOUNTS

ATTN: Warranty Claims

500 W Central Ave, Suite A
Brea, CA 92821

How State Law Applies

This warranty gives you specific legal rights, and you may also have other rights which vary from state to state.

Premier Mounts intends to make this manual accurate and complete. However, Premier Mounts makes no claim that the information contained herein covers all details, conditions or variations, nor does it provide for every possible contingency in connection with the installation or use of this product. The information contained in this document is subject to change without notice or obligation of any kind. Premier Mounts makes no representation of warranty, expressed or implied, regarding the information contained herein. Premier Mounts assumes no responsibility for accuracy, completeness or sufficiency of the information contained in this document.

©PREMIER MOUNTS

500 W Central Ave, Suite A
Brea, CA 92821

USA & CANADA

Phone: 800-368-9700
Fax: 800-832-4888

e. orders@premiermounts.com

