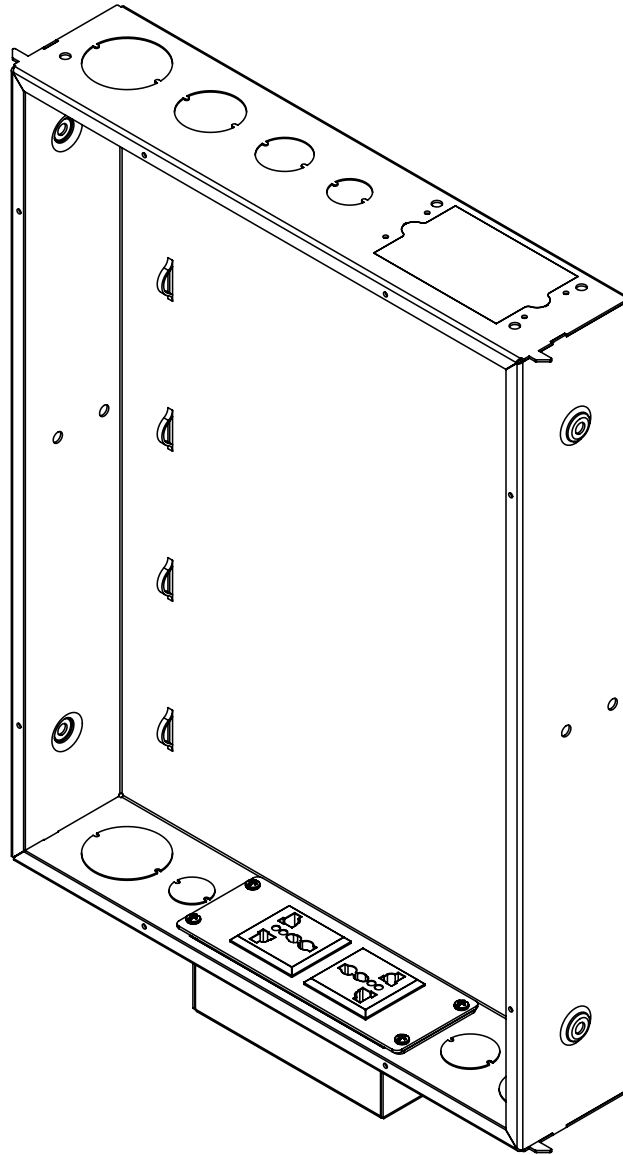


# GB-INWAVPL Installation Guide

Installationsanleitung, Guía de Instalación, Guida de Installazione, Guide d'Installation, Installatie gids



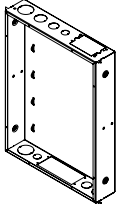
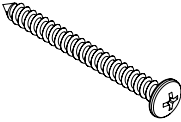
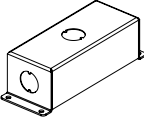
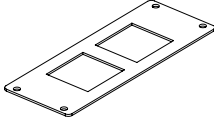
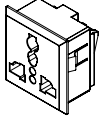
[premiermounts.com](http://premiermounts.com) | p. 800.368.9700 | [e.orders@premiermounts.com](mailto:e.orders@premiermounts.com)  
500 W Central Ave, Suite A, Brea, CA 92821 USA

# GB-INWAVPL

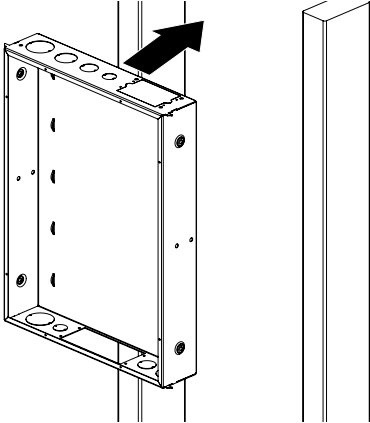
## Installation Guide

Installationsanleitung, Guía de Instalación, Guida de Installazione, Guide d'Installation, Installatie gids

### Hardware

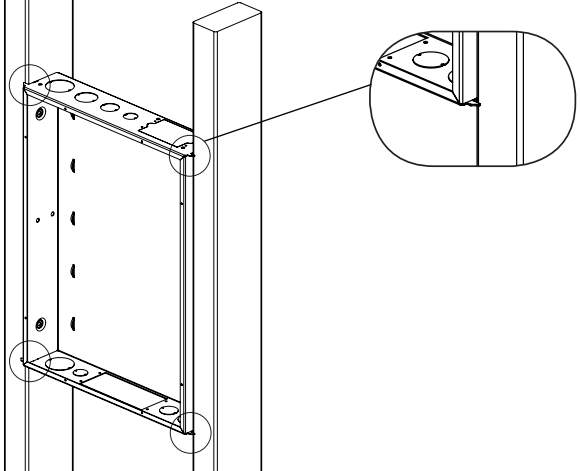
 x1	 x4	 x1	 x1	 x1
In-Wall	#10 x 2" Screw #10 x 50.8 mm Screw	Snap In Socket	Snap in Plug Plate	Universal Power Socket

**1**



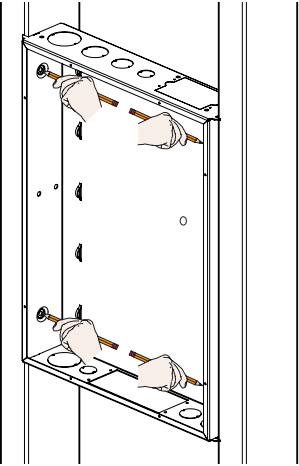
The GB-INWAVPL is design to mate inside between 16" (406.4mm) and larger width wood or sheet metal stud walls. The in-wall box can mated to both stud sides or one only depending on the clear space between the studs.

**2**



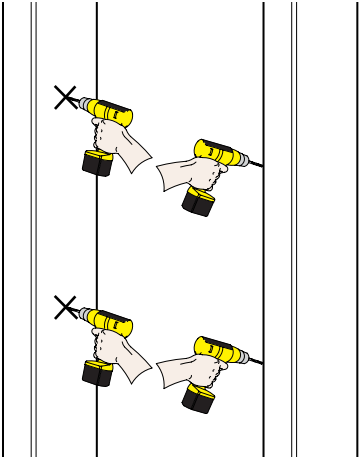
There are four (4) tabs on the in-wall box. The tabs act as install stop guide for wood or metal studs.

**3**



Find the desired location and mark the mounting locations.

**4**



Drill a pilot hole using a 5/32" (3.7 mm) drill bit.

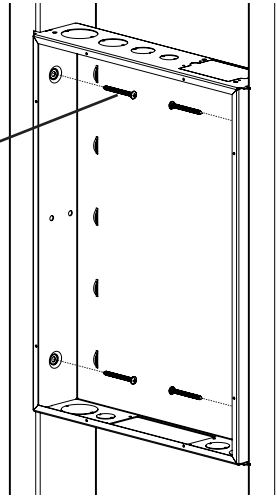


# GB-INWAVPL Installation Guide

Installationsanleitung, Guía de Instalacion, Guida de Installazione, Guide d'Installation, Installatie gids

3

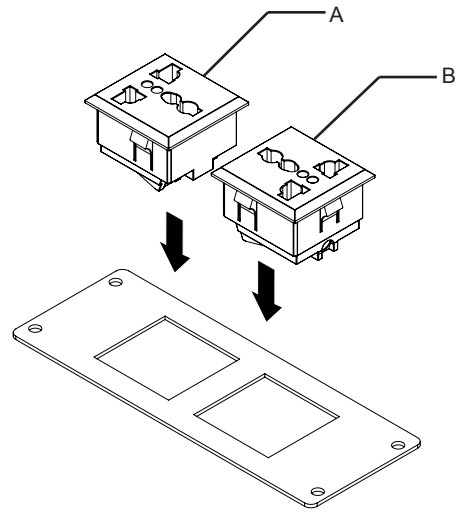
(4) #10 X 2" (50.8 mm)  
Screw



Power drill driver may require you to pilot drill at a slight angle due to the width on the in-wall box interior.

If you are mounting to only a single stud use two of each screw and follow the same basic procedure as above.

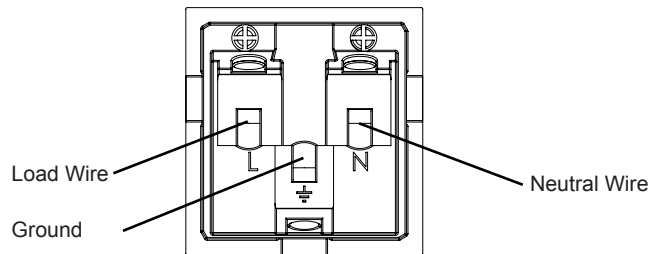
4A



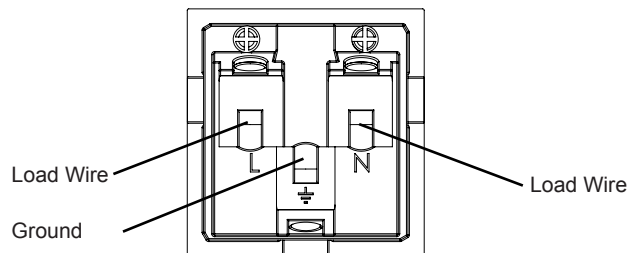
A. Media Player / Set top Box  
B. Display

4B

110V

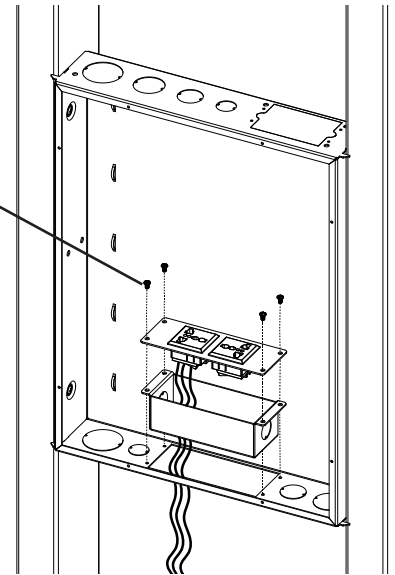


220V



5

(4) M4 x 6mm  
Screw



1. Put the wires up through J-Box.
2. Use a #2 Phillips screw driver to install four (4) M4 x 6mm Screw.

