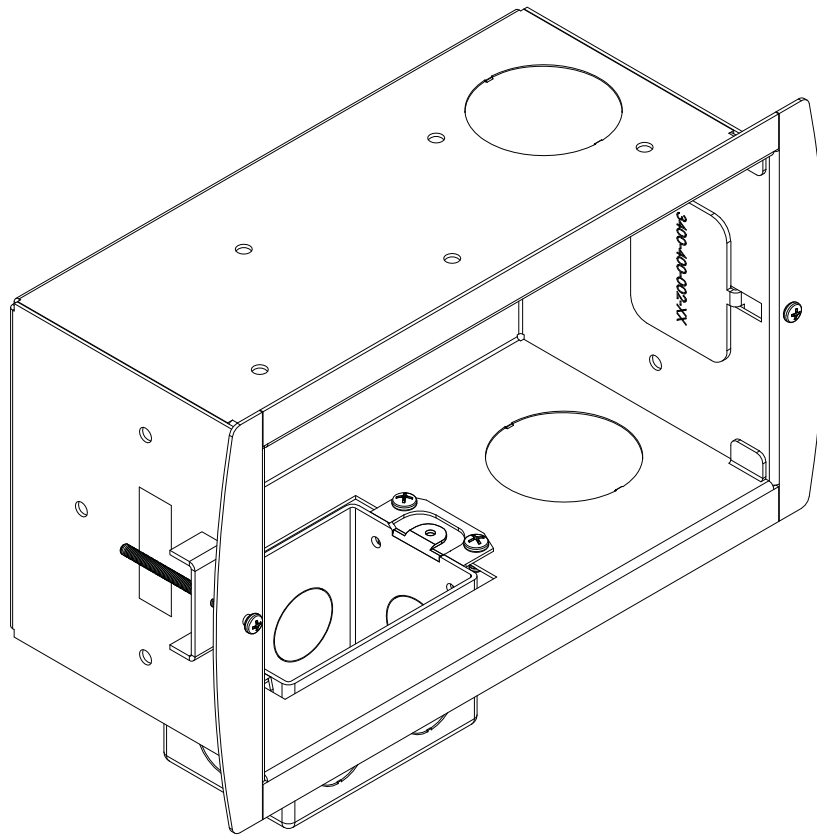


# GB-INWAVP

Gear Box In-Wall Audio / Video / Power Mount

---

## INSTALLATION INSTRUCTIONS



[premiermounts.com](http://premiermounts.com) | p. 800.368.9700 | e. [orders@premiermounts.com](mailto:orders@premiermounts.com)  
500 W Central Ave, Suite A, Brea, CA 92821 USA

9534-004-011-01

## Contents

Weight Limit.....	2
Warning Statements.....	2
Installation Tools.....	3
Parts List.....	3
Features.....	4
Introduction.....	5
Drywall Installation.....	5
Wood Stud Installation (Optional).....	8
Outlet Box Installation.....	10
Installing the Cable Bushings.....	11
Technical Specifications.....	11
Warranty.....	12

## Weight Limit

Maximum Weight:

THIS PRODUCT IS NOT INTENDED TO SUPPORT THE WEIGHT OF ANY PRODUCTS OTHER THAN THE NECESSARY CONNECTIONS FOR WHICH IT WAS DESIGNED.

## Warning Statements



PRIOR TO THE INSTALLATION OF THIS PRODUCT, THE INSTALLATION INSTRUCTIONS MUST BE READ AND COMPLETELY UNDERSTOOD. KEEP THESE INSTALLATION INSTRUCTIONS IN AN EASILY ACCESSIBLE LOCATION FOR FUTURE REFERENCE.



PROPER INSTALLATION PROCEDURE BY A QUALIFIED SERVICE TECHNICIAN MUST BE FOLLOWED, AS OUTLINED IN THESE INSTALLATION INSTRUCTIONS. FAILURE TO DO SO COULD RESULT IN PROPERTY DAMAGE, SERIOUS PERSONAL INJURY, OR EVEN DEATH.



SAFETY MEASURES MUST BE PRACTICED AT ALL TIMES DURING THE ASSEMBLY OF THIS PRODUCT. USE PROPER SAFETY EQUIPMENT AND TOOLS FOR THE ASSEMBLY PROCEDURE TO PREVENT PERSONAL INJURY.



PREMIER MOUNTS DOES NOT WARRANT AGAINST DAMAGE CAUSED BY THE USE OF ANY PREMIER MOUNTS PRODUCT FOR PURPOSES OTHER THAN THOSE FOR WHICH IT WAS DESIGNED OR DAMAGE CAUSED BY UNAUTHORIZED ATTACHMENTS OR MODIFICATIONS, AND IS NOT RESPONSIBLE FOR ANY DAMAGES, CLAIMS, DEMANDS, SUITS, ACTIONS OR CAUSES OF ACTION OF WHATEVER KIND RESULTING FROM, ARISING OUT OF OR IN ANY MANNER RELATING TO ANY SUCH USE, ATTACHMENTS OR MODIFICATIONS.



If mounting to wall studs or ceiling joists, make sure that the mounting screws are anchored into the center of the wall studs or ceiling joists. Use of an edge-to-edge stud finder is recommended.



Be aware of the mounting environment. If drilling and/or cutting into the mounting surface, always make sure that there are no electrical wires in wall. Cutting or drilling into an electrical line may cause serious personal injury.





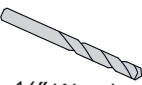

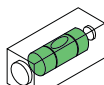


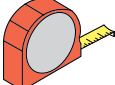

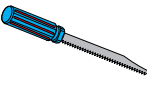
Make sure there are no water or natural gas lines inside the wall where the mount is to be located. Cutting or drilling into a water or gas line may cause severe property damage or personal injury.



This product is intended for indoor use only. Use of this product outdoors could lead to product failure and/or serious personal injury.

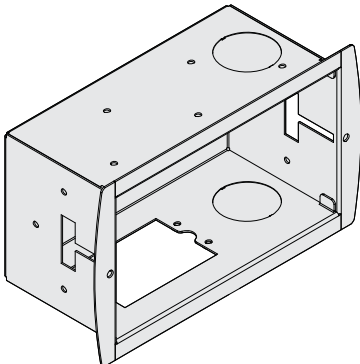
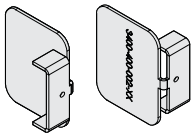
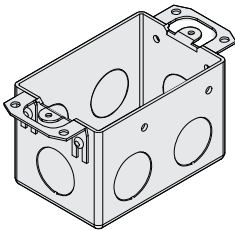
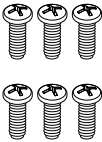
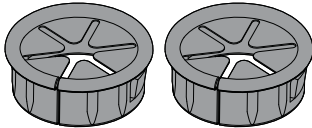
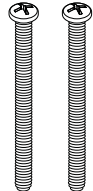
## Installation Tools

The following tools may be required, dependent upon your particular installation. These tools are not provided by Premier Mounts, but you can purchase them at your local hardware store.

 Electronic Stud Finder	 Hand Held Drill	 1/8" Wood Drill Bit	 Pencil	 Level
 Protective Eyewear	 Hammer	 Tape Measure	 Phillips Tip Screwdriver	 Drywall Saw

## Parts List

Your Premier Mounts product is shipped with all proper installation hardware and components. Make sure that none of these parts are missing and/or damaged before beginning installation. If there are parts missing and/or damaged, please stop the installation and contact Premier Mounts (800) 368-9700.

In-Wall Box Hardware		
 In-Wall Box (Qty 1)		
 In-Wall Clamp (Qty 2)	 Outlet Box w/ Knockouts (Qty 1)	
 6-32 x 1/2" Panhead Screw (Qty 6)	 1 1/2" Cable Bushing (Qty 2)	 6-32 x 2" Panhead Screw (Qty 2)

## Spacious and Strong

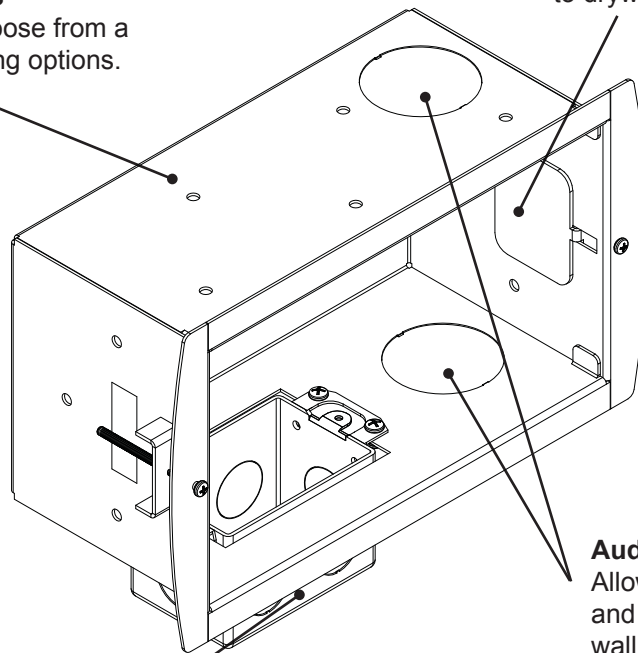
Plenty of room to route cables and cords, as well as store any excess cord length to prevent strain.

## In-Wall Clamps

No need for a nearby wood stud!  
Quick and easy mounting directly to drywall.

## Mounting Points

Allows you to choose from a variety of mounting options.



## Audio / Video Cable Knockouts

Allows you to route audio, video and data connections through the wall for a clean, concealed look.

## Power Box

Have your electrician install a duplex receptacle so you can plug in your flat panel without the need for unsightly cords running down the wall to a nearby receptacle.

## Flexible

You can mount your in-wall box horizontally, vertically, or even upside-down to accommodate your specific power and audio/video cabling needs.

## Introduction



Your GB-INWAVP requires a minimum of  $\frac{3}{4}$ " between the side of your GB-INWAVP and the nearest wall stud for the In-Wall Clamps to properly operate.

Prior to installing any hardware, Premier Mounts strongly recommends that you carefully consider:

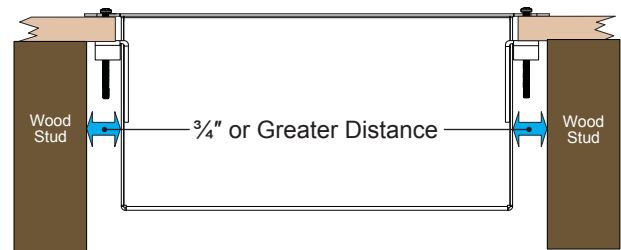
- Where you intend to mount your flat panel.
- Where you intend to install your GB-INWAVP.
- Whether you will be mounting your GB-INWAVP horizontally, vertically, or inverted.
- The proximity of nearby wood studs.
- How electric power, audio, video, or data is going to be routed to your GB-INWAVP.



Installation of your GB-INWAVP should be performed by a qualified professional. Improper installation can result in property damage and severe personal injury.

If you will be mounting your GB-INWAVP directly to drywall, proceed to the **“Drywall Installation”** section.

If you will be mounting your GB-INWAVP to a wooden stud, or if after cutting the hole in your drywall you discover that you are too close to a wall stud, proceed to the **“Wood Stud Installation (Optional)”** section.



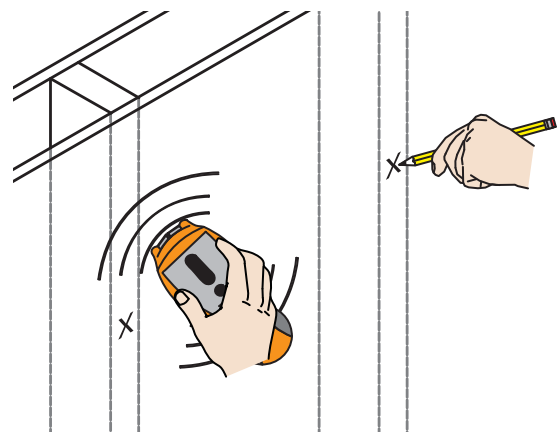
Plan View

## Drywall Installation

### Step 1

- 1 Use an electronic stud finder to locate all wall studs in the area in which you intend to install your flat panel and your GB-INWAVP.
- 2 Use a pencil and lightly mark the location of each stud.


If your flat panel mounting bracket has sufficiently large access openings, consider installing your GB-INWAVP directly behind the flat panel.




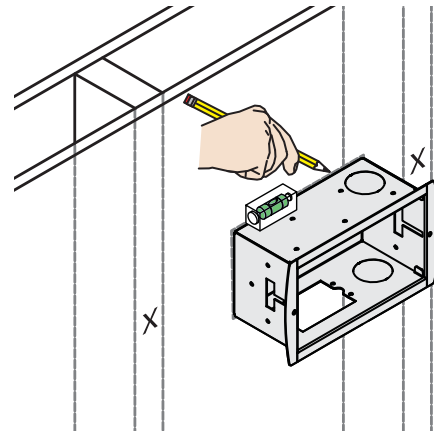
## Drywall Installation (cont'd)

### Step 2

- 1 Place your GB-INWAVP against wall.
- 2 Level your GB-INWAVP.
- 3 Use a pencil and draw an outline on the wall around your GB-INWAVP.


 This is where you will be cutting a hole in the drywall for your GB-INWAVP. Be absolutely certain that this is where you want it installed.

 Your GB-INWAVP requires a minimum of 1/2" between the side of your GB-INWAVP and the nearest wall stud for the In-Wall Clamps to properly operate.

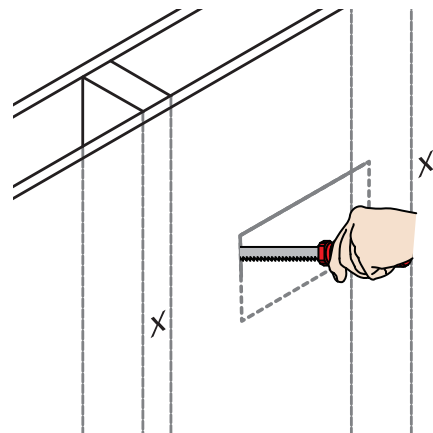


### Step 3

Use a drywall saw to remove the drywall in the area you marked in **Step 2**.

 Avoid cutting electrical wires, water pipes, or gas lines! Remove a small piece of drywall and use a flashlight to look around for these hazards in the area in which you will be cutting. Once you have located any hazards, proceed to carefully remove the rest of the drywall.


If you do locate any hazards, their presence may require you to relocate either the hazard or your GB-INWAVP. Consult a qualified professional prior to relocating electrical lines, gas lines, or water pipes.

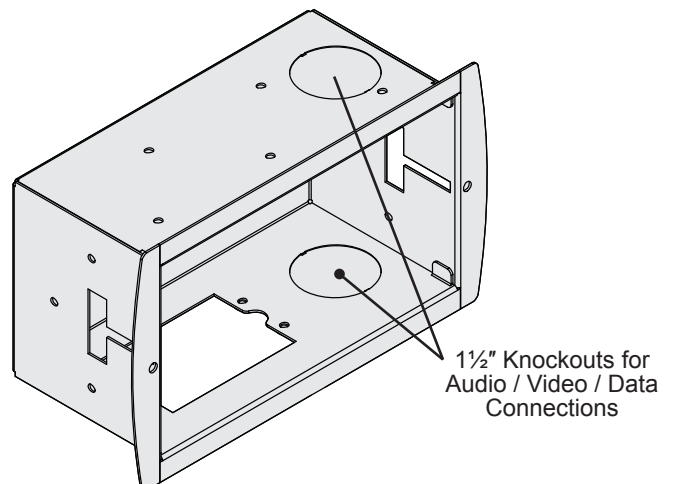


### Step 4

If you will be routing your audio, video, and/or data connections through the wall, remove the 1 1/2" knockout.

The 1 1/2" knockout is easily removed by pressing hard with your thumbs on either side of the knockout, then twisting the knockout until it comes free.

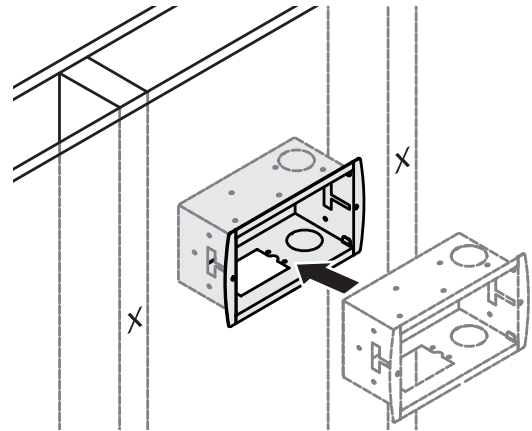
 Watch for sharp edges!



## Drywall Installation (cont'd)

### Step 5

Insert your GB-INWAVP into the cutout.



### Step 6

Insert one (1) In-Wall Clamp through the T-notch and pull it forward. Fasten with one (1) 6-32 x 2" Panhead Screw.



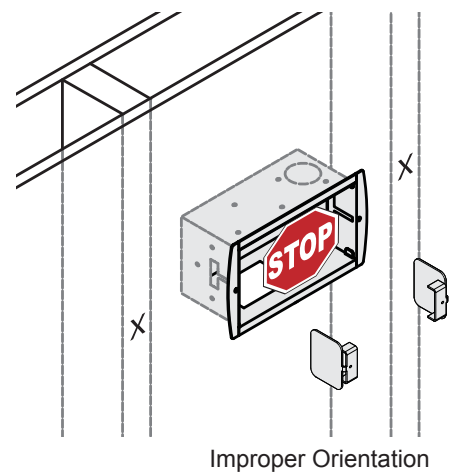
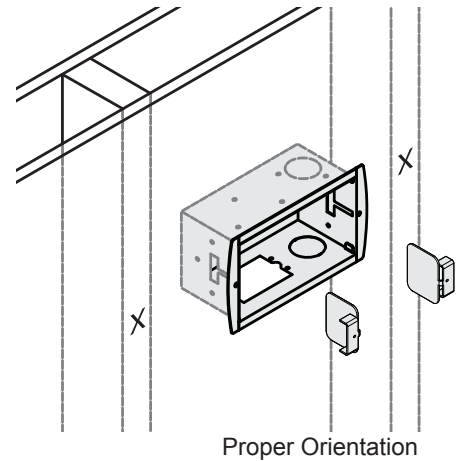
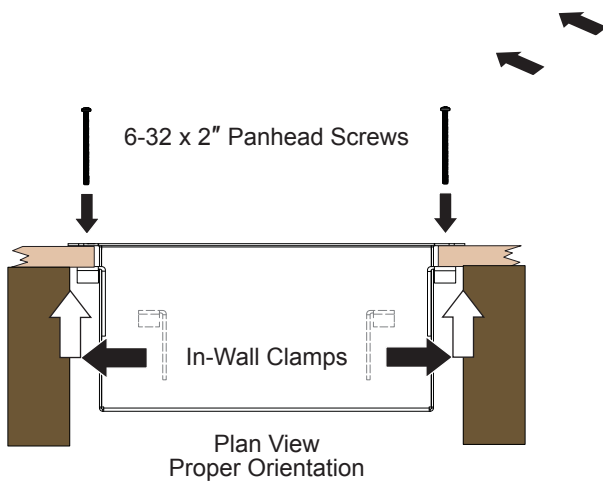
Do not overtighten the 6-32 x 2" Panhead Screw.



Note the proper orientation for the In-Wall Clamp.

Repeat for the remaining In-Wall Clamp.

Proceed to the "Outlet Box Installation" section.

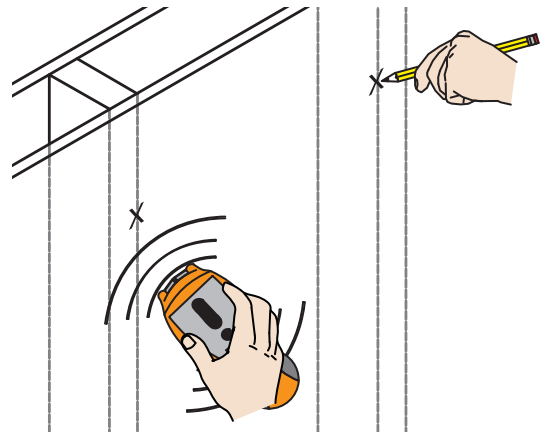


## Wood Stud Installation (Optional)

### Step 1


- 1 Use an electronic stud finder to locate all wall studs in the area in which you intend to install your flat panel and your GB-INWAVP.
- 2 Use a pencil and lightly mark the location of each stud.


If your flat panel mounting bracket has sufficiently large access openings, consider installing your GB-INWAVP directly behind the flat panel.

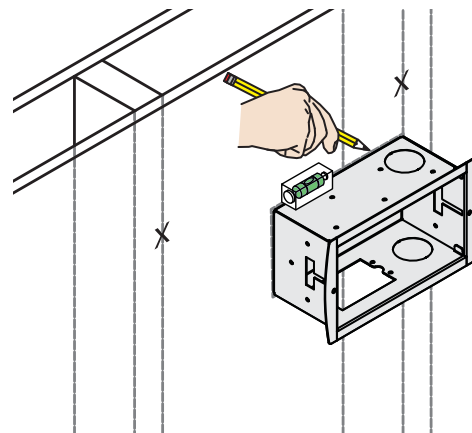


### Step 2

- 1 Place your GB-INWAVP against the wall with one edge of your GB-INWAVP aligned with the edge of a stud.
- 2 Level your GB-INWAVP.
- 3 Use a pencil and draw an outline on the wall around your GB-INWAVP.


 This is where you will be cutting a hole in the drywall for your GB-INWAVP. Be absolutely certain that this is where you want it installed.

 Your GB-INWAVP requires a minimum of  $\frac{3}{4}$ " between the side of your GB-INWAVP and the nearest wall stud for the In-Wall Clamps to properly operate.

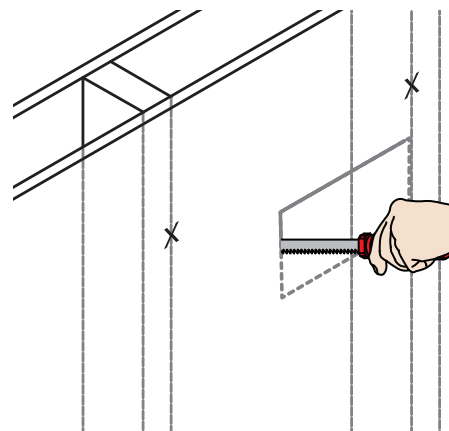


### Step 3

Use a drywall saw to remove the drywall in the area you marked in **Step 2**.

 Avoid cutting electrical wires, water pipes, or gas lines! Remove a small piece of drywall and use a flashlight to look around for these hazards in the area in which you will be cutting. Once you have located any hazards, proceed to carefully remove the rest of the drywall.

If you do locate any hazards, their presence may require you to relocate either the hazard or your GB-INWAVP. Consult a qualified professional prior to relocating electrical lines, gas lines, or water pipes.





## Wood Stud Installation (Optional) (cont'd)

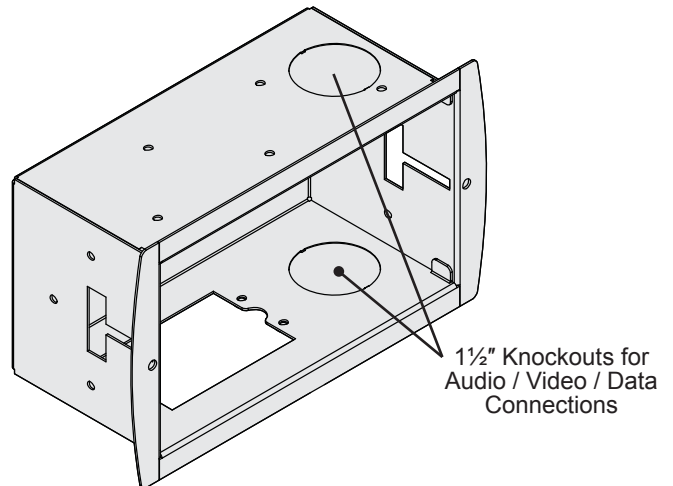
### Step 4

If you will be routing your audio, video, and/or data connections through the wall, remove the 1½" knockout.

The 1½" knockout is easily removed by pressing hard with your thumbs on either side of the knockout, then twisting the knockout until it comes free.

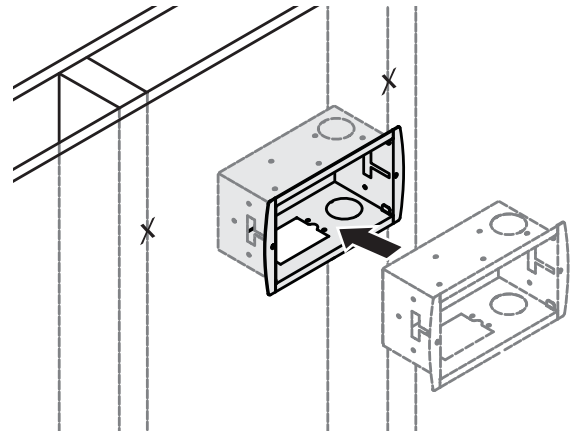


Watch for sharp edges!



### Step 5

Insert your GB-INWAVP into the cutout.



### Step 6

Drill a ¼" pilot hole in each of the three (3) mounting points.

Insert one (1) commercially available wood screw into each of the pilot holes and hand tighten.

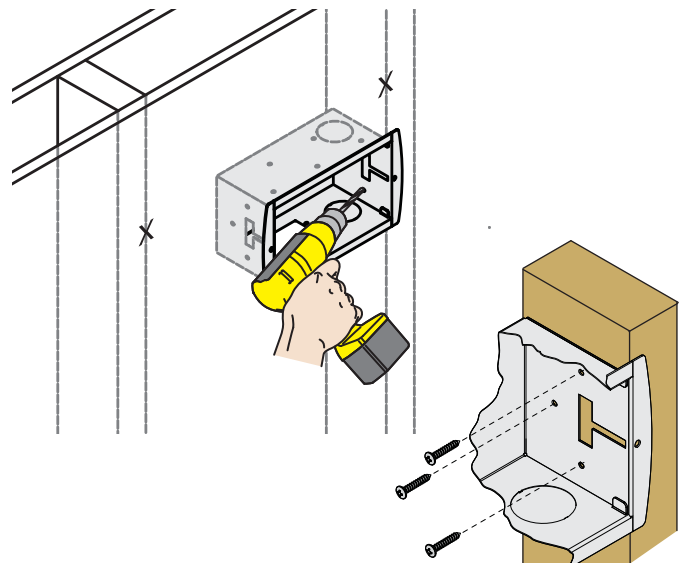


Do not overtighten the wood screws.





Do not use a power drill to thread in the wood screws.


Proceed to the "Outlet Box Installation" section.

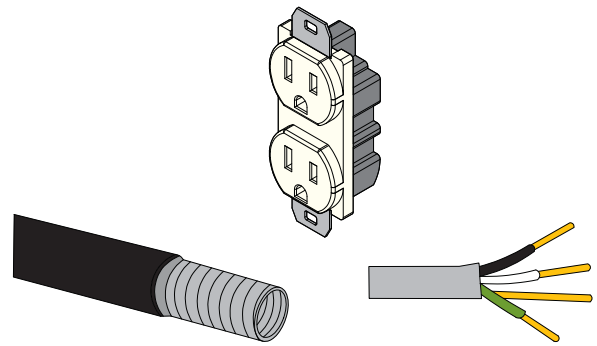


## Outlet Box Installation

 Installation of electrical power to your GB-INWAVP should be performed by a qualified professional electrician. Improper installation and handling of live electrical wires can result in property damage and severe personal injury.

 The 110 volt duplex receptacle, flexible aluminum conduit, and electrical wiring are not included with your GB-INWAVP. You or your electrician can purchase these at your local hardware store or electrical supply shop.

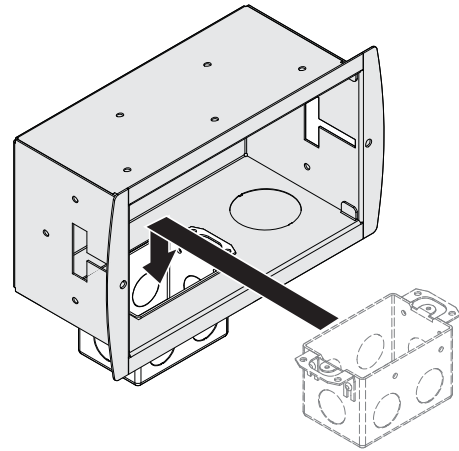
 The following steps presume that you have already run flexible aluminum conduit and electrical wiring up to your GB-INWAVP.



Not Included


### Step 1

- 1 Remove one of the ½" knockouts from the back of the Outlet Box.
- 2 Connect the flexible aluminum conduit using commercially available conduit connectors most appropriate for your specific installation.
- 3 Install a 110 volt duplex receptacle into the Outlet Box.
- 4 Place the Outlet Box into your GB-INWAVP.

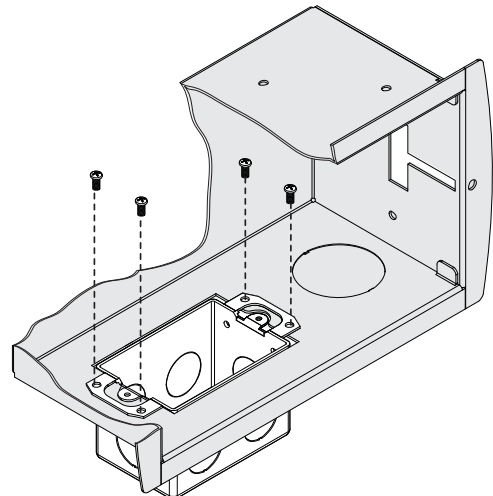


### Step 2

Secure the Outlet Box to your GB-INWAVP using four (4) 6-32 x ½" screws.


 Do not overtighten the 6-32 x ½" screws.

Proceed to the “Installing the Cable Bushings” section.



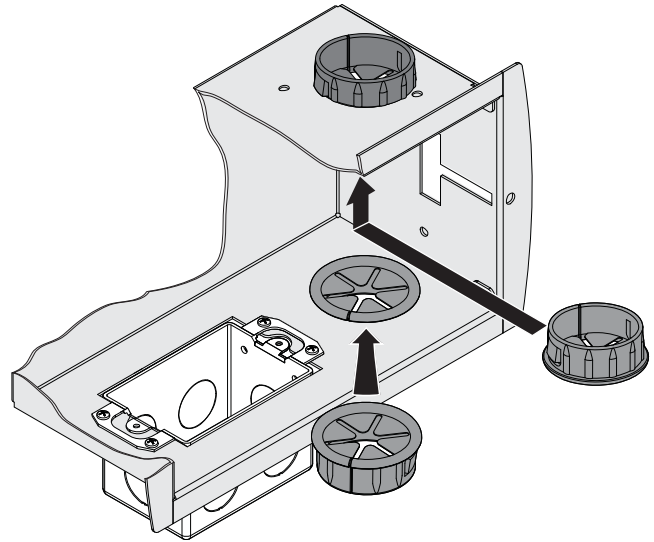
## Installing the Cable Bushings

The knockouts for your audio / video / data cables should already be removed. If you have not removed them yet, press hard with your fingertips on either side of the knockouts, then twist the knockout until they come free.

 Watch for sharp edges!

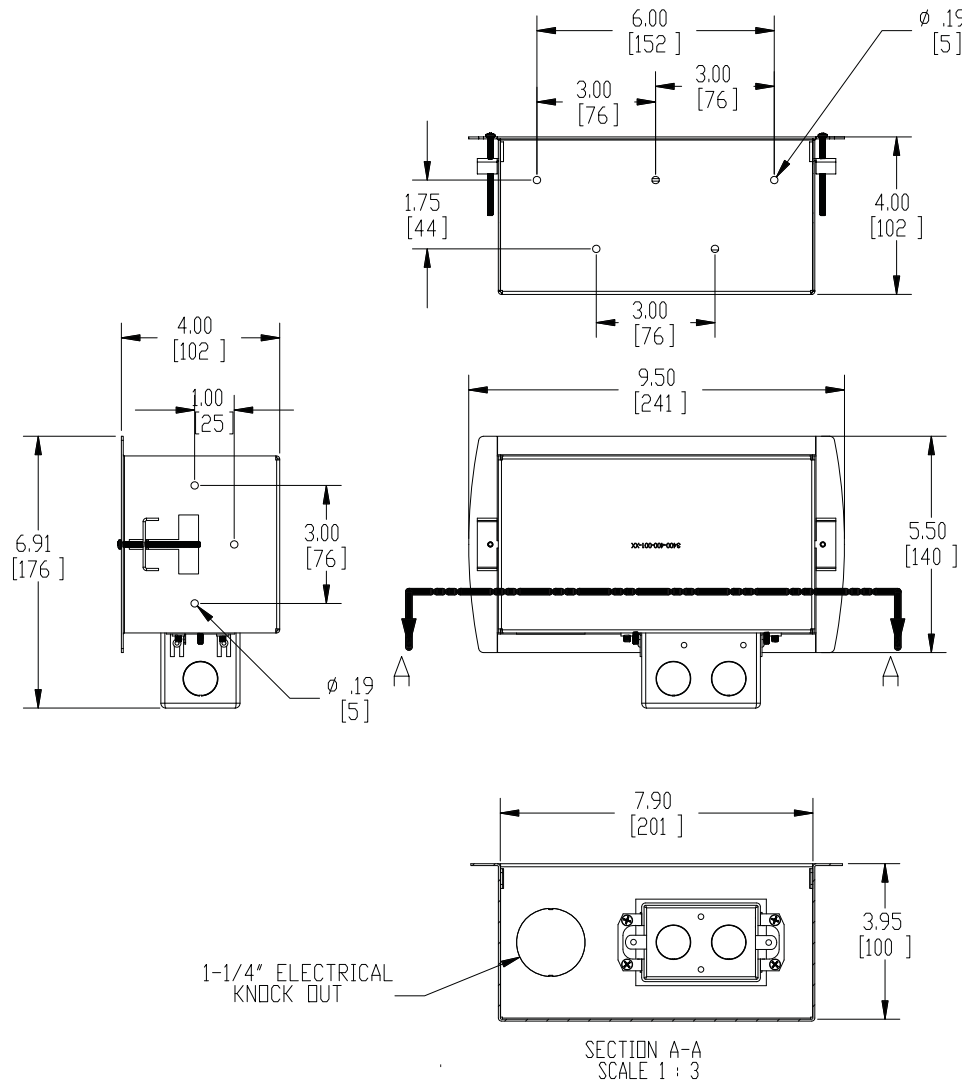
- ❶ Install the cable bushings gently pressing them into the knockout holes.
- ❷ Run your audio, video, and data cables through the cable bushings.

Proceed with installing your flat panel mount.



## Technical Specifications

All measurements are in inches(mm).



## Warranty

### PREMIER MOUNTS LIMITED LIFETIME WARRANTY

#### What and Who is Covered by this Limited Warranty and for How Long

Premier Mounts warrants this product to be free from defects in material and workmanship for the lifetime of the original owner of this product. The limited warranty is valid only for the original purchaser of the product.

#### What Premier Mounts Will Do

At the sole option of Premier Mounts, Premier Mounts will repair or replace any product or product part that is defective. If Premier Mounts chooses to replace a defective product or part, a replacement product or part will be shipped to you at no charge, but you must pay any labor costs.

#### What is Not Covered; Limitations

PREMIER MOUNTS DISCLAIMS ANY LIABILITY FOR DAMAGE TO MOUNTS, ADAPTERS, DISPLAYS, PROJECTORS, OTHER PROPERTY, OR PERSONAL INJURY RESULTING, IN WHOLE OR IN PART, FROM IMPROPER INSTALLATION, MODIFICATION, USE OR MISUSE OF ITS PRODUCTS.

PREMIER MOUNTS DISCLAIMS ALL OTHER WARRANTIES, EXPRESS OR IMPLIED, INCLUDING WARRANTIES OF MERCHANTABILITY AND FITNESS FOR A PARTICULAR PURPOSE. PREMIER MOUNTS IS NOT RESPONSIBLE FOR INCIDENTAL OR CONSEQUENTIAL DAMAGES, INCLUDING BUT NOT LIMITED TO, INABILITY TO USE ITS PRODUCTS OR LABOR COSTS FOR REMOVING AND REPLACING DEFECTIVE PRODUCTS OR PARTS. SOME STATES DO NOT ALLOW THE EXCLUSION OR LIMITATION OF INCIDENTAL OR CONSEQUENTIAL DAMAGES, SO THE ABOVE LIMITATION OR EXCLUSION MAY NOT APPLY TO YOU.

#### What Customers Must Do for Limited Warranty Service

If you discover a problem that you think may be covered by the warranty you MUST REPORT it in writing to the address below within thirty (30) days. Proof of purchase (an original sales receipt) from the original consumer purchaser must accompany all warranty claims. Warranty claims must also include a description of the problem, the purchaser's name, address, and telephone number. General inquiries can be addressed to Premier Mounts Customer Service at 1-800-368-9700. Warranty claims will not be accepted over the phone or by fax.

#### PREMIER MOUNTS

##### ATTN: Warranty Claims

500 W Central Ave, Suite A  
Brea, CA 92821

#### How State Law Applies

THIS WARRANTY GIVES YOU SPECIFIC LEGAL RIGHTS, AND YOU MAY ALSO HAVE OTHER RIGHTS WHICH VARY FROM STATE TO STATE.

## Disclaimer

Premier Mounts intends to make this manual accurate and complete. However, Premier Mounts makes no claim that the information contained herein covers all details, conditions or variations, nor does it provide for every possible contingency in connection with the installation or use of this product. The information contained in this document is subject to change without notice or obligation of any kind. Premier Mounts makes no representation of warranty, expressed or implied, regarding the information contained herein. Premier Mounts assumes no responsibility for accuracy, completeness or sufficiency of the information contained in this document.

#### ©PREMIER MOUNTS

500 W Central Ave, Suite A  
Brea, CA 92821

#### USA & CANADA

Phone: 800-368-9700

Fax: 800-832-4888

e. [orders@premiermounts.com](mailto:orders@premiermounts.com)

