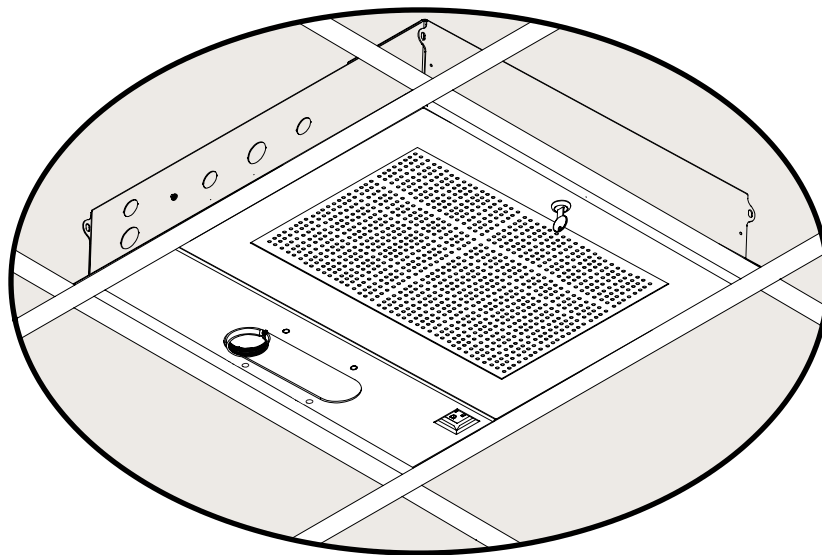


GB-AVSTOR5

Ceiling Equipment Storage Box with Pipe Coupler

INSTALLATION INSTRUCTIONS



premiermounts.com | p. 800.368.9700 | e. orders@premiermounts.com
500 W Central Ave, Suite A, Brea, CA 92821 USA



Contents

Weight Limit 2

Total Voltage Limit 2

Warning Statements 2

Installation Tools 3

Parts List 4

Features 4

GB-AVSTOR5 Installation 5

 Introduction 5

 Lid Removal 5

Ceiling Box Installation 6

Wiring the Electrical Box 10

 Removing the Electrical Knockouts (optional) 10

Mounting Tray Installation 11

Ceiling NPT Adapter Plate Adjustment 12

Securing the 1 1/2" NPT Pipe to the GB-AVSTOR5 12

Securing the Lid 13

Technical Specifications 14

Warranty 15

Weight Limit

Total Maximum Weight:
(includes NPT pipe, projector,
& hardware being mounted)

50 lbs.

THE CEILING STRUCTURE MUST BE CAPABLE OF SUPPORTING AT LEAST FOUR TIMES THE WEIGHT OF THE CEILING BOX. IF NOT, THE CEILING STRUCTURE MUST BE REINFORCED.

Total Voltage Limit



**The maximum voltage of this product is 120vac.
The maximum combined total amps for all outlets are not to exceed 12 AMPS or equivalent.**

Warning Statements



PRIOR TO THE INSTALLATION OF THIS PRODUCT, THE INSTALLATION INSTRUCTIONS MUST BE READ AND COMPLETELY UNDERSTOOD. KEEP THESE INSTALLATION INSTRUCTIONS IN AN EASILY ACCESSIBLE LOCATION FOR FUTURE REFERENCE.



PROPER INSTALLATION PROCEDURE BY A QUALIFIED SERVICE TECHNICIAN MUST BE FOLLOWED, AS OUTLINED IN THESE INSTALLATION INSTRUCTIONS. FAILURE TO DO SO COULD RESULT IN PROPERTY DAMAGE, SERIOUS PERSONAL INJURY, OR EVEN DEATH.



SAFETY MEASURES MUST BE PRACTICED AT ALL TIMES DURING THE ASSEMBLY OF THIS PRODUCT. USE PROPER SAFETY EQUIPMENT AND TOOLS FOR THE ASSEMBLY PROCEDURE TO PREVENT PERSONAL INJURY.



PREMIER MOUNTS DOES NOT WARRANT AGAINST DAMAGE CAUSED BY THE USE OF ANY PREMIER MOUNTS PRODUCT FOR PURPOSES OTHER THAN THOSE FOR WHICH IT WAS DESIGNED OR DAMAGE CAUSED BY UNAUTHORIZED ATTACHMENTS OR MODIFICATIONS, AND IS NOT RESPONSIBLE FOR ANY DAMAGES, CLAIMS, DEMANDS, SUITS, ACTIONS OR CAUSES OF ACTION OF WHATEVER KIND RESULTING FROM, ARISING OUT OF OR IN ANY MANNER RELATING TO ANY SUCH USE, ATTACHMENTS OR MODIFICATIONS.



At least one qualified person should perform the assembly procedure. Personal injury and/or property damage can result from dropping or mishandling the projector.



This product is intended for indoor use only. Use of this product outdoors could lead to product failure and/or serious personal injury.



Do not install near sources of high heat. Do not install on a structure that is prone to vibration, movement or chance of impact.

AVERTISSEMENT



AVANT L'INSTALLATION DE CE PRODUIT, LES CONSIGNES D'INSTALLATION DOIVENT ÊTRE LUES ET PLEINEMENT COMPRISES. CONSERVER CES CONSIGNES D'INSTALLATION DANS UN ENDROIT FACILEMENT ACCESSIBLE POUR RÉFÉRENCE FUTURE.



LA PROCÉDURE D'INSTALLATION CORRECTE PAR UN TECHNICIEN QUALIFIÉ DOIT ÊTRE OBSERVÉE, COMME DÉCRIT DANS CES CONSIGNES D'INSTALLATION. FAUTE DE QUOI DES DOMMAGES MATÉRIELS, BLESSURES GRAVES, VOIRE MÊME LA MORT PEUT SUBVENIR.



DES MESURES DE SÉCURITÉ DOIVENT ÊTRE PRATIQUÉES À TOUT MOMENT DURANT L'ASSEMBLAGE DE CE PRODUIT. UTILISER L'ÉQUIPEMENT ET OUTILS DE SÉCURITÉ APPROPRIÉ POUR LA PROCÉDURE D'ASSEMBLAGE AFIN D'ÉVITER DES BLESSURES.



LES SUPPORTS PREMIER MOUNTS NE GARANTISSENT PAS CONTRE LES DOMMAGES CAUSÉS PAR L'USAGE DU PRODUIT DE MONTAGE PREMIER MOUNTS À D'AUTRES FINS QUE CELLES POUR LESQUELLES IL A ÉTÉ CONÇU OU DES DOMMAGES CAUSÉS PAR DES ACCESSOIRES OU DES MODIFICATIONS NON AUTORISÉS, ET NOUS NE POUVONS PAS ÊTRE TENUS RESPONSABLES DES DOMMAGES, PLAINTES, RÉCLAMATIONS, POURSUITES, ACTIONS OU CAUSES D'ACTION DE N'IMPORTE QUELLE MANIÈRE RÉSULTANT DE, DÉCOULANT DE OU TOUCHANT DE N'IMPORTE QUELLE MANIÈRE UN TEL USAGE, ACCESSOIRE OU MODIFICATION



least No qualified people should perform the assembly procedure. Personal injury and/or property damage can result from dropping or mishandling the projector.





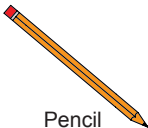





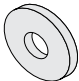
produit n'est destiné qu'à être utilisé à l'intérieur. L'utilisation de ce produit à l'extérieur pourrait entraîner des défauts matériels et/ou des blessures graves.



pas Installer près de sources de forte chaleur. Ne pas installer sur une structure soumise aux vibrations, aux mouvements ou aux chocs.

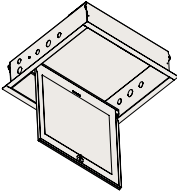
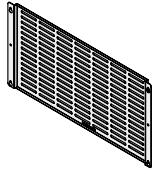

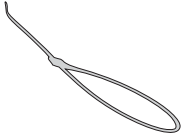
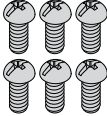
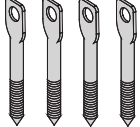
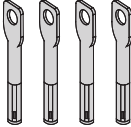

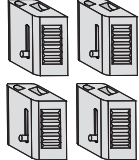
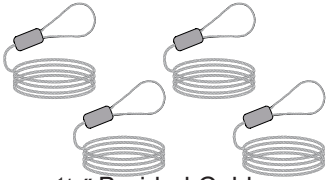
Installation Tools

The following tools may be required depending upon your particular installation. They are not included.

Ladder 	Hand Held Drill 	Pencil 	Protective Eyewear 	Phillips Tip Screwdriver 
1/8" Drill Bit 	1/4" Concrete Drill Bit 	Hammer 	Flat Washers 	

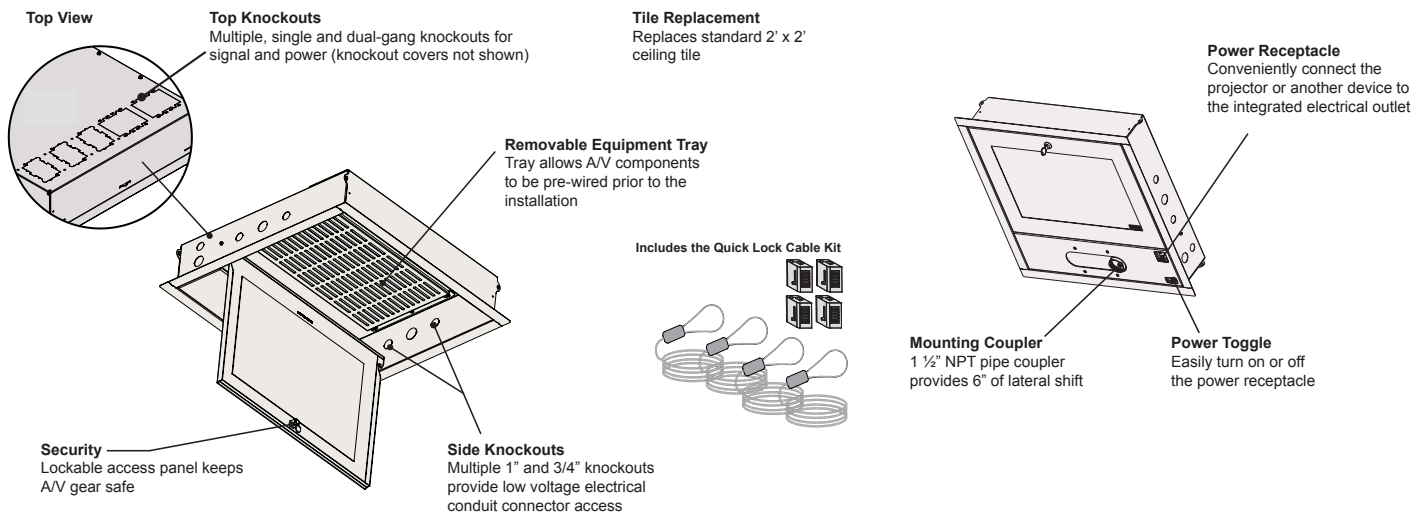
Parts List

Make sure your PremierMounts product has the following hardware and components before

GB-AVSTOR5 Hardware			
 GB-AVSTOR5 Ceiling Box (Qty 1)	 Equipment Mounting Tray (Qty 1)	 Keys (Qty 2)	 Zip Ties (Qty 12)
 M5 x 8mm Phillips Head Screws (Qty 6)	 1/4" x 3" Eye Lag Screws (Qty 4)	 M6 x 2.4" Eye Anchor Bolts (Qty 4)	 M5 x 6mm Set Screw (Qty 1)
Quick Lock Cable Kit			
 Quick Locks (Qty 4)		 1/16" Braided Cable (Qty 4 Strands)	

Features

The GB-AVSTOR5 Ceiling Equipment Storage GearBox™ with integrated pipe coupler provides a secure and discrete storage-and-mounting solution for false ceiling projector installations. Integrated power receptacles, a removable equipment mounting tray and an adjustable mounting platform for 1½" NPT pipe make the GB-AVSTOR5 an indispensable, centralized A/V installation accessory.



GB-AVSTOR5 Installation

Introduction

Please read these installation instructions thoroughly before installing your Premier Mounts product.

Please take a minute to familiarize yourself with the contents of the package and make sure you have all the parts and tools you need to safely complete the installation.

In addition, some steps of this installation may require two people to prevent personal injury and/or damage to your equipment. Please observe all warnings in the following installation procedure and utilize proper safety equipment at all times.

Lid Removal

- 1) Unlock and open the lid.
- 2) Push the lid in and away from the metal hinges (Figure 1).
- 3) Push the lid in the direction of the mounting coupler (Figure 2).
- 4) Once the lid hinge is unattached, pull the lid carefully out from the ceiling box.

Go to **Ceiling Box Installation** on page 6.

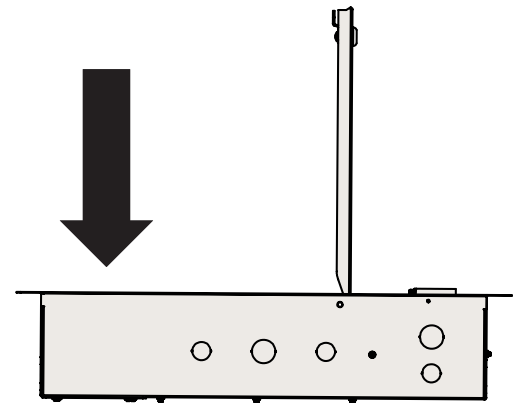


Figure 1

Ceiling Box Side View

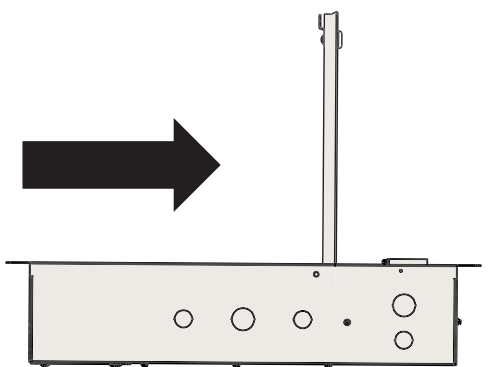


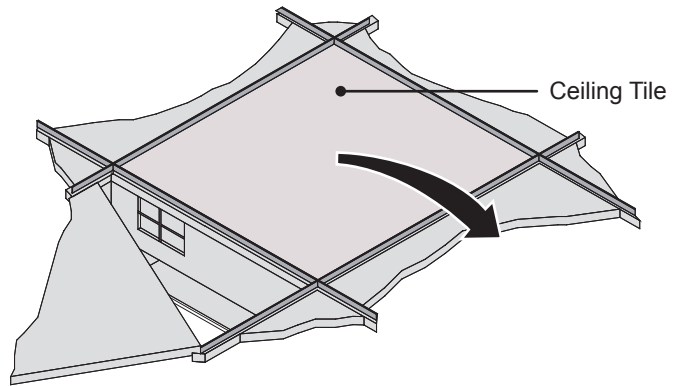
Figure 2

Ceiling Box Installation

- 1) Determine the desired location where the GB-AVSTOR5 is to be located.
- 2) Remove the ceiling tile where the ceiling box will be mounted.



Store the ceiling tile in a safe location in the event that it needs to be reused.



Ceiling Attachment



The ceiling box must be secured using the Quick Locks and 1/16" braided cables (supplied).

Wood Stud Ceiling



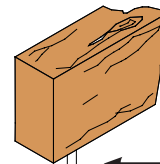
Minimum of 2 by 4 wood stud to be used



Minimum de 2 par 4 bois goujon pour être utilisé

- 1) Determine the mounting location.
- 2) Use a 1/8" drill bit to pre-drill the mounting holes.
- 3) Secure the four (4) 1/4" eye lag screws to the wood stud in the ceiling.
- 4) Run the open end of the 1/16" braided cable through the hole in an eye lag screw.
- 5) Run the open end through the loop.
- 6) Pull the open end down until the 1/16" braided cable tightens around the eye lag screw.
- 7) Repeat steps 4-6 for the remaining three mounting points.

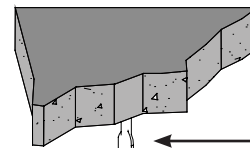
Wood Stud



Eye Lag Screw



Solid Surface



Eye Anchor Bolt



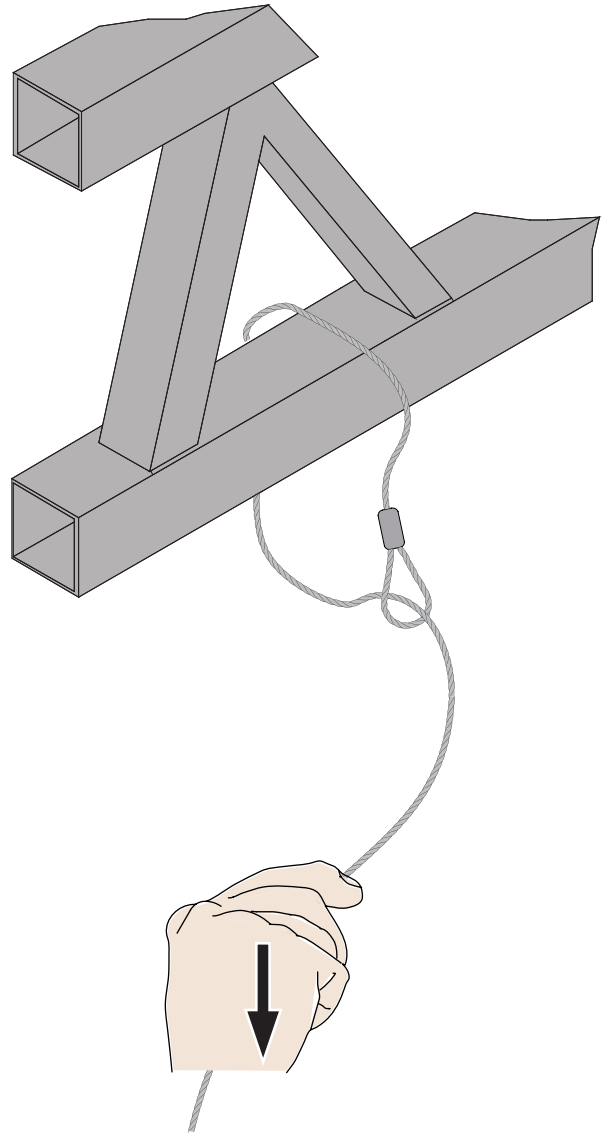
Concrete Ceiling

- 1) Determine the mounting location.
- 2) Use a 1/4" concrete drill bit to drill the mounting holes.
- 3) Place the concrete eye anchor bolts into the pre-drilled holes and gently tap into place using a rubber mallet or hammer.
- 4) Run the open end 1/16" braided cable through the hole in an eye anchor bolt.
- 5) Run the open end through the loop.
- 6) Pull the open end down until the braided cable tightens around the eye anchor bolt.
- 7) Repeat steps 4-6 for the remaining three mounting points.

Truss Ceiling

- 1) Loop the braided cable around the truss.
- 2) Run the open end 1/16" braided cable through the loop.
- 3) Pull the open end down until the 1/16" braided cable tightens around the truss.
- 4) Repeat steps 1-3 for the remaining three mounting points.


Go to **Quick Lock Operation** on page 8.

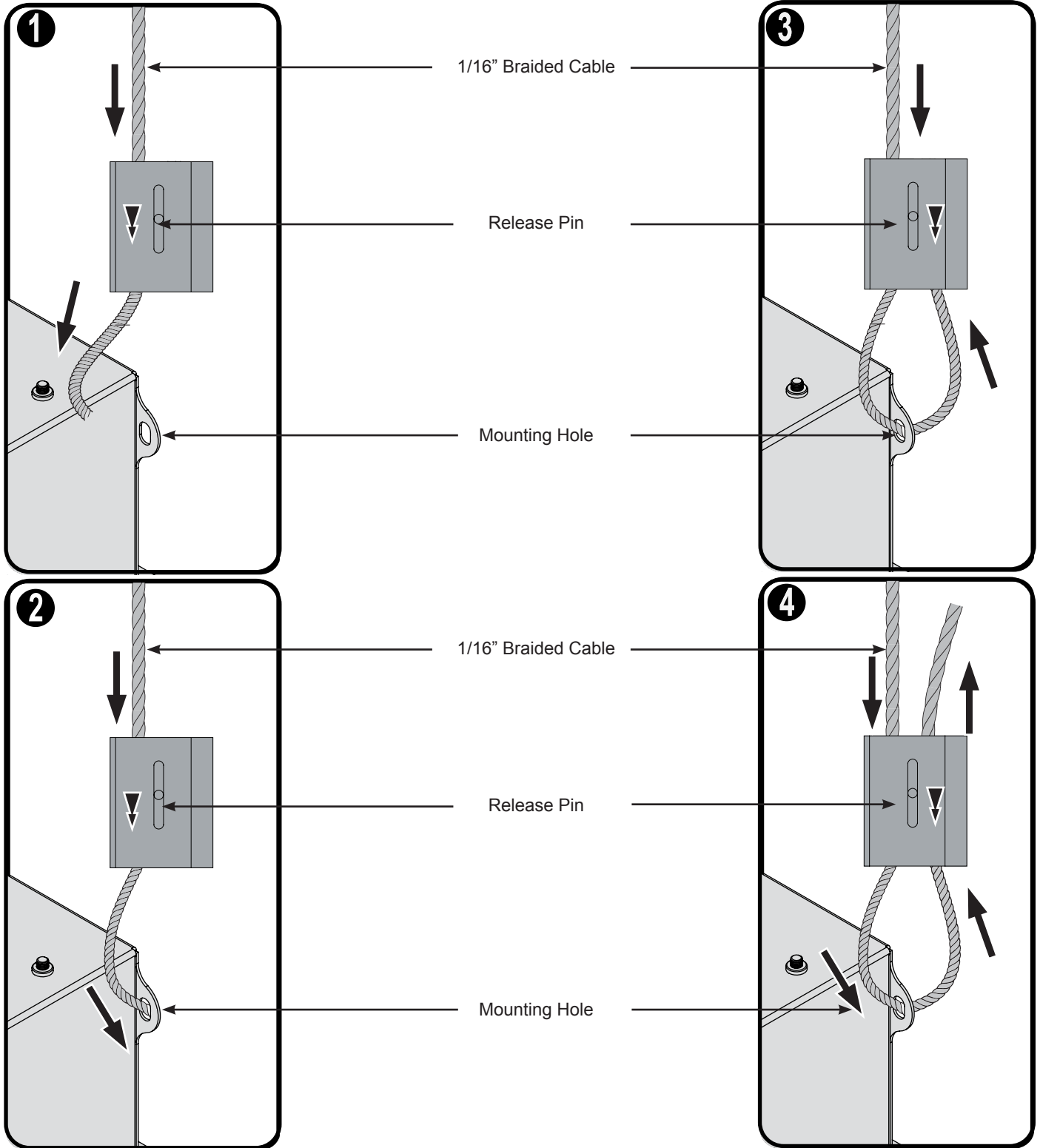
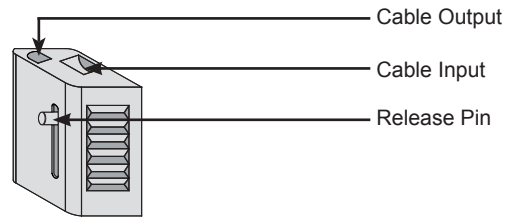
Ceiling Truss

Quick Lock Operation


Step 1


Please follow the steps below in numerical order ①, ②, ③ and ④ to correctly install the Quick Lock Cable Kit.

 To release or relieve tension on the 1/16" braided cable, slide the release pin to disengage.





Step 2


 is recommended that the following steps be performed by two people.


 I est recommandé que les étapes suivantes soient exécutées par deux personnes.

1) Lower the ceiling box into the exposed ceiling framework.

 Make sure the ceiling box is seated completely in the ceiling framework before releasing it.

 S'assurer que la boîte de plafond est bien fixée dans la charpente du plafond avant de la relâcher.

 2) Adjust the 1/16" braided cable so that the cable forms a 15° angle away from the corner of the ceiling box.

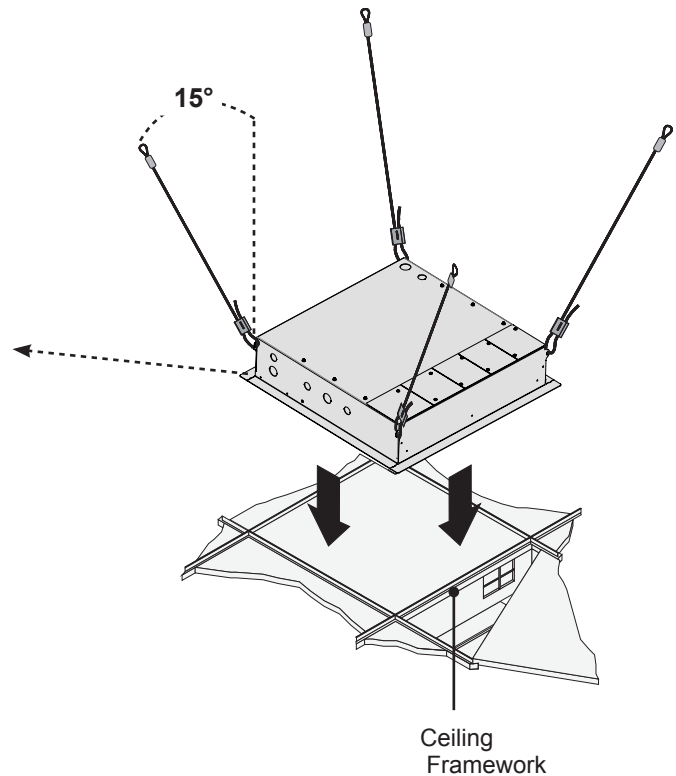
 When adjusting the tension of the weight-bearing side of the Quick Lock, the 1/16" braided cable must be pulled through the Quick Lock until the desired tension is attained. Do not overtighten.

3) When you have the desired tension, pull the 1/16" braided cable through the other side of the Quick Lock.

Once the tension has been adjusted, be sure that there is a minimum of 6" of excess 1/16" braided cable on the non-weight bearing side of the Quick Lock.

4) Use cable cutters to remove any remaining 1/16" braided cable (optional).

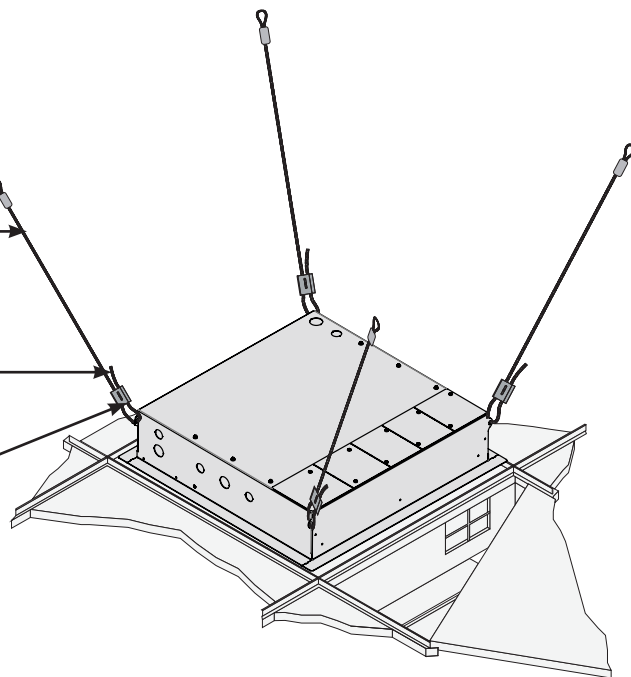
Go to **Wiring the Electrical Box** on page 10.



1/16" Braided
Cable To Ceiling
Attachment

6" Excess
1/16" Braided Cable

Quick Lock



Wiring Requirements



WARNING!

The grounding conductor is to be grounded to earth at the service equipment, or if supplied by a separately derived system, at the supply transformer or motor-generator set.

Verify that all branch circuit (mains) and low-voltage (control) circuits are de-energized, and locked out before installing cables or making connections

Ensure that you are making connections to an on/off breaker panel.

Wiring by a qualified electrician is required.

Check national and local codes before wiring. Select wire size and connectors according to these codes.

Ensure that the total load being plugged into panel DOES NOT EXCEED the circuit breaker rating



Le conducteur de masse doit être mis à la terre au niveau de l'équipement de service, ou s'il est fourni par un système séparément dérivé, au niveau du transformateur d'énergie ou du groupe générateur de moteur.

Vérifier que tout le circuit de dérivation (réseau d'alimentation) et les circuits basse tension (commande) sont désactivés, et bloqués avant de procéder à l'installation des câbles ou aux différents raccordements

S'assurer que les raccordements se font sur un panneau de sectionnement de marche/arrêt.

Il est obligatoire que l'installation électrique soit exécutée par un électricien qualifié.

Vérifier les codes nationaux et locaux avant d'installer la canalisation électrique. Sélectionner les dimensions de fils et de connecteurs en fonction de ces codes.

S'assurer que la charge totale branchée dans le panneau N'EXCÈDE PAS le calibre du circuit du disjoncteur

Wiring the Electrical Box



WARNING!

Do not install or modify electrical wiring unless you have read and follow the requirements noted above.



ATTENTION !

Éviter d'installer ou de modifier l'installation électrique à moins d'avoir lu et suivi les exigences susmentionnées.



The smaller knockouts along the sides of the box are to be used for low level signal/low voltage routing. These are NOT for routing main power or signal.



Les plus petites alvéoles le long de la boîte sont destinées à l'acheminement du signal de bas niveau/basse tension. Ces derniers NE doivent PAS être utilisés pour l'acheminement de l'alimentation principale ou du signal.



Identify connection to branch circuit (mains supply) to attain proper grounding/bonding.



Use wire nuts to match and secure wires accordingly. Green denotes the grounding wire, the white and black are for power (Figure A).

Make sure all power is disconnected before making connections.

Remove two (2) M4 x 8mm Phillips combo screws to detach the electrical box from the ceiling box (Figure 2).

- Punch out the appropriate power knockout(s) on the side of the ceiling box (Figure 1).
- Hook up all loose wiring in the electrical box.
- Re-install the electrical box inside the ceiling box.

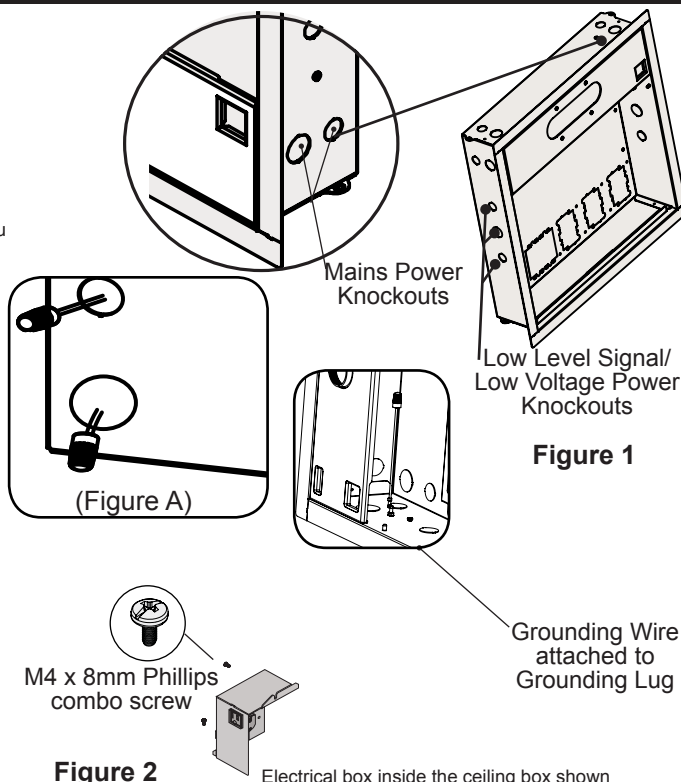


Figure 2

Electrical box inside the ceiling box shown

Removing the Electrical Knockouts (optional)



WARNING!

The 1-and 2-gang electrical knockouts on the back of the box are main power. Only install the electrical box facing down, towards the floor & away from the upper ceiling structure (Figure 3).



ATTENTION!

Les alvéoles électriques à 1-et 2-broches à l'arrière de la boîte sont rattachées à l'alimentation principale. Installer simplement la boîte électrique face à terre, tournée vers le pavement et écartée de la charpente du plafond supérieure (Figure 3).

- 1) Remove screws from around the desired electrical knockouts (Figure 1) to detach their covers.
- 2) Remove the knockout covers from the top of the GB-AVSTOR5 (Figure 2).



If you no longer want to use a knockout, re-attach its cover to prevent excessive airflow into the ceiling.

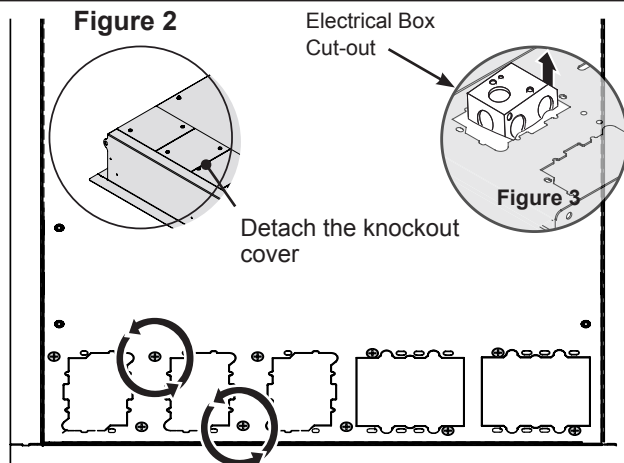


Figure 1

1- and 2-gang electrical knockouts inside the GB-AVSTOR5

Mounting Tray Installation



For ease of installation, the mounting tray comes packaged in a separate box within the master carton. Installers may pre-wire the mounting tray prior to the GB-AVSTOR5 ceiling box installation. Zip ties are included for your convenience. Please contact Premier Mounts for additional zip ties if needed.

Attaching Equipment to the Tray

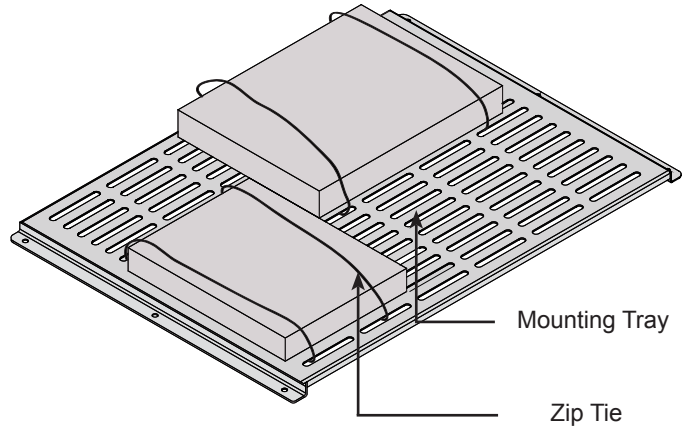
- 1) Place your electronic components onto the mounting tray. The max weight that can be installed on mounting tray is 10lb.
- 2) Align the electronic components so that the weight is distributed as evenly as possible.
- 3) Run the zip ties through the mounting slots on the tray, underneath the mounting tray and up through the mounting slot on the other side of the electronic component.
- 4) Tighten the zip tie down and cut off any excess zip tie.



As a reminder, when installing equipment, secure with a minimum of 2 zip ties, one per side. If very large, please use a total of 4 zip ties, 2 per side.



As a reminder, when installing equipment to the mounting tray, adhere to the proper installation of all components to ensure proper ventilation.



Attaching the Mounting Tray to the GB-AVSTOR5

- 1) Insert four (4) M5 x 8mm Phillips head screws loosely into the outer holes inside the GB-AVSTOR5 (Figure 1).
- 2) Place the mounting tray into the middle section of the GB-AVSTOR5 (Figure 2).
- 3) Hook the mounting tray onto the heads of the M5 x 8mm Phillips head screws on the GB-AVSTOR5 (Figure 3).
- 4) Insert two (2) M5 x 8mm Phillips head screws into the middle mounting holes of the mounting tray.
- 5) Use a Phillips tip screwdriver to tighten all six (6) screws.



Do not overtighten the mounting screws.



Éviter de trop serrer les vis de montage.

Continue to **Ceiling NPT Adapter Plate Adjustment** on page 12.

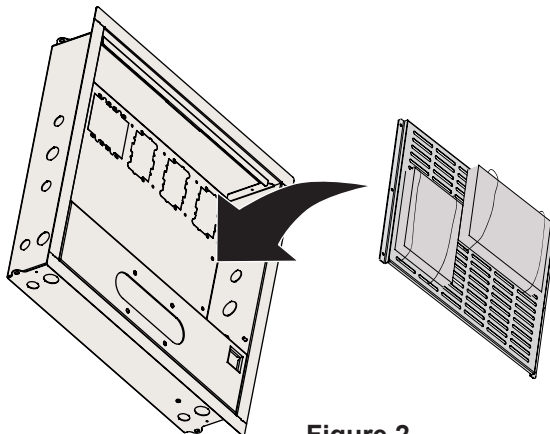
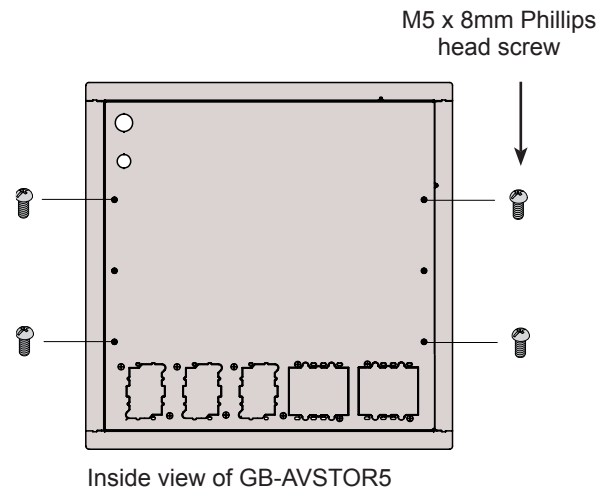


Figure 2



M5 x 8mm Phillips head screw

Inside view of GB-AVSTOR5

Figure 1

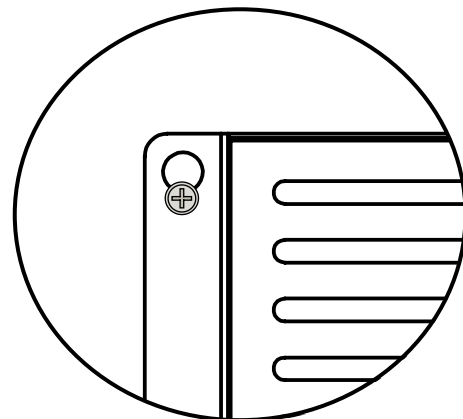
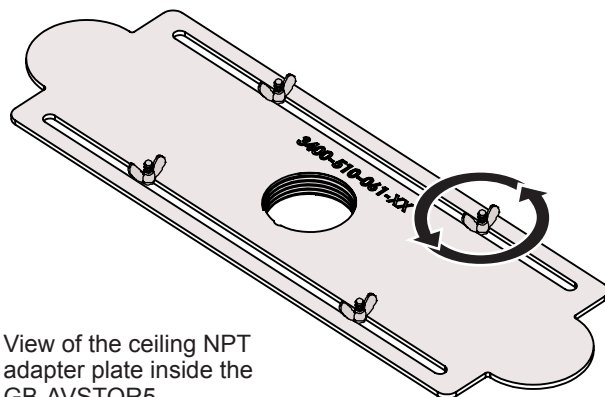


Figure 3

Ceiling NPT Adapter Plate Adjustment

- 1) Locate the pre-installed ceiling NPT adapter plate inside the GB-AVSTOR5.
- 2) Loosen the wingnuts.
- 3) Slide the ceiling NPT adapter plate to the desired position.
- 4) Re-tighten the wingnuts.

Continue to **Securing the 1 1/2" NPT Pipe to the GB-AVSTOR5** below.





View of the ceiling NPT adapter plate inside the GB-AVSTOR5

Securing the 1 1/2" NPT Pipe to the GB-AVSTOR5

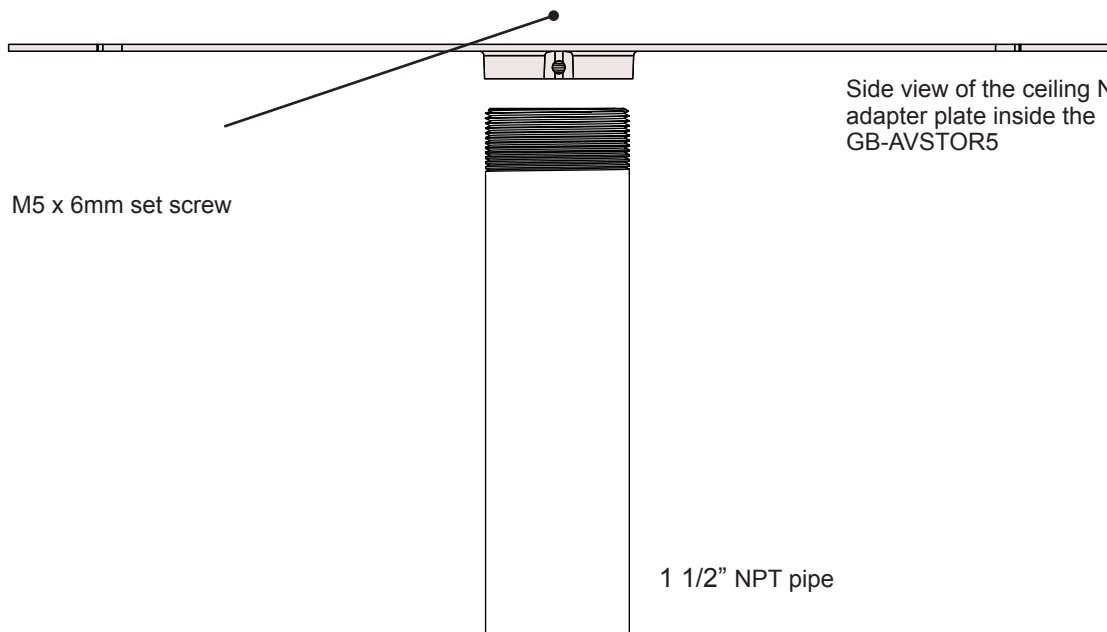
- 1) Secure the 1 1/2" NPT pipe to the mounting coupler and tighten the pipe.
- 2) The NPT pipe must complete a minimum of three (3) full rotations in order to ensure that it is secured .

Use one (1) M5 x 6mm set screw to secure the pipe to the plate.

 The M5 x 6mm set screw must be used to stabilize the 1 1/2" NPT pipe.

 La vis de réglage M5 x 6 mm doit être utilisée pour stabiliser le tuyau NPT de 1 1/2".

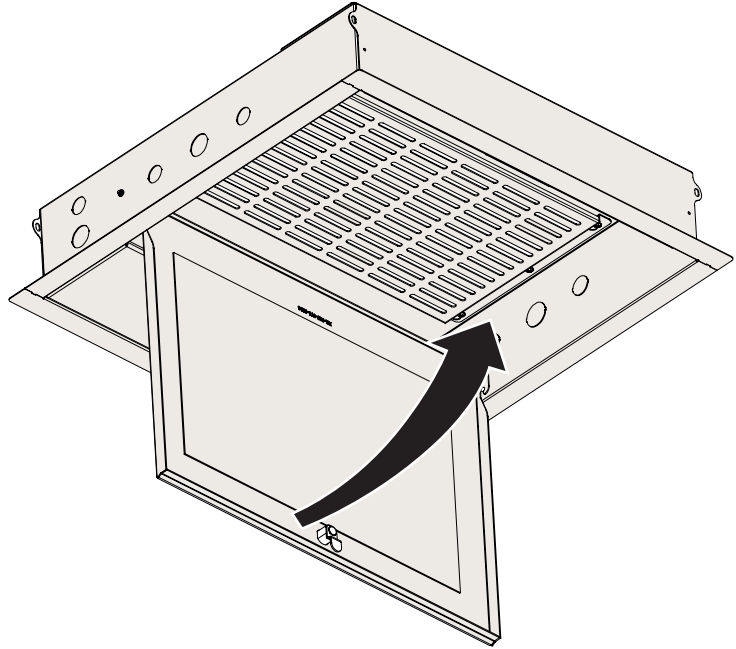
Go to **Securing the Lid** on page 13.



Securing the Lid

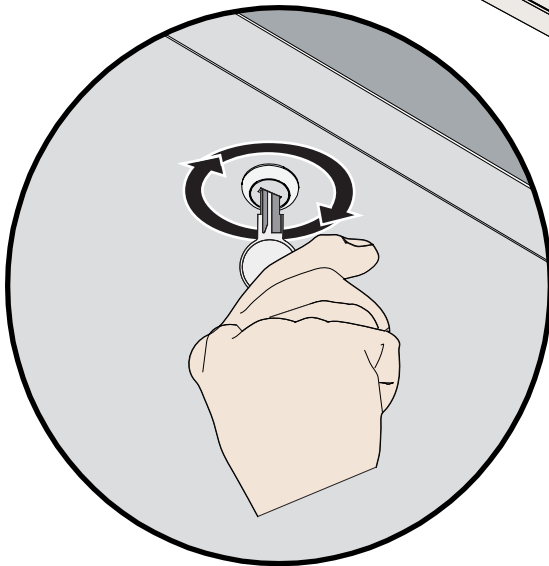
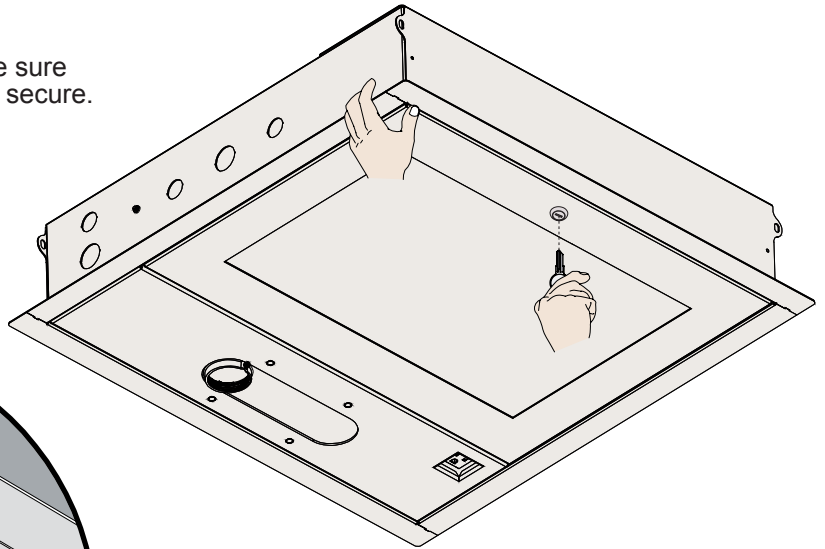
Step 1

- 1) Re-attach the ceiling box lid to the ceiling box.
- 2) Swing the ceiling box lid up into place.



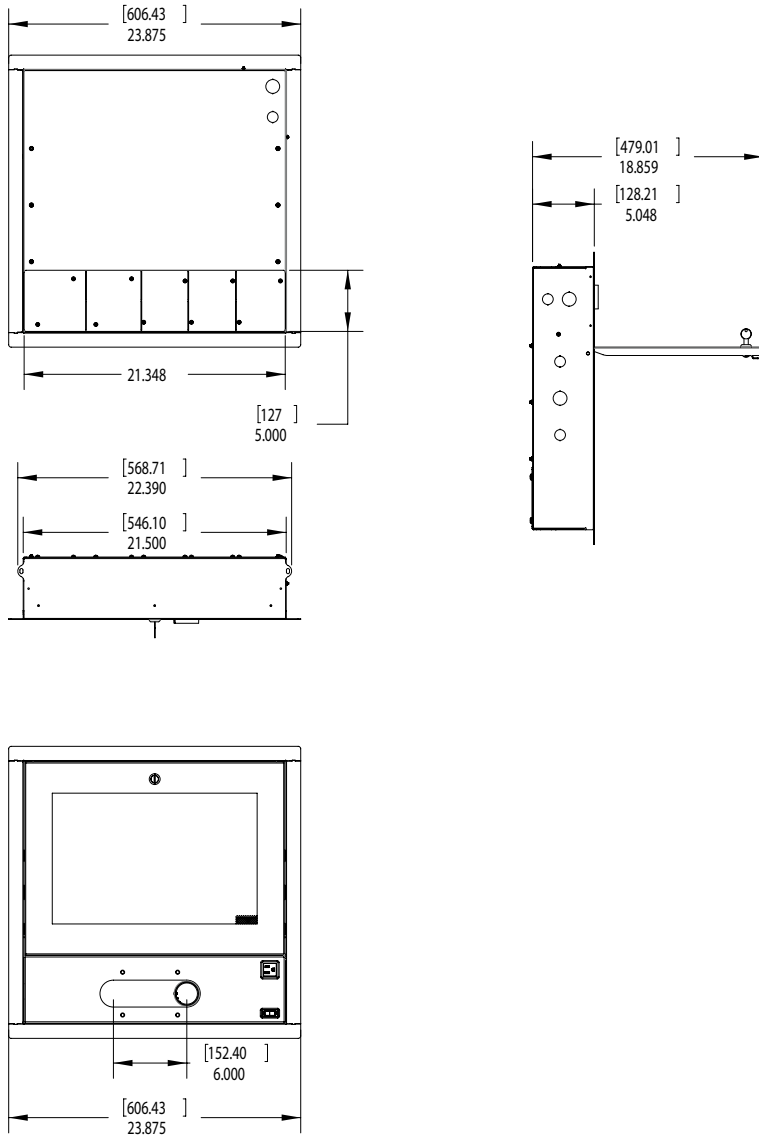
Step 2

- 1) Hold the lid in place.
- 2) Use a key (supplied) to lock the lid in place.
- 3) Do not release the ceiling box lid until you are sure that the lock has been engaged and the lid is secure.



Technical Specifications

All measurements are in inches [mm].



©PREMIER MOUNTS
 500 W Central Ave, Suite A
 Brea, CA 92821

USA & CANADA
 Phone: 800-368-9700
 Fax: 800-832-4888
 e. orders@premiermounts.com

