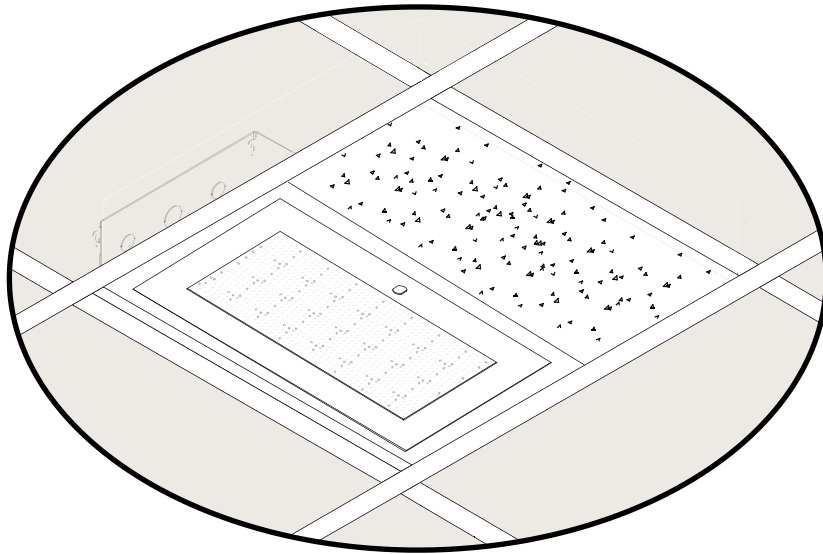


# GB-AVSTOR4

## Installation Guide

Installationsanleitung, Guía de Instalación, Guida de Installazione, Guide d'Installation, Installatie gids



[premiermounts.com](http://premiermounts.com) | p. 800.368.9700 | e. [orders@premiermounts.com](mailto:orders@premiermounts.com)  
500 W Central Ave, Suite A, Brea, CA 92821 USA

## Weight Limit

Maximum Flat Panel Weight: **50 lbs.**

THE CEILING STRUCTURE MUST BE CAPABLE OF SUPPORTING AT LEAST FOUR TIMES THE WEIGHT OF THE CEILING BOX. IF NOT, THE CEILING STRUCTURE MUST BE REINFORCED.

## Warning Statements



PRIOR TO THE INSTALLATION OF THIS PRODUCT, THE INSTALLATION INSTRUCTIONS MUST BE READ AND COMPLETELY UNDERSTOOD. KEEP THESE INSTALLATION INSTRUCTIONS IN AN EASILY ACCESSIBLE LOCATION FOR FUTURE REFERENCE.



PROPER INSTALLATION PROCEDURE BY A QUALIFIED SERVICE TECHNICIAN MUST BE FOLLOWED, AS OUTLINED IN THESE INSTALLATION INSTRUCTIONS. FAILURE TO DO SO COULD RESULT IN PROPERTY DAMAGE, SERIOUS PERSONAL INJURY, OR EVEN DEATH.



SAFETY MEASURES MUST BE PRACTICED AT ALL TIMES DURING THE ASSEMBLY OF THIS PRODUCT. USE PROPER SAFETY EQUIPMENT AND TOOLS FOR THE ASSEMBLY PROCEDURE TO PREVENT PERSONAL INJURY.



PREMIER MOUNTS DOES NOT WARRANT AGAINST DAMAGE CAUSED BY THE USE OF ANY PREMIER MOUNTS PRODUCT FOR PURPOSES OTHER THAN THOSE FOR WHICH IT WAS DESIGNED OR DAMAGE CAUSED BY UNAUTHORIZED ATTACHMENTS OR MODIFICATIONS, AND IS NOT RESPONSIBLE FOR ANY DAMAGES, CLAIMS, DEMANDS, SUITS, ACTIONS OR CAUSES OF ACTION OF WHATEVER KIND RESULTING FROM, ARISING OUT OF OR IN ANY MANNER RELATING TO ANY SUCH USE, ATTACHMENTS OR MODIFICATIONS.



At least two qualified people should perform the assembly procedure. Personal injury and/or property damage can result from dropping or mishandling the flat panel.

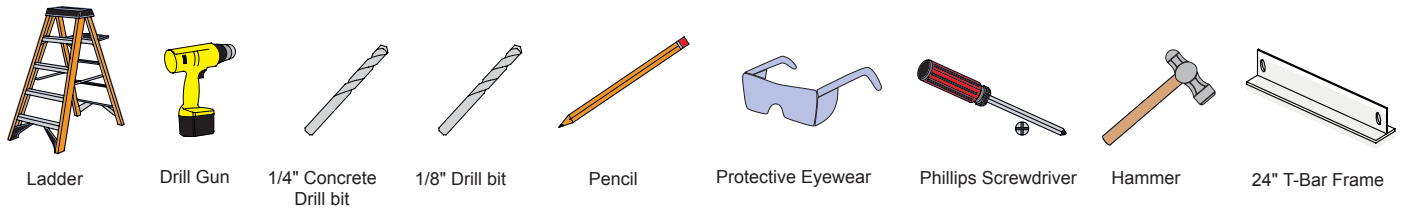


This product is intended for indoor use only. Use of this product outdoors could lead to product failure and/or serious personal injury.

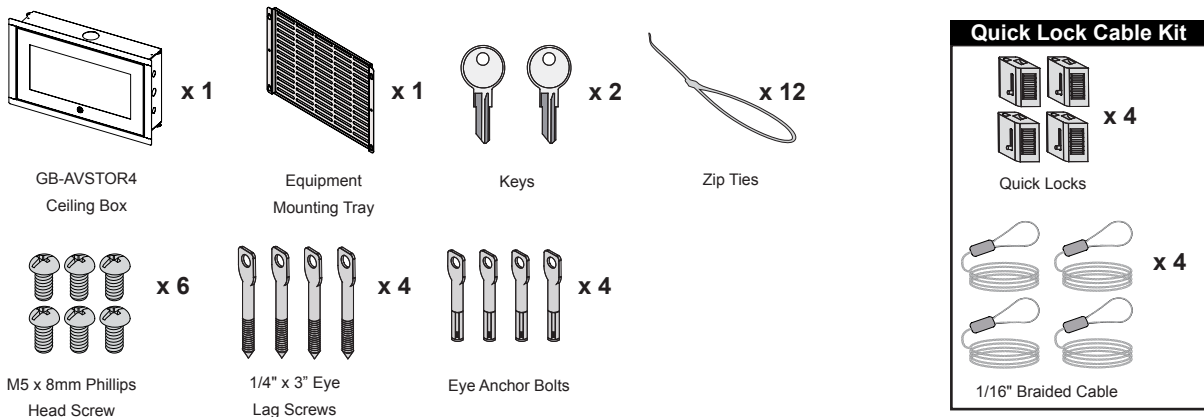


Do not install near sources of high heat. Do not install on a structure that is prone to vibration, movement or chance of impact.

## Required for installation



## Included components



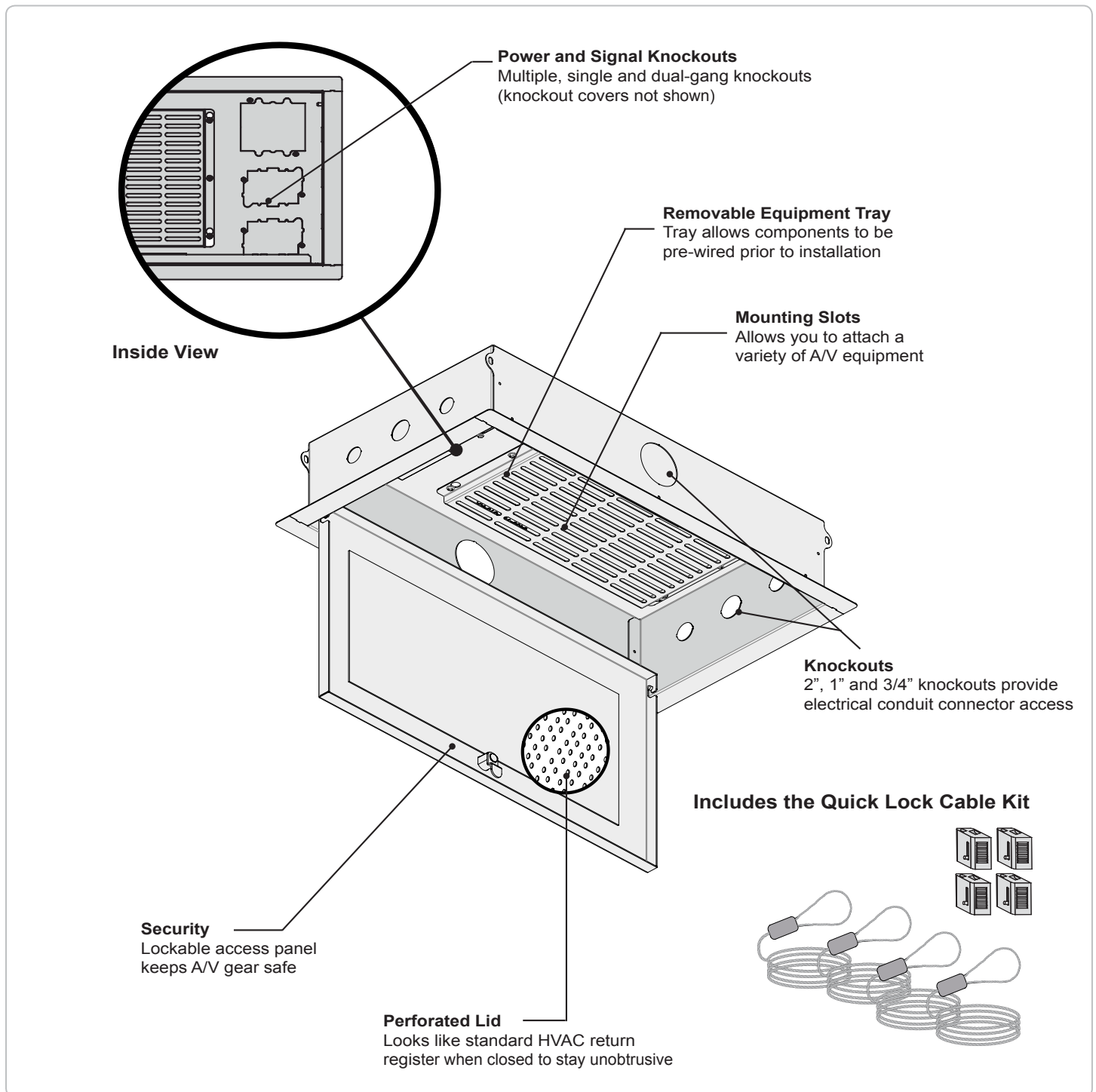
# GB-AVSTOR4

## Installation Guide

Installationsanleitung, Guía de Instalación, Guida de Installazione, Guide d'Installation, Installatie gids

### Features

The GB-AVSTOR4 Ceiling Equipment Storage GearBox™ is a secure and discreet storage solution. Simply replace half of a standard 2' x 2' ceiling tile with the GB-AVSTOR4 to hide your electronic and electrical components above the room. The perforated lid looks like a standard HVAC return register when closed to blend in with the rest of the ceiling.



# GB-AVSTOR4

## Installation Guide

Installationsanleitung, Guía de Instalación, Guida de Installazione, Guide d'Installation, Installatie gids

### Introduction

Please read these installation instructions thoroughly before installing your Premier Mounts product.

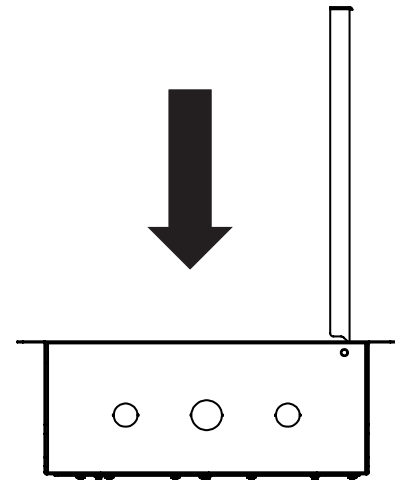
Please take a minute to familiarize yourself with the contents of the package and make sure you have all the parts and tools you need to safely complete the installation.

In addition, some steps of this installation may require two people to prevent personal injury and/or damage to your equipment. Please observe all warnings in the following installation procedure and utilize proper safety equipment at all times.

### Lid Removal

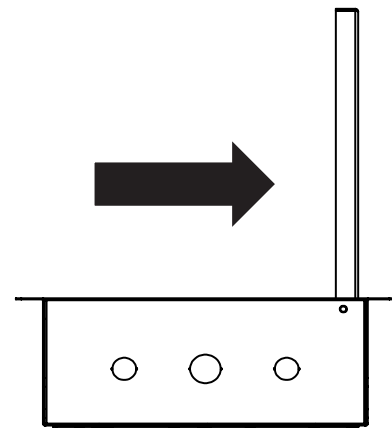
1. Unlock and swing up the lid.
2. Push the lid in and away from the metal hinges (Figure 1).
3. Push the lid toward the closest edge of the ceiling box (Figure 2).
4. Pull the lid carefully out from the ceiling box.

Figure 1



Ceiling Box Side View

Figure 2



# GB-AVSTOR4 Installation Guide

Installationsanleitung, Guía de Instalación, Guida de Installazione, Guide d'Installation, Installatie gids

## Removing the Electrical Knockouts (Optional)



Installation of the power must be done by an electrician

Remove screws from around the desired electrical Knockouts (Figure 1) to detach their covers.

Remove the knockout covers from the top of the GB-AVSTOR4 (Figure 2).

Remove the knockouts.



If you have opened a knockout and no longer want to use it, re-attach its cover to prevent airflow into the ceiling.

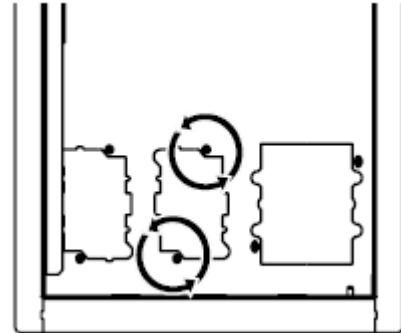


Figure 1

Detach the knockout cover after removing its screws.

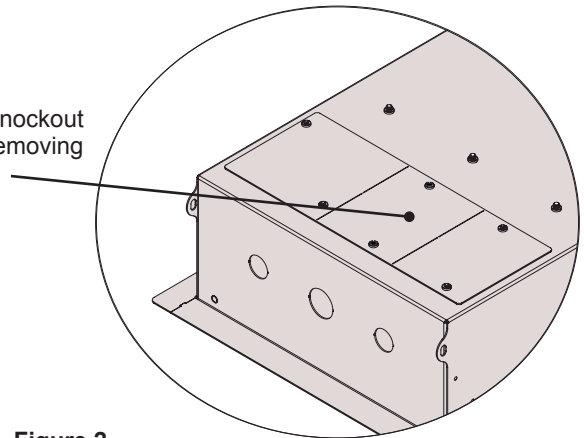


Figure 2

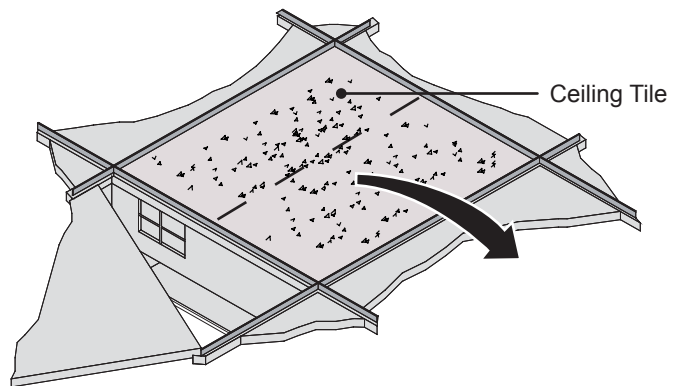
## Ceiling Box Installation

1. Determine the desired placement of the GB-AVSTOR4.

2. Cut and remove half of the ceiling tile where the ceiling box will be mounted.



Store the half-ceiling tile in a safe location in the event that it needs to be reused.



# GB-AVSTOR4

## Installation Guide

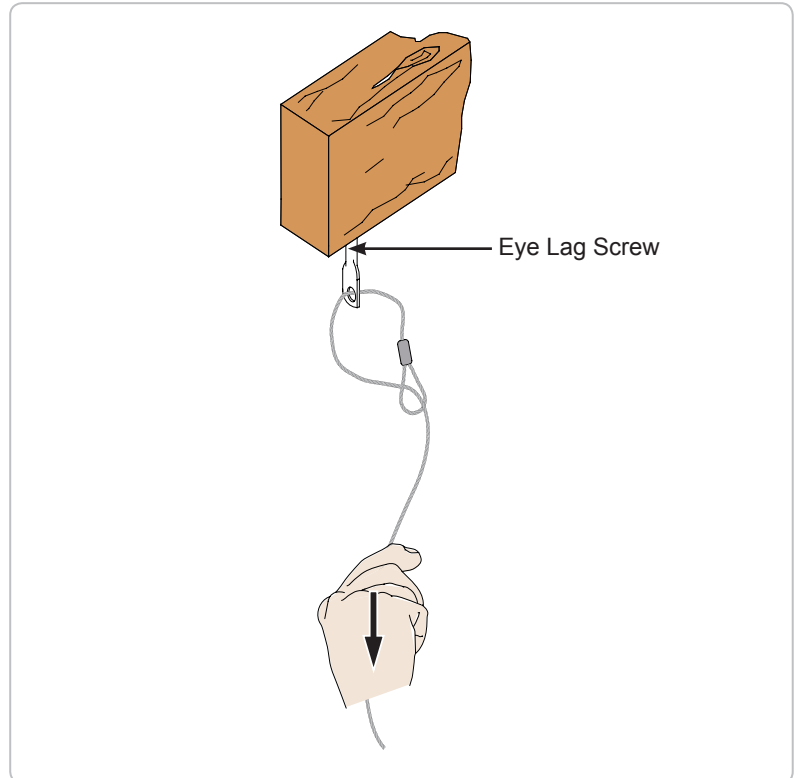
Installationsanleitung, Guía de Instalación, Guida de Installazione, Guide d'Installation, Installatie gids

### Ceiling Attachment

The ceiling box must be secured using the Quick Lock and 1/16" braided cables (supplied).

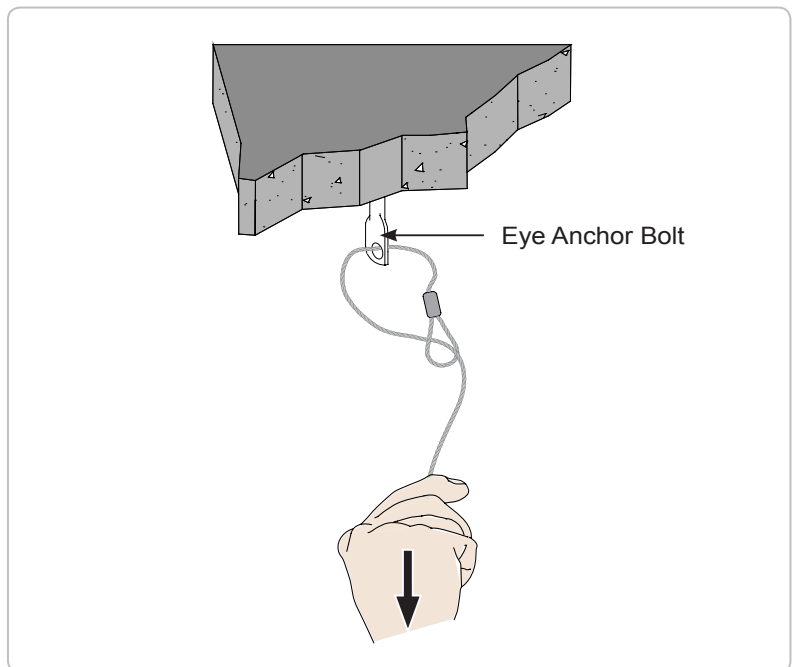
#### Wood Stud Ceiling

1. Determine the mounting location.
2. Use a 1/8" drill bit to pre-drill the mounting holes.
3. Secure the four (4) 1/4" eye lag screws to the wood stud in the ceiling.
4. Run the open end of the 1/16" braided cable through the hole in an eye lag screw.
5. Run the open end through the loop.
6. Pull the open end down until the 1/16" braided cable tightens around the eye lag screw.
7. Repeat steps 4-6 for the remaining three mounting points.



#### Concrete Ceiling

1. Determine the mounting location.
2. Use a 1/4" concrete drill bit to drill the mounting holes.
3. Place the concrete eye anchor bolts into the pre-drilled holes and gently tap into place using a rubber mallet or hammer.
4. Run the open end 1/16" braided cable through the hole in an eye anchor bolt.
5. Run the open end through the loop.
6. Pull the open end down until the braided cable tightens around the eye anchor bolt.
7. Repeats steps 4-6 for the remaining three mounting points.



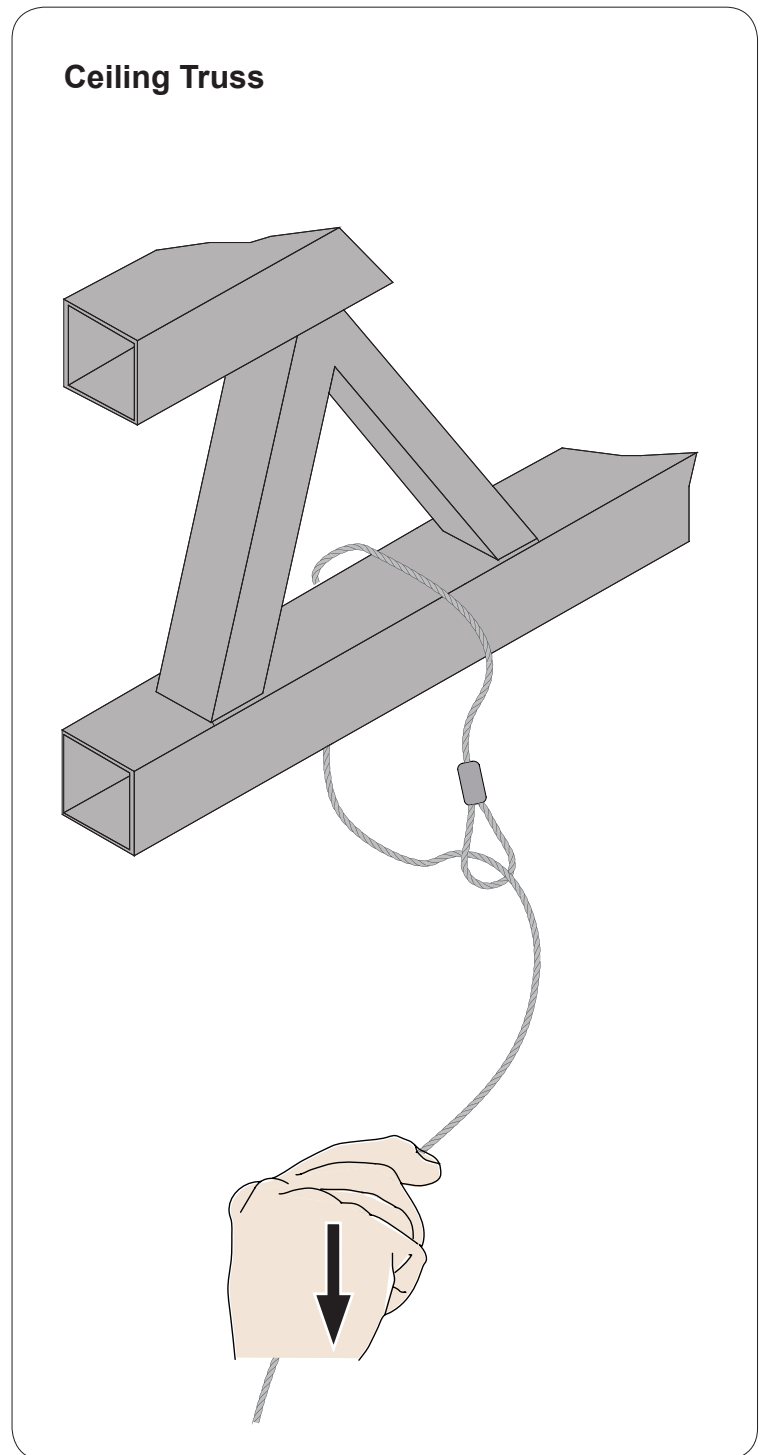
# GB-AVSTOR4

## Installation Guide

Installationsanleitung, Guía de Instalación, Guida de Installazione, Guide d'Installation, Installatie gids

### Truss Ceiling

1. Loop the braided cable around the truss.
2. Run the open end 1/16" braided cable through the loop.
3. Pull the open end down until the 1/16" braided cable tightens around the truss.
4. Repeat steps 1-3 for the remaining three mounting points.




# GB-AVSTOR4

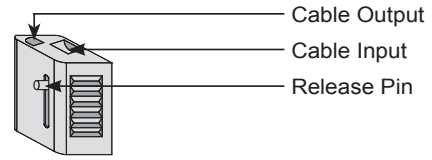
## Installation Guide

Installationsanleitung, Guía de Instalación, Guida de Installazione, Guide d'Installation, Installatie gids

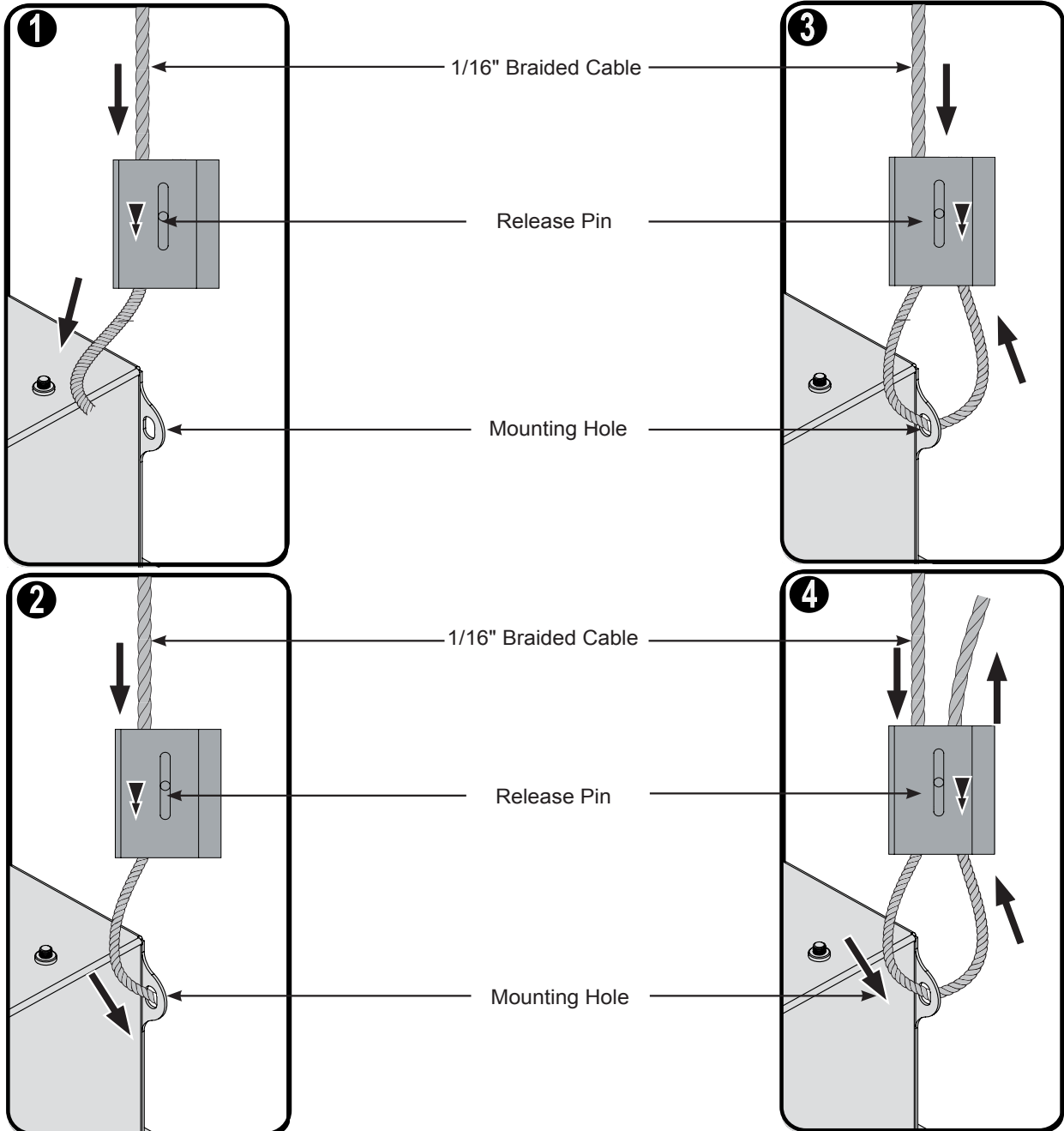
### Quick Lock Operation

Please follow the steps below in numerical order (1), (2), (3), and (4) to correctly install the Quick Lock Cable Kit.

 To release or relieve tension on the 1/16" braided cable, slide the release pin to disengage.



1





# GB-AVSTOR4 Installation Guide

Installationsanleitung, Guía de Instalación, Guida de Installazione, Guide d'Installation, Installatie gids

2



It is recommended that the following steps be performed by two people.

1. Lift the ceiling box from the exposed ceiling framework until the ceiling box's outer lip rests against the bottom of the ceiling framework (Figure1).
2. Adjust the 1/16" braided cable tension, but do not over tighten.



When adjusting the tension of the weight-bearing side of the Quick Lock, the 1/16" braided cable must be pulled through the Quick Lock until the desired tension is attained.

3. When you have the desired tension, pull the 1/16" braided cable through the other side of the Quick Lock.



Once the tension has been adjusted, be sure that there is a minimum of 6" of excess 1/16" braided cable on the non-weight bearing side of the Quick Lock.

4. Use cutters to remove any remaining 1/16" braided cable (optional).

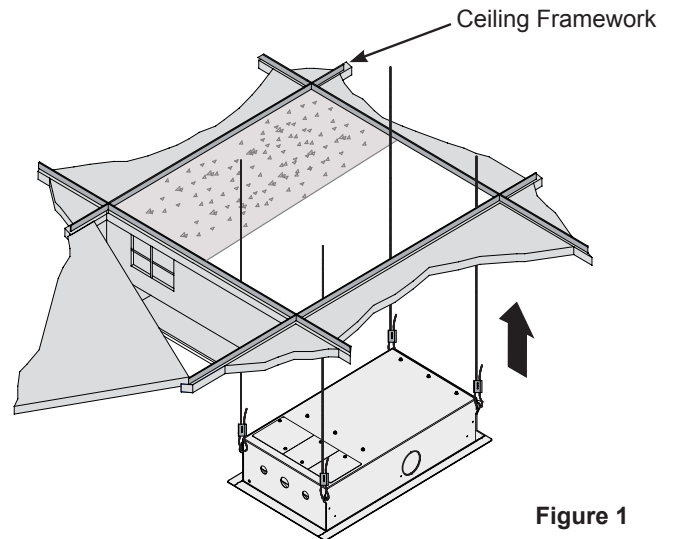


Figure 1

1/16" Braided Cable To Ceiling Attachment

6" Excess 1/16" Braided Cable

Quick Lock

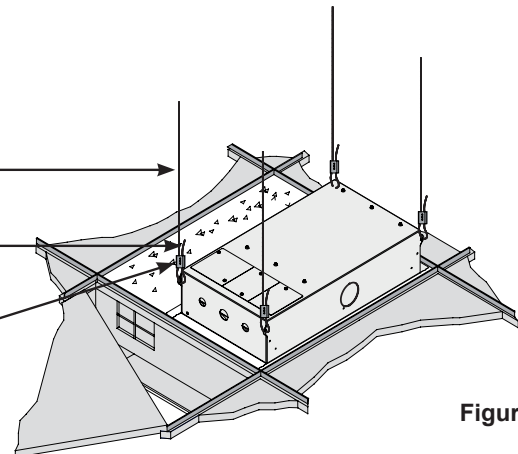


Figure 2



If you are installing the GB-AVSTOR4 through a 24" x 48" ceiling tile opening, attach a 24" T-bar frame (commercially available) in the 24" x 48" ceiling tile frame for support and place a 2' x 2' ceiling tile adjacent to the GB-AVSTOR4 (Figure 3 and 4).

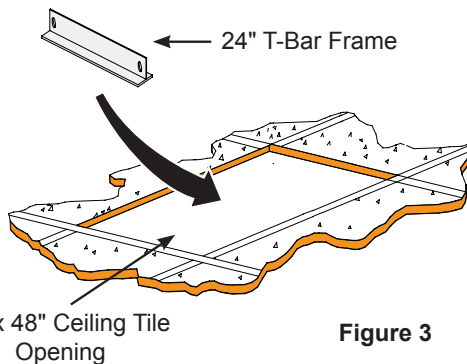


Figure 3

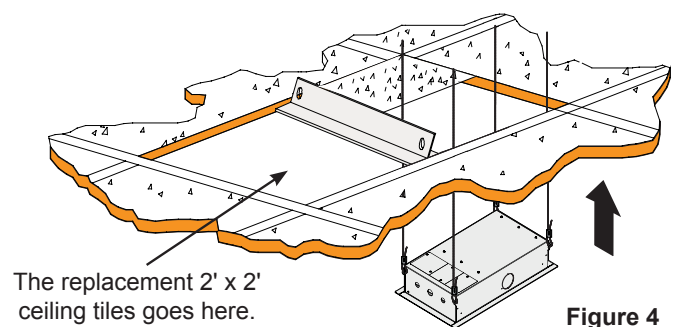


Figure 4



# GB-AVSTOR4

## Installation Guide

Installationsanleitung, Guía de Instalación, Guida de Installazione, Guide d'Installation, Installatie gids

### Mounting Tray Installation



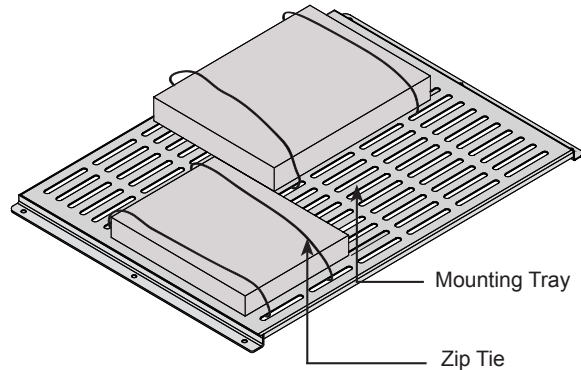
For ease of installation, the mounting tray comes packaged in a separate box within the master carton. Installers may pre-wire the mounting tray prior to the GB-AVSTOR4 ceiling box installation. Zip ties (included), small screws and flat washers are strongly recommended to hold all equipment in place.

### Attaching Equipment to the Tray

1. Place your electronic components onto the mounting tray.
2. Align the electronic components so that the weight is distributed as evenly as possible.
3. Run the zip ties through the mounting slots on the tray, underneath the mounting tray and up through the mounting slot on the other side of the electronic components.
4. Tighten the zip tie down and cut off any excess zip tie.



As a reminder, small screws and flat washers may also be used to attach electronic components to the grid.



### Attaching the Mounting Tray to the GB-AVSTOR4

1. Insert four (4) M5 x 8mm Phillips head screws loosely into the outer holes inside the GB-AVSTOR4 (Figure 1).
2. Place the mounting tray into the middle section of the GB-AVSTOR4 (Figure 2).
3. Hook the mounting tray onto the heads of the M5 x 8mm Phillips head screws on the GB-AVSTOR4 (Figure 3).
4. Insert two (2) M5 x 8mm Phillips head screws into the middle mounting holes of the mounting tray.
5. Use a Phillips tip screwdriver to tighten all six (6) screws.



Do not overtighten the mounting screws.

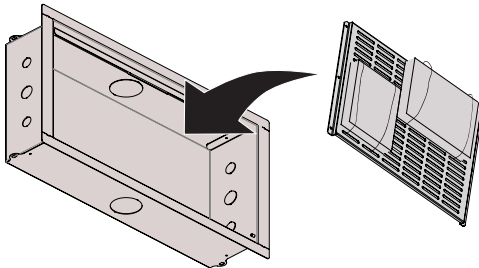


Figure 2

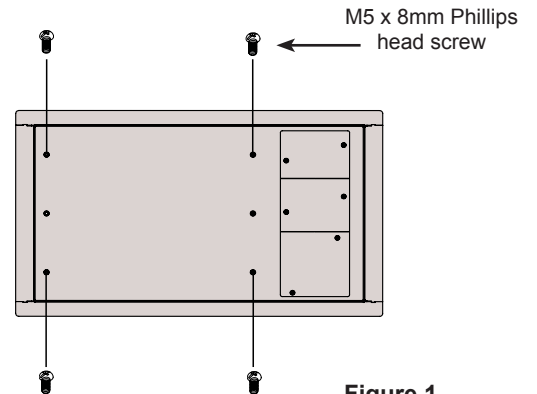


Figure 1

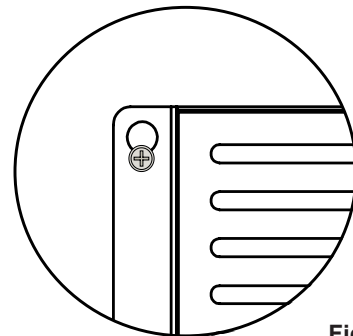


Figure 3



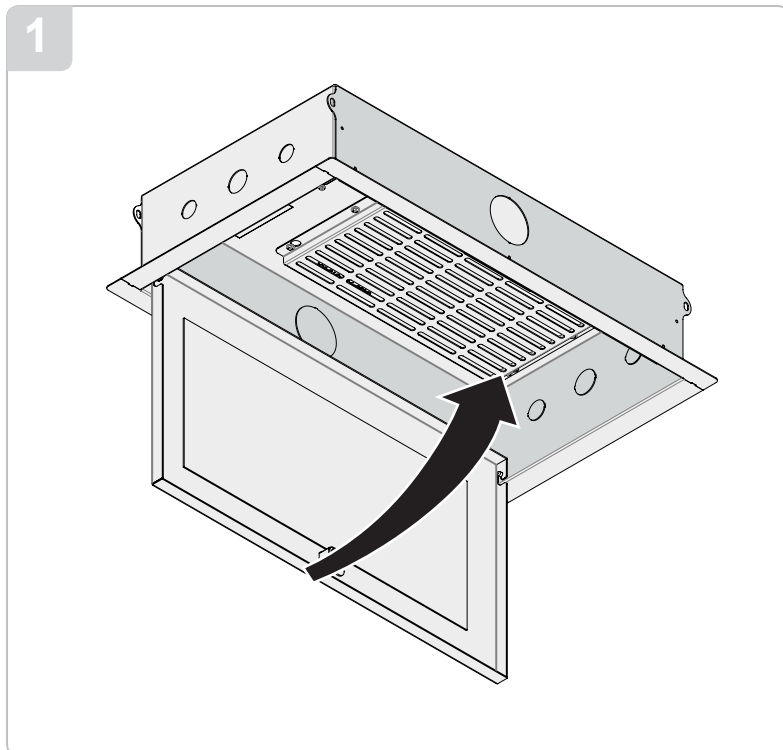
# GB-AVSTOR4

## Installation Guide

Installationsanleitung, Guía de Instalación, Guida de Installazione, Guide d'Installation, Installatie gids

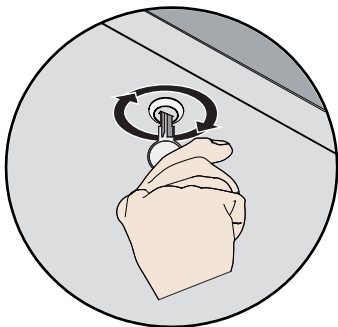
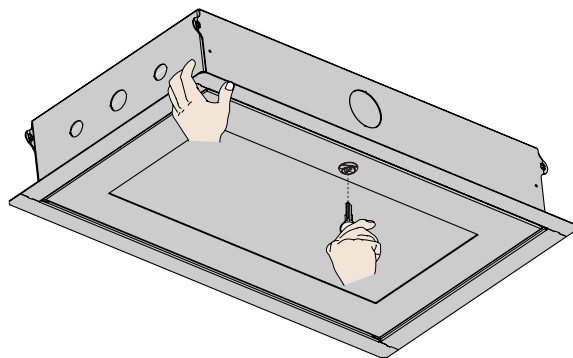
### Securing the Lid

1. Re-attach the ceiling box lid to the ceiling box.
2. Swing the ceiling box lid up into place.



2

1. Hold the lid in place.
2. Use a key (supplied) to lock the lid in place.
3. Do not release the ceiling box lid until you are sure that the lock has been engaged and the lid is secure.



# GB-AVSTOR4

## Installation Guide

Installationsanleitung, Guía de Instalación, Guida de Installazione, Guide d'Installation, Installatie gids

### Technical Specifications

All measurements are in inches (mm).

