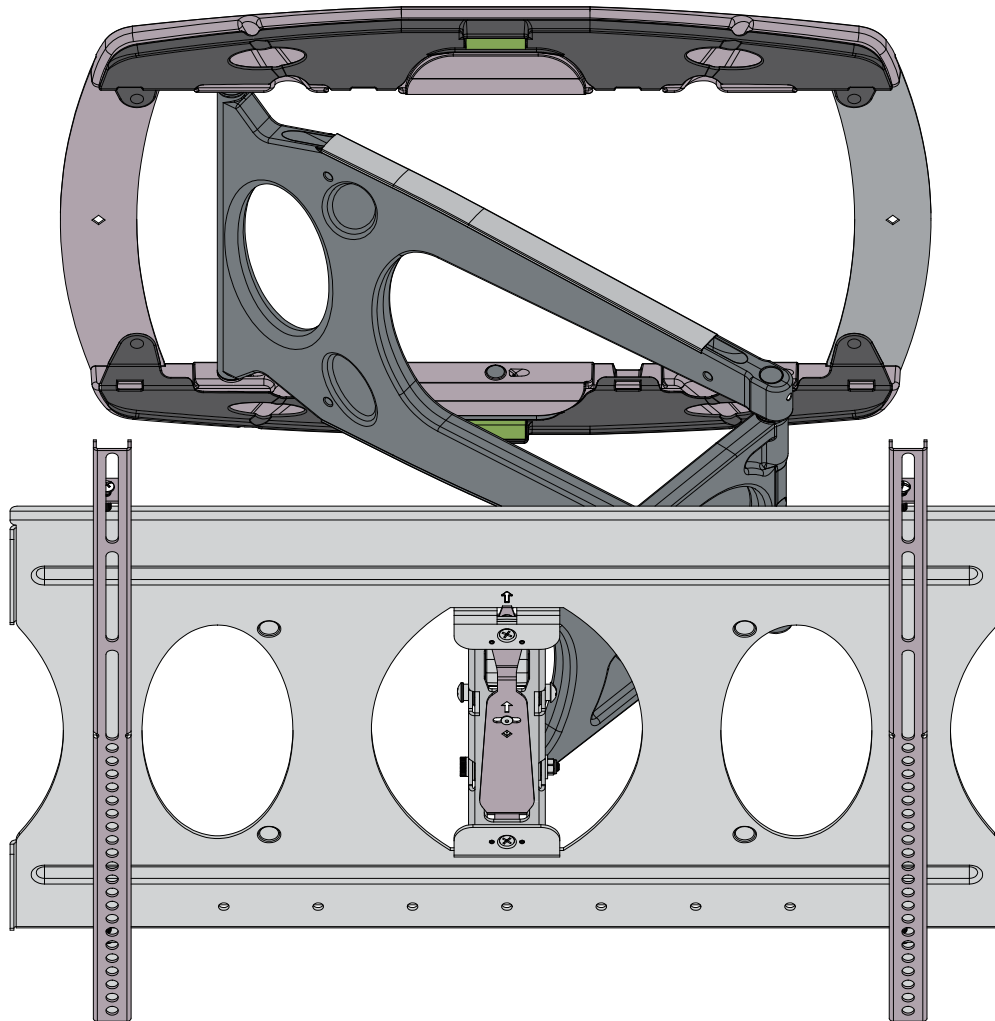


AM100

INSTALLATION GUIDE

Maximum Flat Panel Weight:
100 lb. / 45.5 kg.

Low-Profile Ultra-Slim Swingout Mount for Flat-Panels



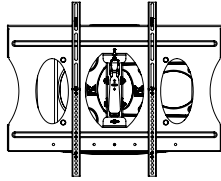
premiermounts.com | p. 800.368.9700 | e. orders@premiermounts.com
500 W Central Ave, Suite A, Brea, CA 92821 USA

AM100

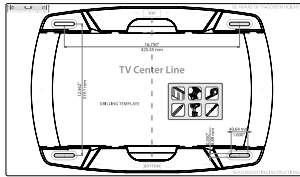
Installation Guide

INCLUDED COMPONENTS

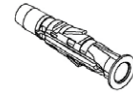
Wall Mount
(Qty 1)



Template
(Qty 1)



Universal Washers
(Qty 4)



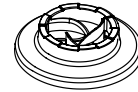
Finned Anchor
(Qty 4)



5/16" x 3" Lag Bolts
(Qty 4)



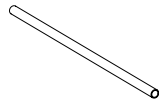
5/16" Flat Washers
(Qty 4)



Universal Spacers
(Qty 8)



10mm Socket
(Qty 1)



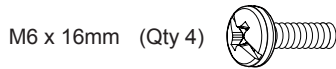
Depth Measuring Straw
(Qty 1)



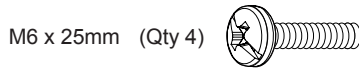
M4 Allen Key
(Qty 1)



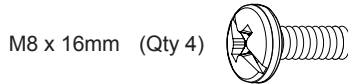
M2.5 Allen Key
(Qty 1)



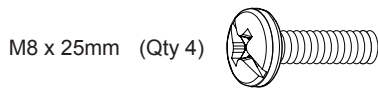
M6 x 16mm (Qty 4)



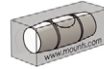
M6 x 25mm (Qty 4)



M8 x 16mm (Qty 4)



M8 x 25mm (Qty 4)

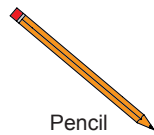


Green Level
(Qty 1)

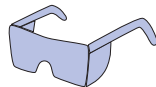
TOOLS FOR INSTALLATION



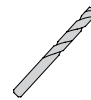
Electronic Stud Finder



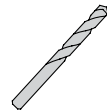
Pencil



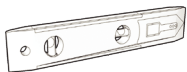
Protective Eyewear



M6 or 1/4" Wood Drill Bit



3/8" Concrete Drill Bit



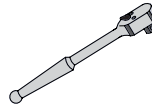
Leveler



Phillips Head Screwdriver



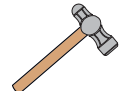
13mm or 1/2" Socket



Socket Wrench



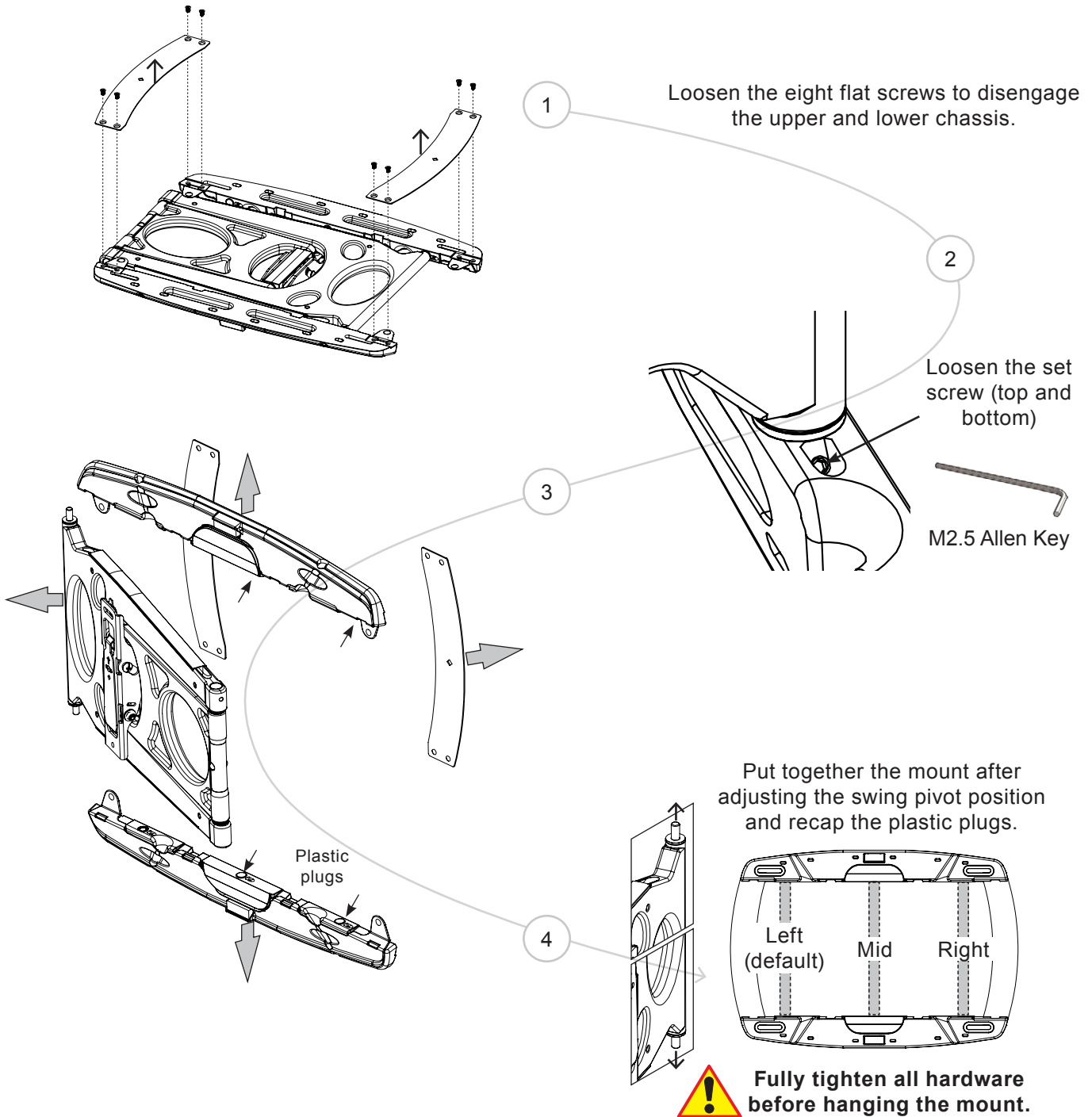
Portable Drill



Hammer



! OPTIONAL: CHANGING THE DEFAULT SWINGOUT PIVOT POSITION

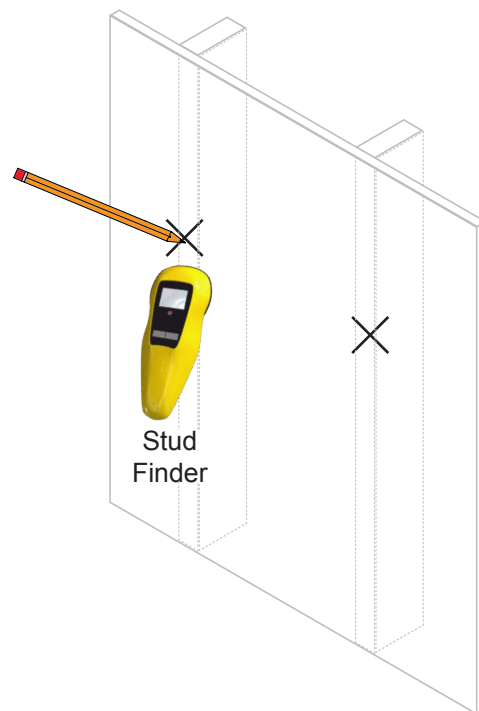


AM100

Installation Guide

1

Find the center of the wood studs and mark the wall with a pencil



FOR CONCRETE APPLICATIONS SEE PAGE 6

2

Position the template to the desired location.

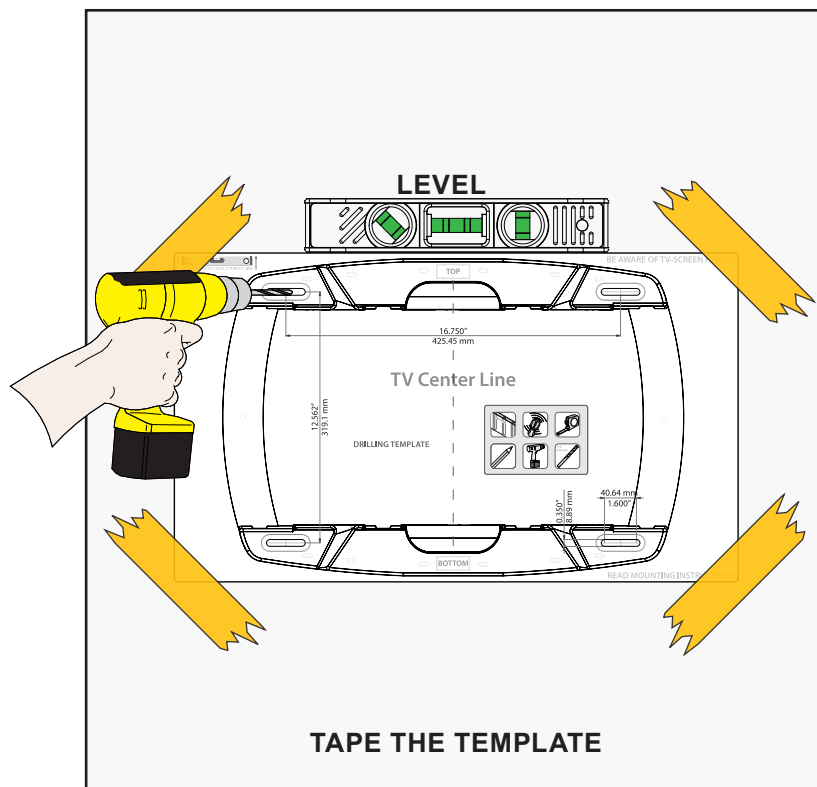
Drill into 4 marked mounting points on the wall surface.

Wood Application:

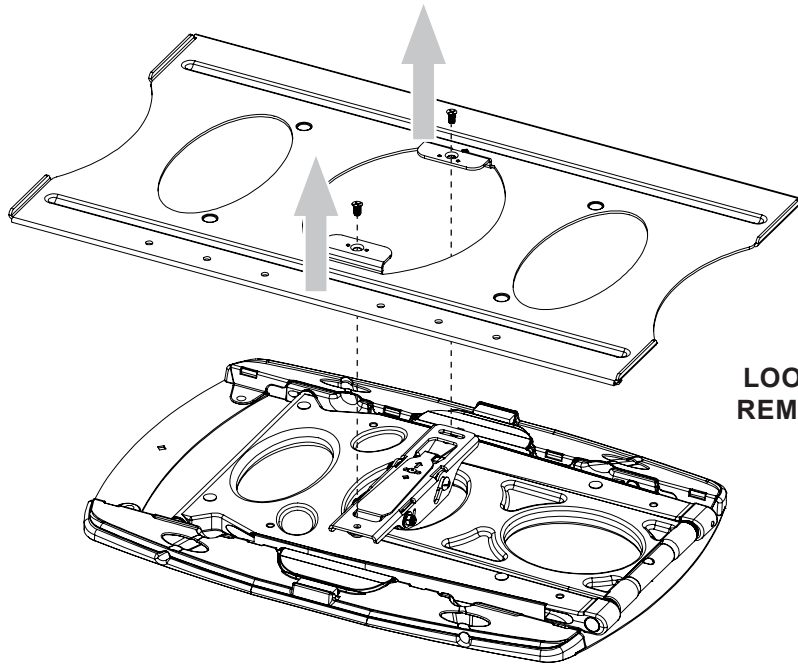
Use 1/4" drill bit

Concrete Application:

Use 3/8" drill bit

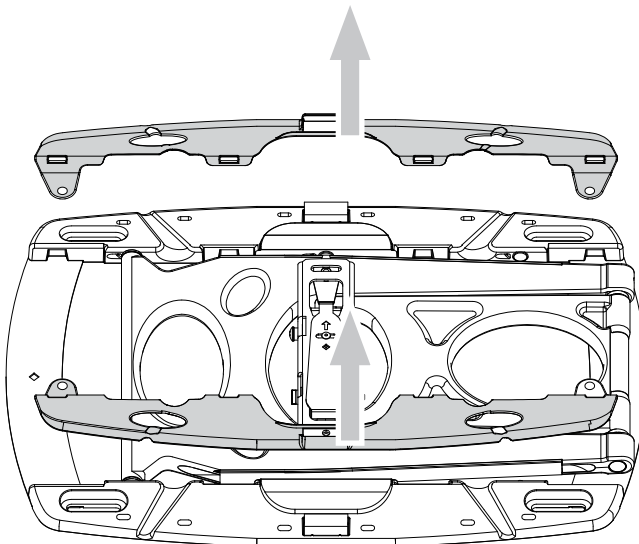


3



LOOSEN THE (2) M5 FLAT SCREWS TO REMOVE THE BRACKET MOUNT PLATE

4



DETACH THE CABLE ACCESS COVERS TO EXPOSE THE MOUNTING LOCATIONS

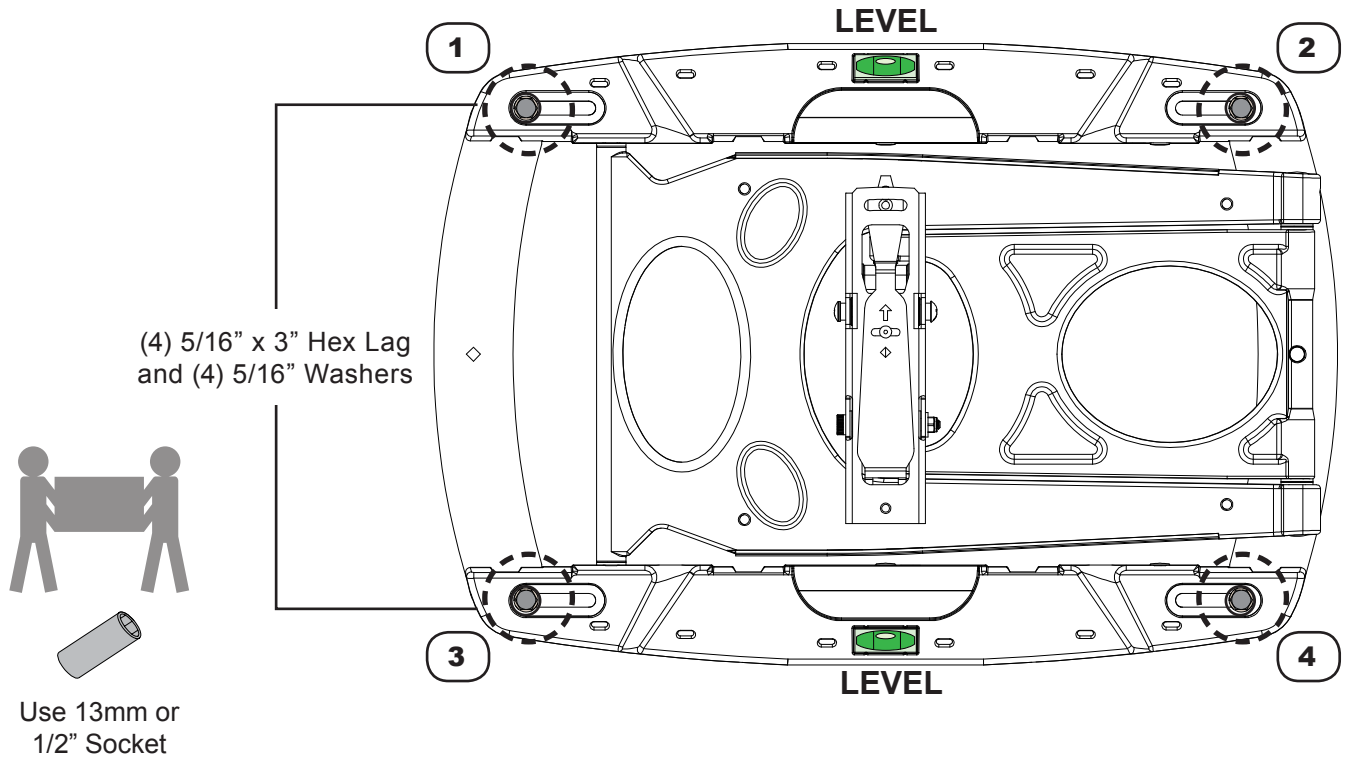


AM100

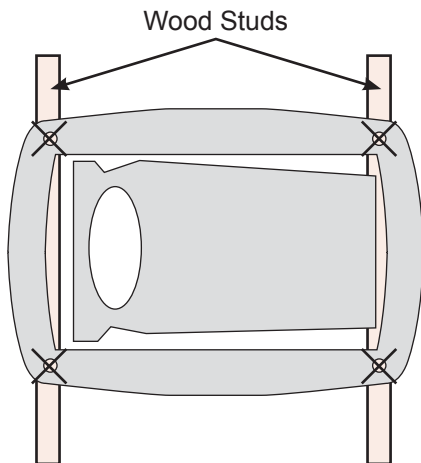
Installation Guide

5

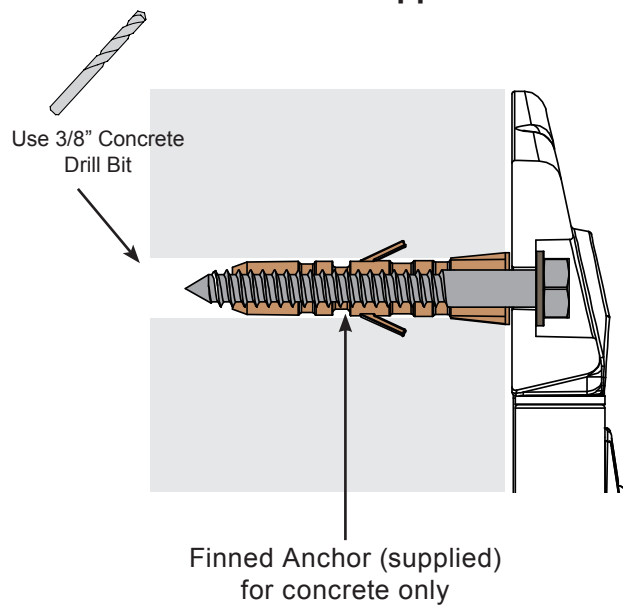
Confirm the placement of the mounting screws before bolting into place.



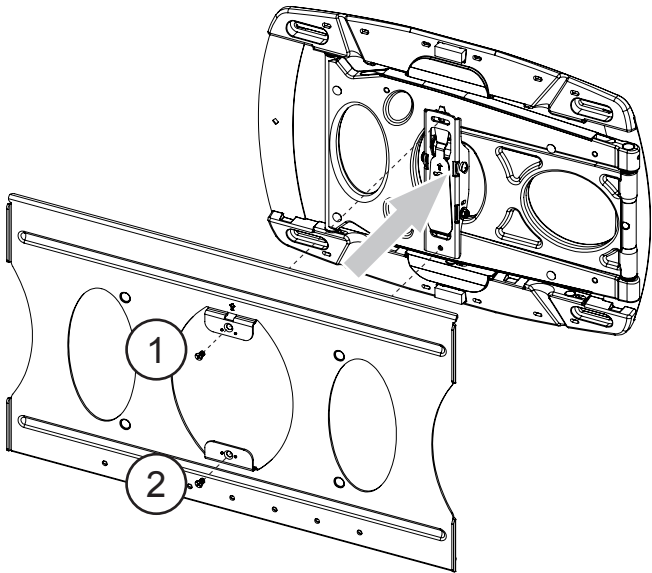
Wood Application



Concrete Application



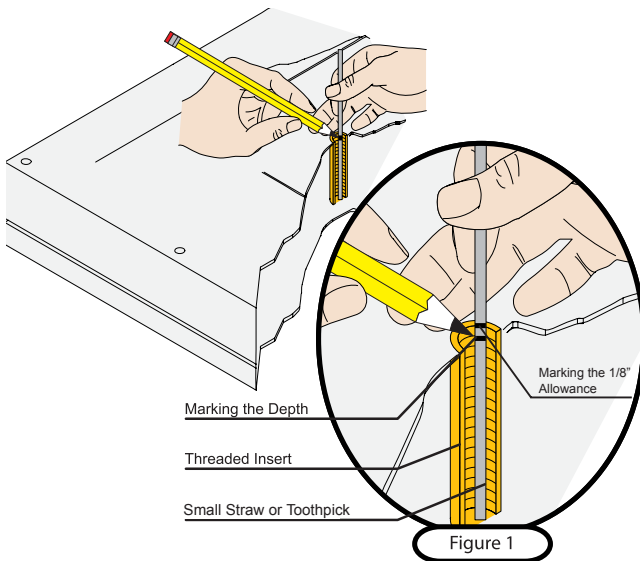
6



FASTEN USING (2) M5 FLAT SCREWS TO SECURE THE BRACKET MOUNT PLATE



7



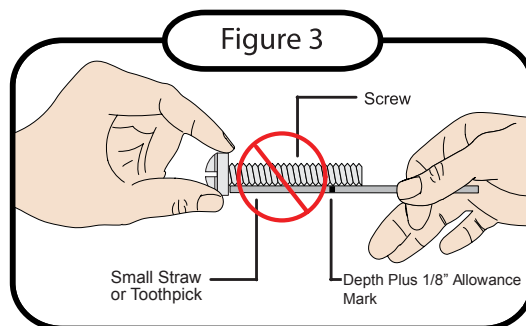
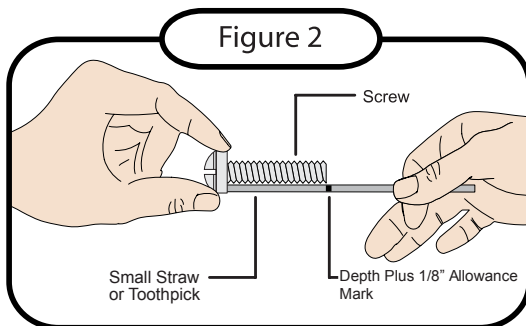
Selecting the Mounting Hardware

- 1) Insert a small straw or toothpick into the threaded inserts found on the back of the flat-panel.
- 2) Use a pencil to mark the depth of the threaded insert on the small straw or toothpick.
- 3) Mark the straw or toothpick 1/8" above the depth of the threaded insert, as shown in Figure 1.
- 4) Insert the small straw or toothpick into the remaining threaded inserts to compare and verify their depth using the straw or toothpick's 1/8" allowance mark.
- 5) Locate the correct diameter screw for the threaded insert.



If the screw you selected is longer than the 1/8" allowance mark on the small straw or toothpick, as shown in Figure 2 and Figure 3, do not use this screw. The screw length must not bypass the mark.

- 6) Test each size of the screws provided.
The correct screws should thread easily into the mounting point and not pull out when tension is applied.

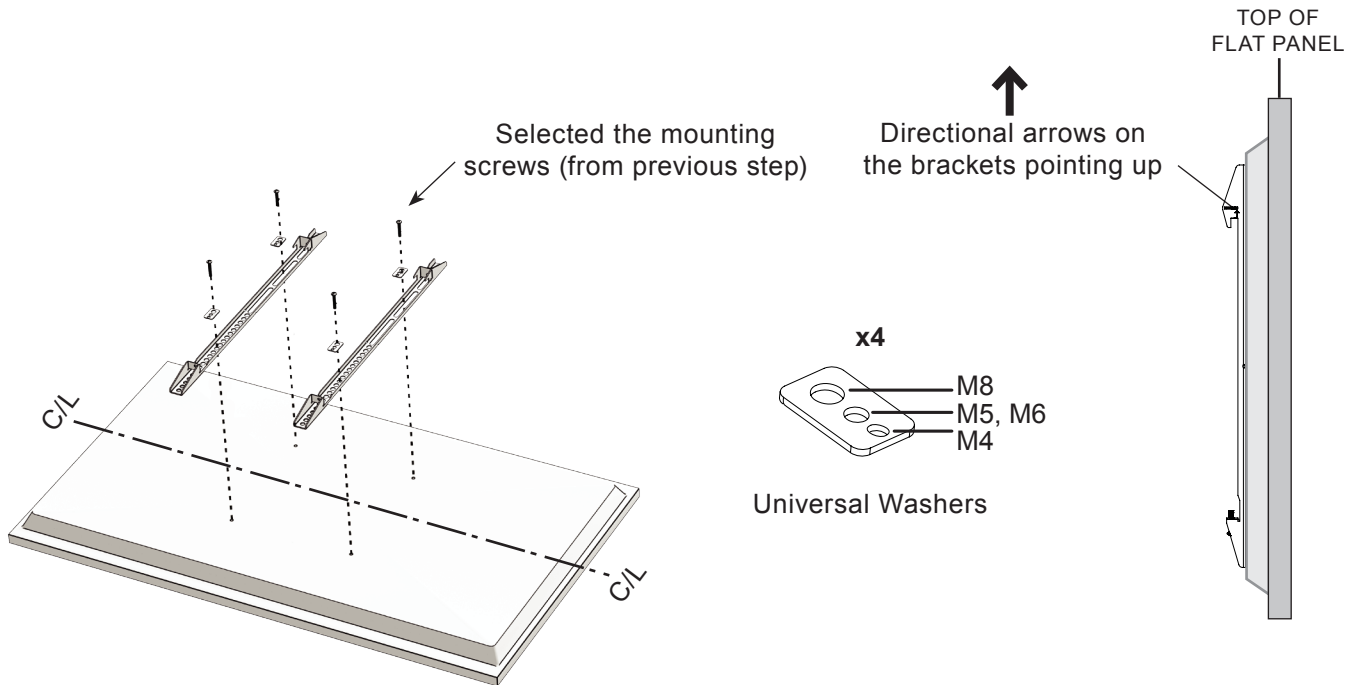


AM100

Installation Guide

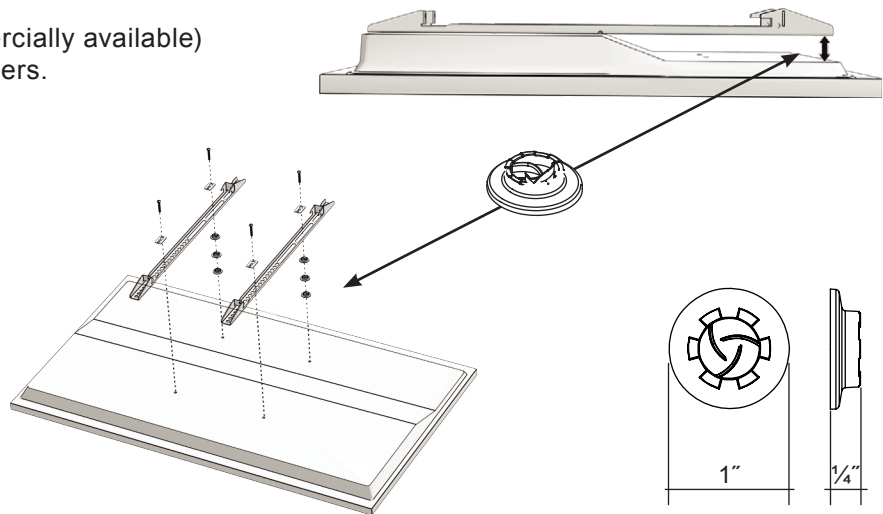
8

INSTALL THE MOUNTING BRACKETS

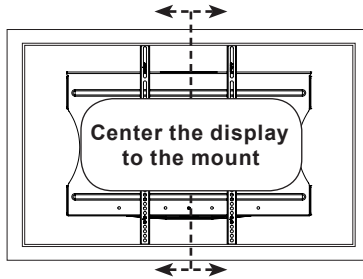
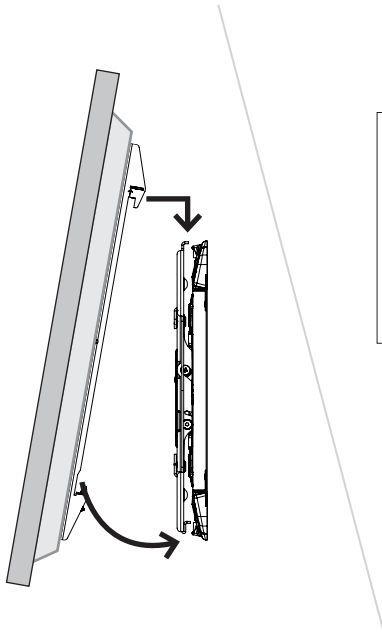


USE ADDITIONAL UNIVERSAL SPACERS TO FILL UNEVEN GAPS

Longer screws length (commercially available) might be needed if using spacers.

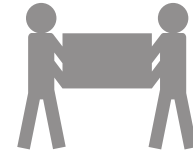


9

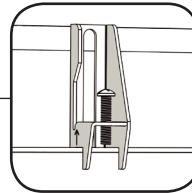
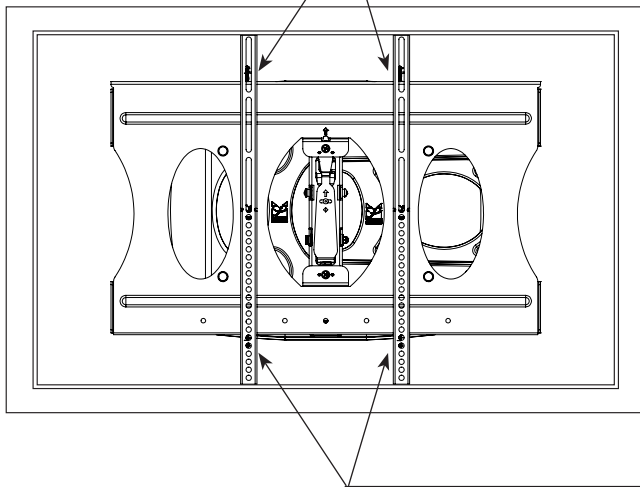


Center the display
to the mount

**HOOK THE DISPLAY BRACKETS
TO THE MOUNT**

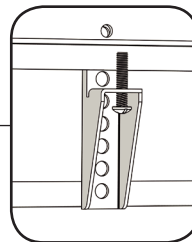


10



Post leveling control
adjustment screws.

**POST-LEVELING
(RETRACTED POSITION)**



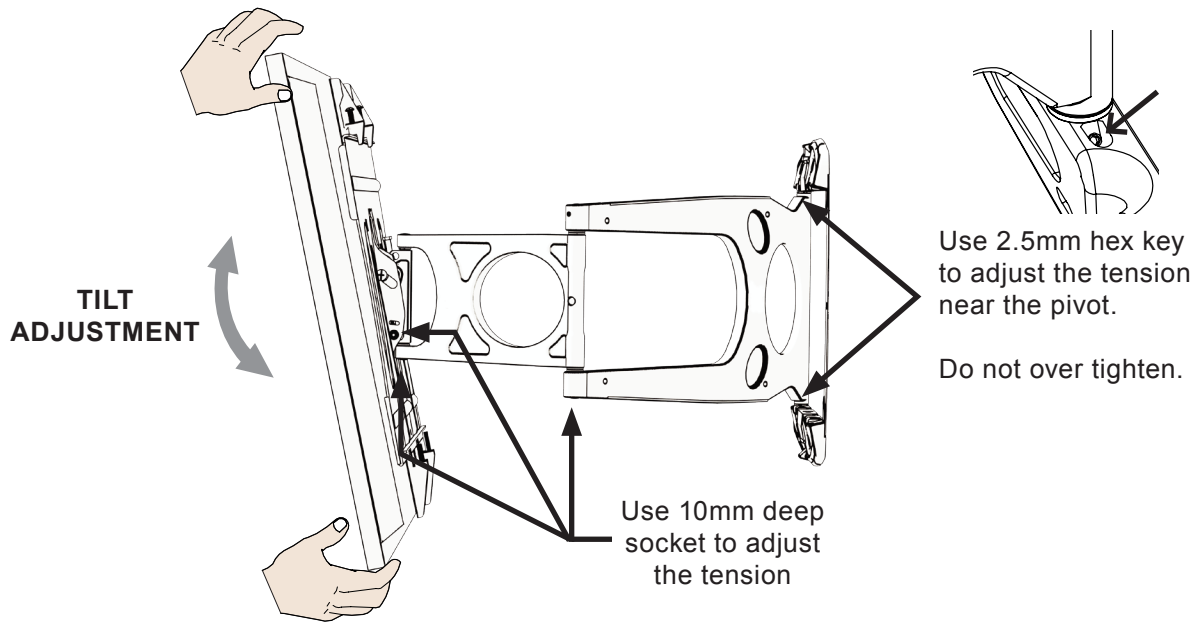
Tighten these screws to
lock the brackets in place.



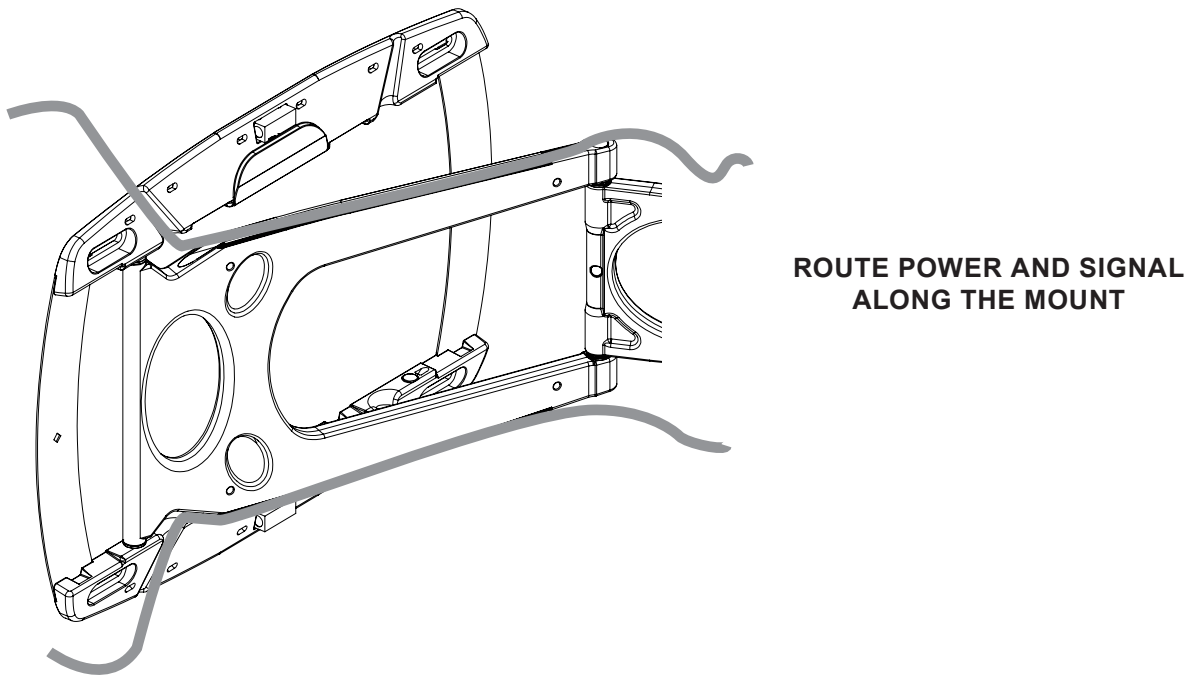
AM100

Installation Guide

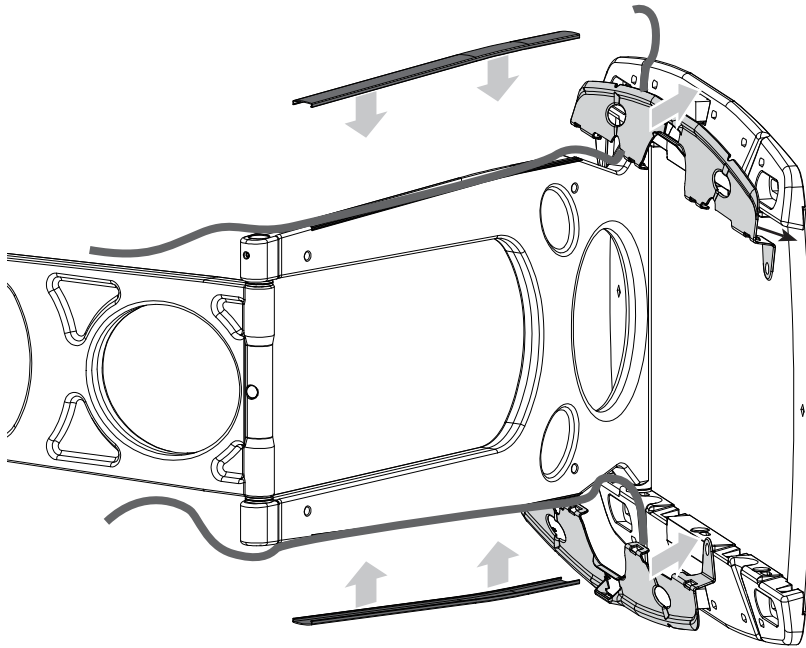
11



12



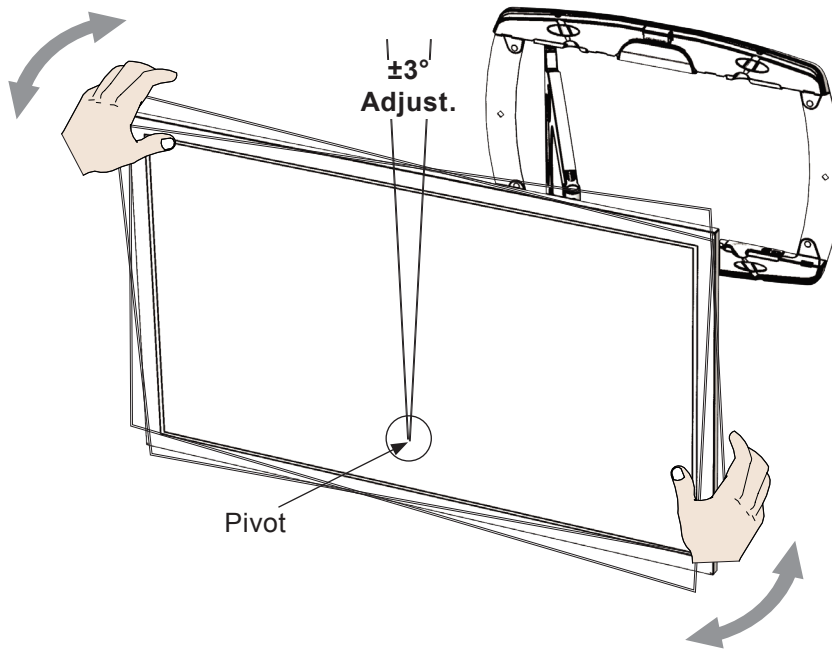
13



**INSTALL THE CABLE COVERS
AND MOUNTING COVERS**

14

SECONDARY POST LEVELING ADJUSTMENT



**RETRACTED OR
EXTENDED
POSITION**



PREMIER MOUNTS LIMITED LIFETIME WARRANTY

What and Who is Covered by this Limited Lifetime Warranty

Premier Mounts warrants all mounting products to be free from defects in material and workmanship for the lifetime of the original installation of the product.

What Premier Mounts Will Do

At the sole option of Premier Mounts, Premier Mounts will repair or replace any product or product part that is defective. If Premier Mounts chooses to replace a defective product or part, a replacement product or part will be shipped to you at no charge, but you must pay any related labor costs.

What is Not Covered: Limitations

Premier Mounts disclaims any liability for damage to mounts, adapters, displays, projectors, other property, or personal injury resulting, in whole or in part, from improper installation, modification, use or misuse of its products.

NOTWITHSTANDING ANYTHING TO THE CONTRARY IN THIS WARRANTY, THIS WARRANTY IS LIMITED TO FIVE YEARS FROM THE DATE OF PURCHASE IN THE EVENT THAT THE WARRANTED PRODUCT IS COMMERCIALY RENTED OUT.

Electrical products and components, such as amplifiers, speakers, motors, switches remote controls and related electrical items, are backed by a 3-year warranty.

Premier Mounts disclaims all other warranties, express or implied, including warranties of merchantability and fitness for a particular purpose. Premier Mounts is not responsible for incidental or consequential damages, including but not limited to, inability to use its products or labor costs for removing and replacing defective products or parts. Some states do not allow the exclusion or limitation of incidental or consequential damages, so the above limitation or exclusion may not apply to you.

What Customers Must Do for Warranty Service

If you discover a problem that you think may be covered by the warranty, you must report it in writing to the address below within thirty (30) days. Proof of purchase (an original sales receipt) from the original consumer purchaser must accompany all warranty claims. Warranty claims must also include a description of the problem, the purchaser's name, address, and telephone number. General inquiries can be addressed to Premier Mounts Customer Service at 1-800-368-9700. Warranty claims will not be accepted over the phone or by fax.

PREMIER MOUNTS
ATTN: Warranty Claims
500 W Central Ave, Suite A
Brea, CA 92821

How State Law Applies

This warranty gives you specific legal rights, and you may also have other rights which vary from state to state.

Premier Mounts intends to make this manual accurate and complete. However, Premier Mounts makes no claim that the information contained herein covers all details, conditions or variations, nor does it provide for every possible contingency in connection with the installation or use of this product. The information contained in this document is subject to change without notice or obligation of any kind. Premier Mounts makes no representation of warranty, expressed or implied, regarding the information contained herein. Premier Mounts assumes no responsibility for accuracy, completeness or sufficiency of the information contained in this document.

©**PREMIER MOUNTS**
500 W Central Ave, Suite A
Brea, CA 92821

USA & CANADA
Phone: 800-368-9700
Fax: 800-832-4888
e. orders@premiermounts.com

