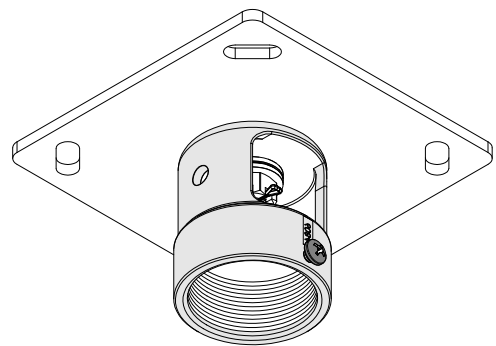
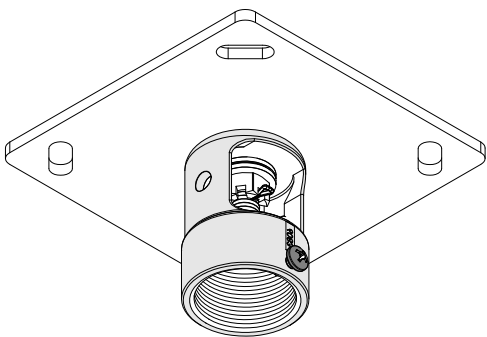
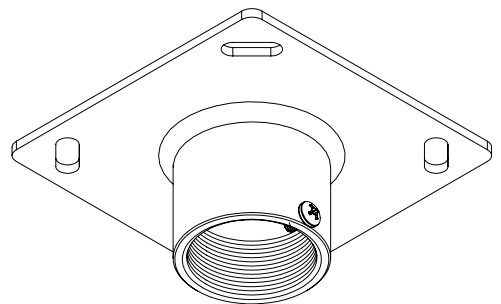
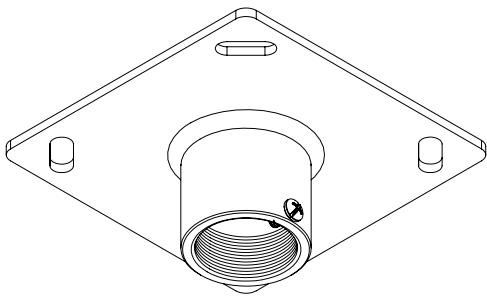


PP-5/5A/6/6A

Installation Guide

Ceiling Adapter
For wood or concrete





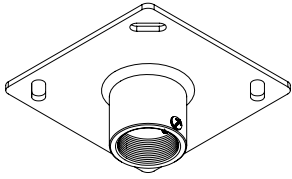
PP-5 / 5A / 6 / 6A

Installation Guide

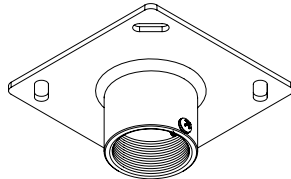
	PP-5/5A	PP-6/6A
CAPACITY	500lb per	750lb per
PIPE THREAD	1-1/2" NPT	2" NPT

Welded Coupler

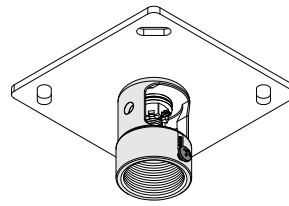
Cable Access Coupler



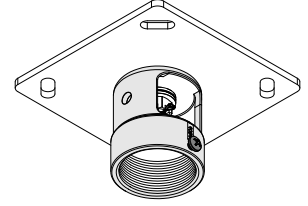
PP-5



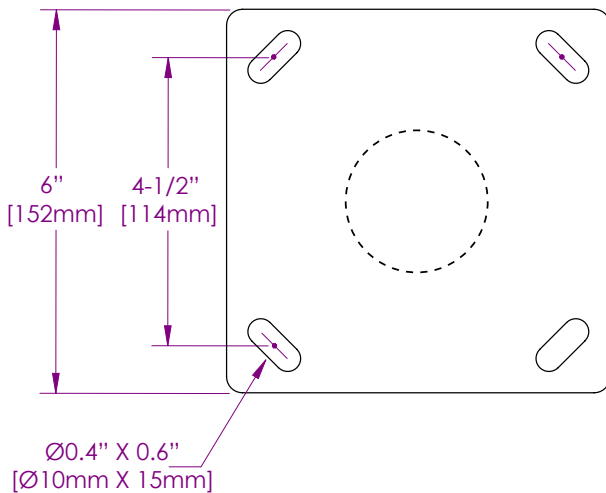
PP-6



PP-5A



PP-6A

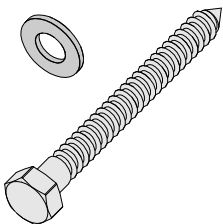


The ceiling should be capable of supporting a weight of at least five times the projector or monitor weight. If it cannot, the ceiling must be reinforced.

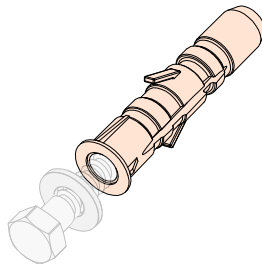
Use commercially available hardware with a min of 1/4" bolt. 5/16" or 3/8" recommended.

Recommended Hardware

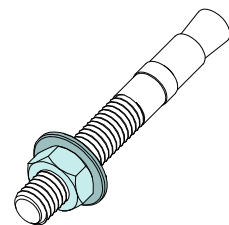
Hex Lag & Washer for wood



Finned Anchor



Stud Anchor for Concrete



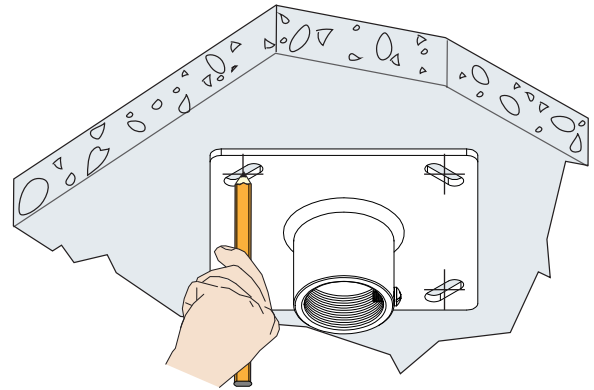
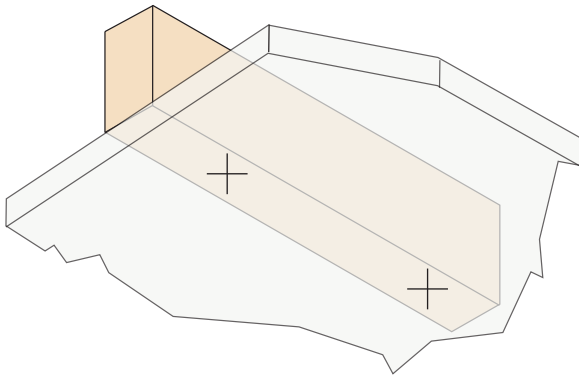


Mounting hardware is not included with this product. Commercially available hardware must be used for this installation. The hardware used will depend on your installation environment (i.e. wood stud, concrete surface, etc).

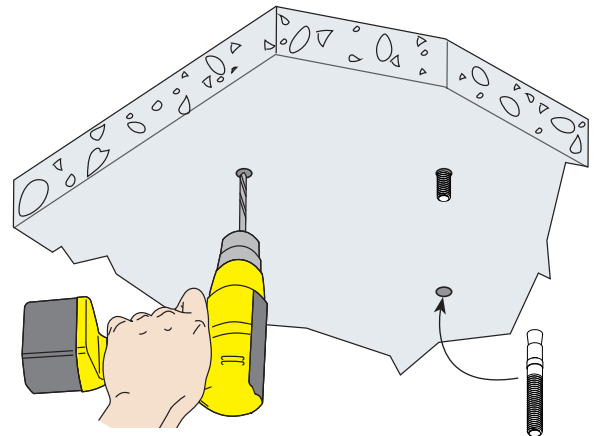
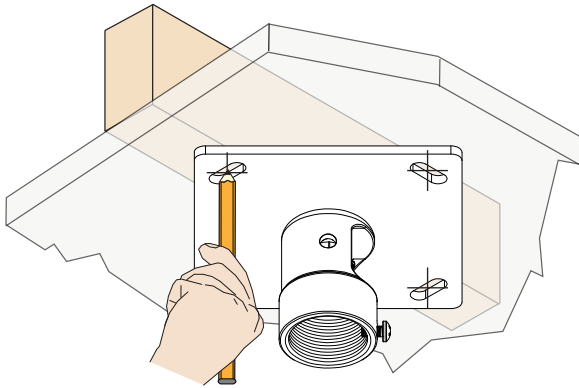
WOOD APPLICATION

CONCRETE APPLICATION

1



2



3

