



INSTALLATION INSTRUCTIONS

Product

7160-1617, 7160-1881

SECURE TABLET KIOSK

Revision

Rev B

Form

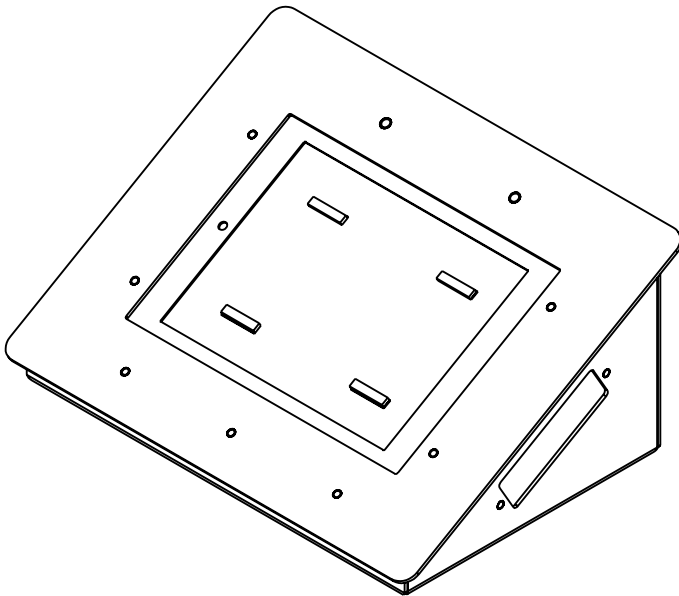
INST-1025

Printing Spec: PS-001

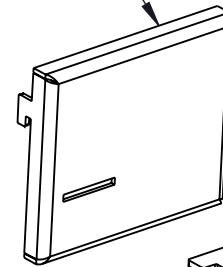
These instructions cover the installation and setup of the Gamber-Johnson secure tablet kiosk. The kiosk can be mounted both to a horizontal surface, like a table top, or a vertical one such as a wall. Hardware is included for surfaces that can be drilled and bolted through such as a table or countertop. For other surface mounts such as wall studs or concrete block, customer provided hardware will be required.

Contents:

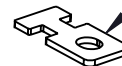
Kiosk - Fully Assembled



Lock Cover



Padlock Bar



Hardware Bag

- (4) 1/4-20 x 2 Hex Bolts
- (8) 1/4 Washer
- (4) 1/4-20 Nylok Nut
- (2) Keys

Product Mounting Disclaimer

Gamber-Johnson is not liable under any theory of contract or tort law for any loss, damage, personal injury, special, incidental or consequential damages for personal injury or other damage of any nature arising directly or indirectly as a result of the improper installation or use of its products in vehicle or any other application. In order to safely install and use Gamber-Johnson products full consideration of vehicle occupants, vehicle systems (i.e., the location of fuel lines, brake lines, electrical, drive train or other systems), air-bags and other safety equipment is required. Gamber-Johnson specifically disclaims any responsibility for the improper use or installation of its products not consistent with original vehicle manufactures specifications and recommendations, Gamber-Johnson product instruction sheets, or workmanship standards as endorsed through the Gamber-Johnson Certified Installer Program.

© Copyright 2023 Gamber-Johnson, LLC

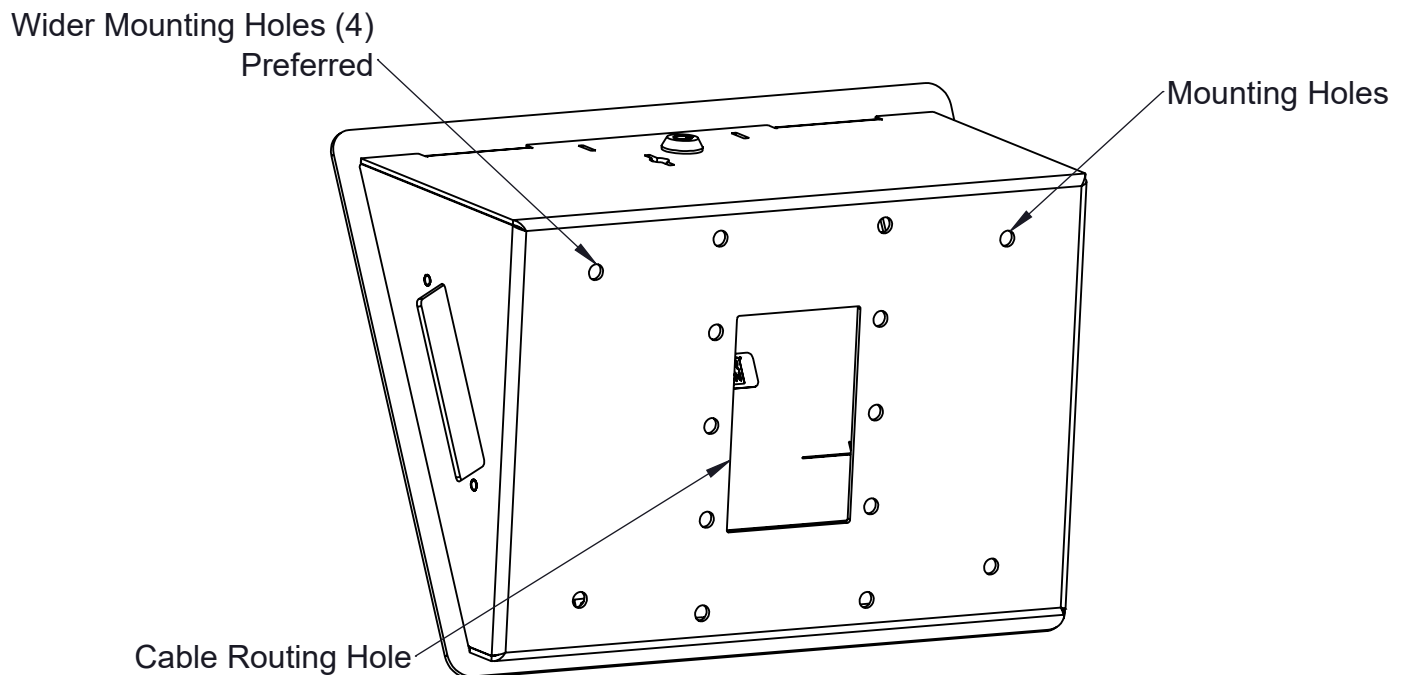
If you need assistance or have questions, call Gamber-Johnson at 1-800-456-6868

To Mount the Kiosk:

1. To mount the kiosk to a surface with the provided hardware, place the kiosk on the surface and use the mounting holes inside to mark for drilling. Also mark any holes or openings to be made for cable management. It is recommended to use as wide spread of mounting holes as possible given the application.
2. Drill the holes through the surface allowing clearance for the provided bolts. Using the provided (4) 1/4-20 x 2 hex bolts, washers and nylok nuts, bolt the kiosk to the surface. Place a washer on the inside of the kiosk and below the mounting surface when assembling.

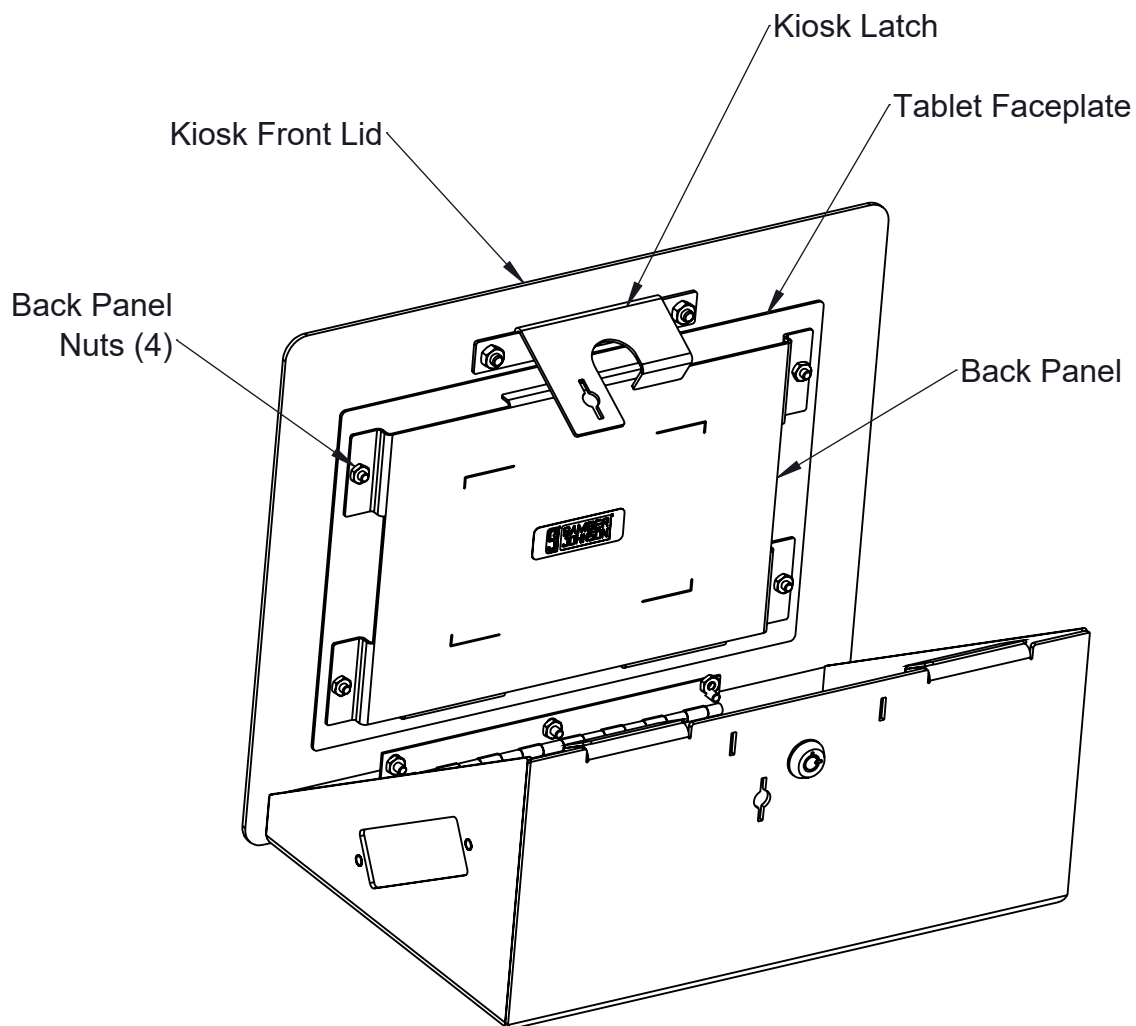
NOTE: Install the hex bolts facing upward with the nylok nuts inside of the kiosk to help prevent them being removed without the kiosk being opened.

3. If the kiosk is to be mounted to a vertical surface; hardware is not provided as it will vary depending on the surface. Select hardware and a mounting surface appropriate for the weight of the kiosk and any added accessories. The kiosk without a tablet or accessories weighs approximately 16 lbs.



Installing the Tablet:

1. Open the kiosk to get access to the back panel that will hold the tablet. Remove the back panel by removing the four nuts that secure it to the kiosk.
2. Place the tablet on the back panel and reinstall the four nuts removed in the previous step to attach it to the kiosk's front lid. Before tightening completely move the tablet to align both the front camera and screen with the openings in the tablet faceplate. It may be useful to have the tablet powered on for this step.
3. Once in position finish tightening the four nuts holding the tablet back panel until snug preventing the tablet from shifting in the kiosk. Attach any cables or accessories and run them out of the kiosk to finish installing the tablet.



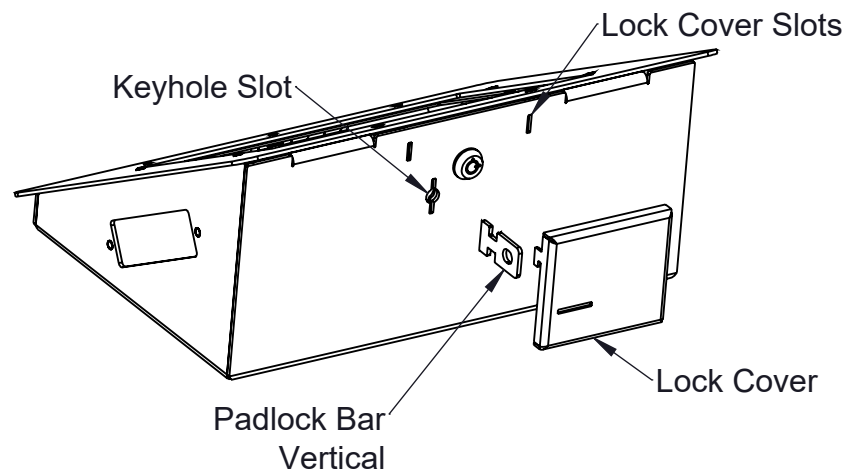
Locking the Kiosk:

The secure tablet kiosk features two levels of security when it comes to locking the enclosure: a turn key lock and an optional padlock bar.

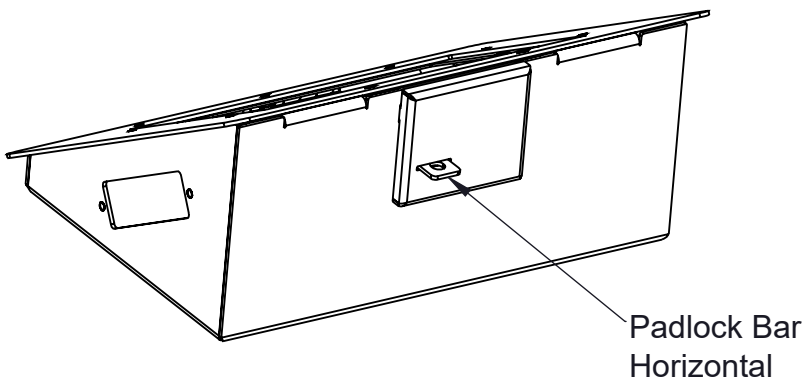
1. To close and lock the kiosk first have the keyed lock turned so the lock pawl is facing in the upward position. This will allow the lid to close without the latch hitting the pawl.
2. Close the lid and turn the key to the right to rotate the lock pawl and keep the lid closed. Once the key is removed from the lock in this position the enclosure is locked closed.

To add the additional padlock locking feature you will need to install the two other parts included with the kiosk but shipped uninstalled; the padlock bar and lock cover.

3. With the kiosk lid locked following the directions in Steps 1 and 2, proceed to place the padlock bar into the keyhole slot to the left of the lock. The kiosk lid may need to be lifted or pushed down slightly to have the two keyhole slots align. Once the padlock bar is placed through both the kiosk wall and kiosk latch, rotate it from vertical to horizontal.
4. With the padlock bar horizontal, place the lock cover over the lock and padlock bar by placing the two tabs into the slots on the back of the kiosk while the padlock bar passes through the slot in the lock cover. Once the tabs are placed into the slots in the kiosk the cover can slide down slightly to stay secured to the kiosk.
5. At this point the padlock bar is fixed in a horizontal position preventing it from being removed and allowing the lid to be opened. A padlock with a shank size of less than 3/8" can be locked onto the padlock bar to secure the lid closed and cover the lock. A padlock is not provided.



Step 3 - Installing Padlock Bar



Step 4 - Installing Lock Cover