

Low-Profile Dual-Pole Floor Stand w/ PSD-HDCA Adapter

Model: **TS-BASE**

Weight Capacity: 200 lb / 90.9 kg.

Features

- 1** Low-profile base (0.53 in.) can easily slide under a carpet for a seamless look
 - 2** Base plate can be bolted to the floor
 - 3** Can be used with dual 60, 72 and 84 in. poles
- Includes PSD-HDCA Heavy-Duty Clamp Adapter and Flat-Panel Mount
 - PSD-HDCA attaches to Premier Mounts cart & stand configurations in less than a minute, and allows displays to be mounted to adapter before or after the PSD-HDCA is attached to the stand

The TS-BASE Low-Profile Dual-Pole Floor Stand serves as the base for a variety of floor stand configurations. It can be used with various dual-pole sets, including 60", 72", and 84" pole lengths. TS-BASE configurations allow flat-panel displays to be mounted anywhere along the poles using the included PSD-HDCA Adapter, which attaches to the stand in less than a minute with no special tools required.



The PSD-HDCA Adapter attaches to stand configurations in under a minute



Can be used with a variety of Premier Mounts' Dual-Pole products, including 60", 72", and 84" sets



TS-BASE Dual-Pole floor stands are ideal for mounts such as the CTM-MS2

Low-Profile Dual-Pole Floor Stand with PSD-HDCA Adapter

TS-BASE

Specifications

Weight 109 lb. 49.5 kg	Color Black	Weight Capacity 200 lb. 90.9 kg
Width x Height x Depth 35.5 x 8.6 x 29.5 in. 902 x 218 x 749 mm	Warranty Lifetime	

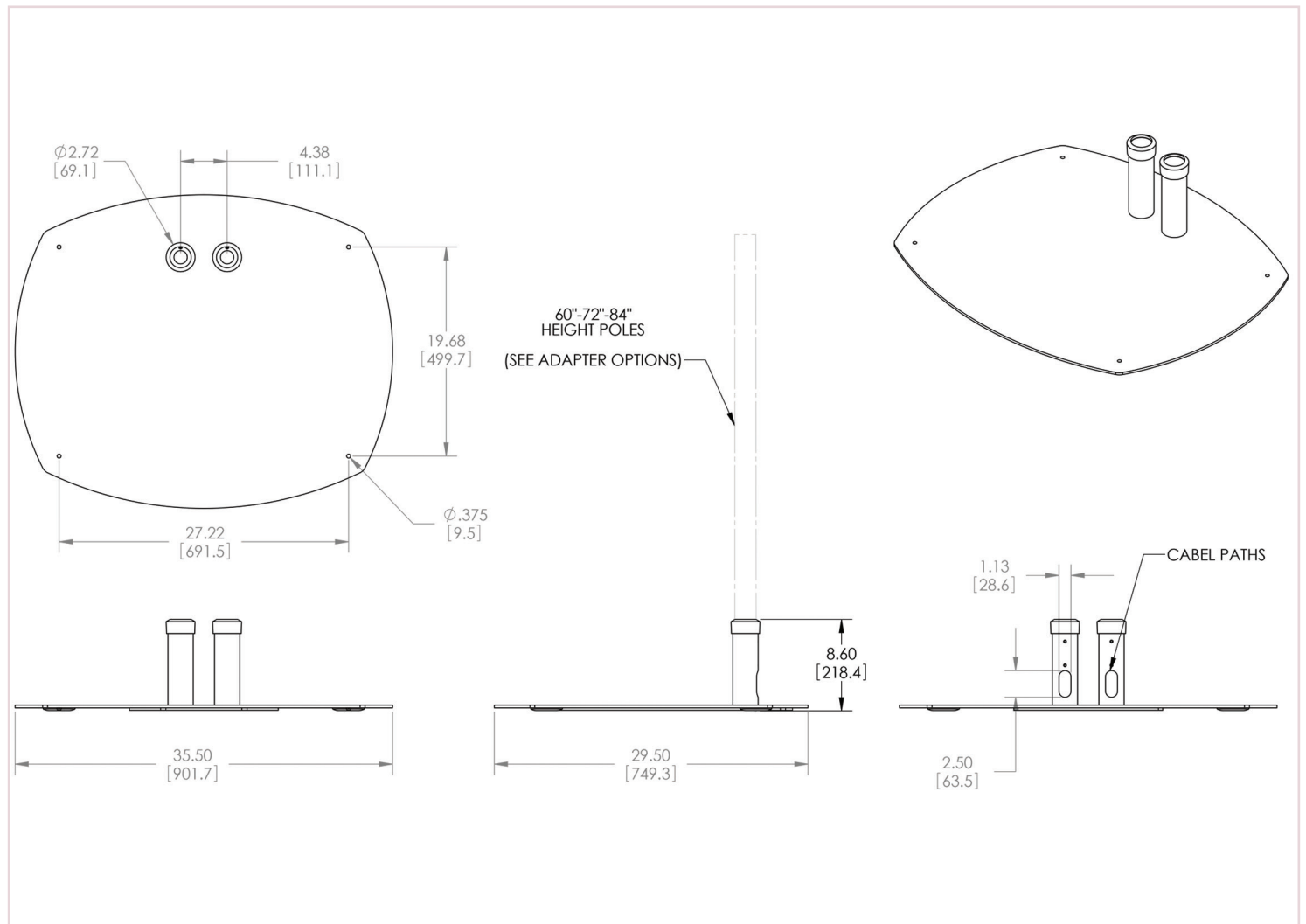
Packaging

Width x Height x Depth 38.125 x 9 x 33 in. 968 x 229 x 838 mm	Contents PSD-HDCA (x1), Base (x1), Universal Hardware Pack (x1)
---	---

Accessories

 <p>Set of 72 in. Chrome Replacement Poles T72</p>	 <p>Set of 72 in. Chrome Replacement Poles T84</p>	 <p>Set of 72 in. Black Replacement Poles T60B</p>
--	--	--

Architectural Drawing



Specifications subject to change without notice