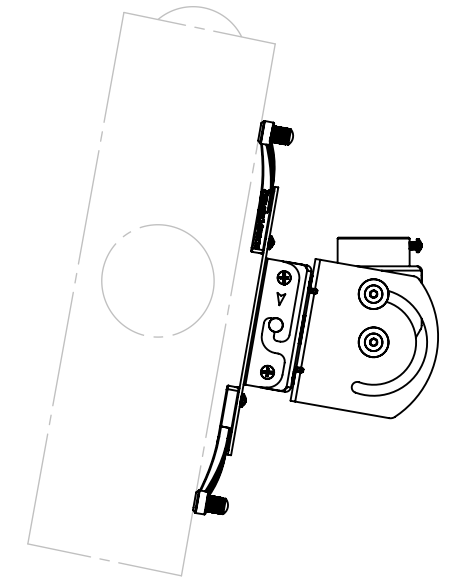
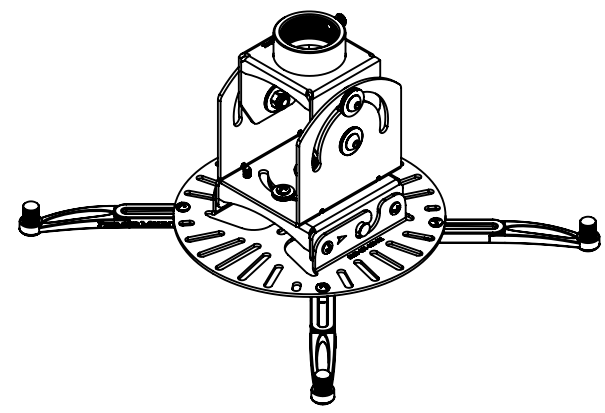
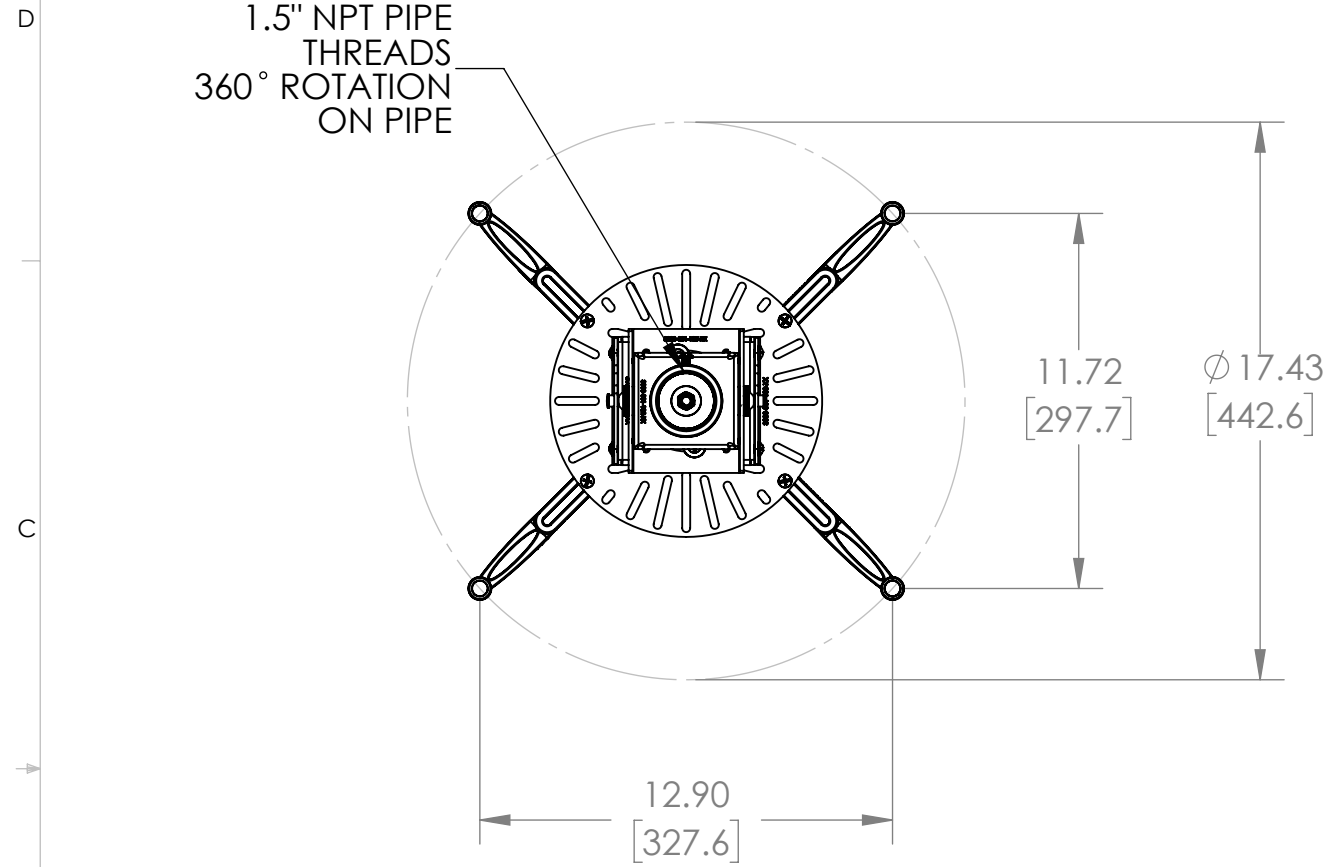
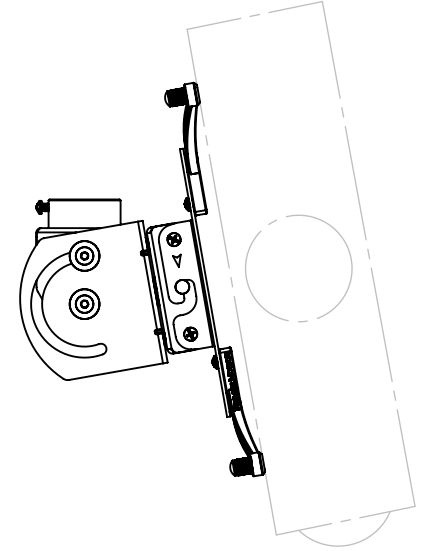


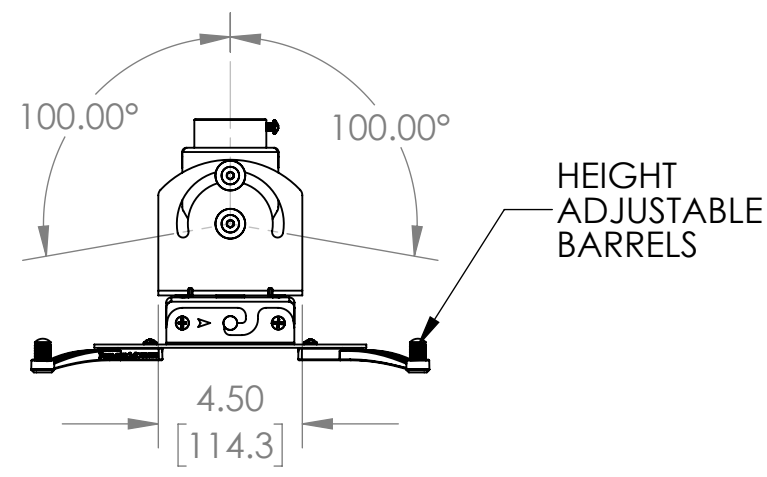
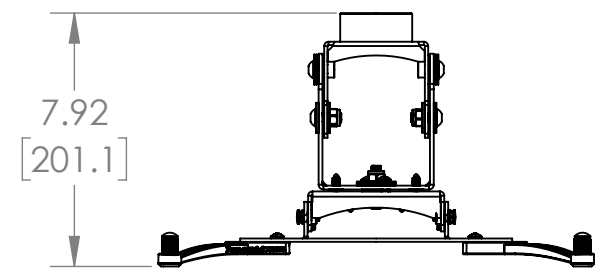
THE INFORMATION CONTAINED IN THIS DRAWING IS THE SOLE PROPERTY OF PREMIER MOUNTS DIVISION OF <PMPI> ANY REPRODUCTION IN PART OR WHOLE WITHOUT THE WRITTEN PERMISSION OF PREMIER MOUNTS DIVISION OF <PMPI> IS PROHIBITED.



PROJECTION UPWARDS OR LEFT TO RIGHT



PROJECTION DOWNWARDS OR LEFT TO RIGHT



HEIGHT ADJUSTABLE BARRELS

WEIGHT CAPACITY 75 LBS
DIMENSION ARE IN INCH AND [MM]

PREMIER MOUNTS
 1321 South State College Blvd
 Fullerton Ca, 92831
 P. 800.368.9700 - F. 800.832.4888

ITEM DESCRIPTION:
 UNIVERSAL ROTATION PROJECTOR MOUNT

SIZE B	DWG. NO. PDS-URPM
SCALE: 1:6	SHEET 1 OF 1