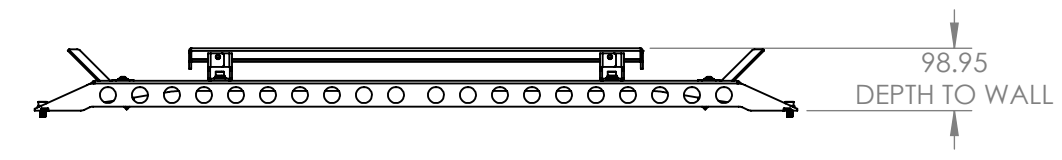
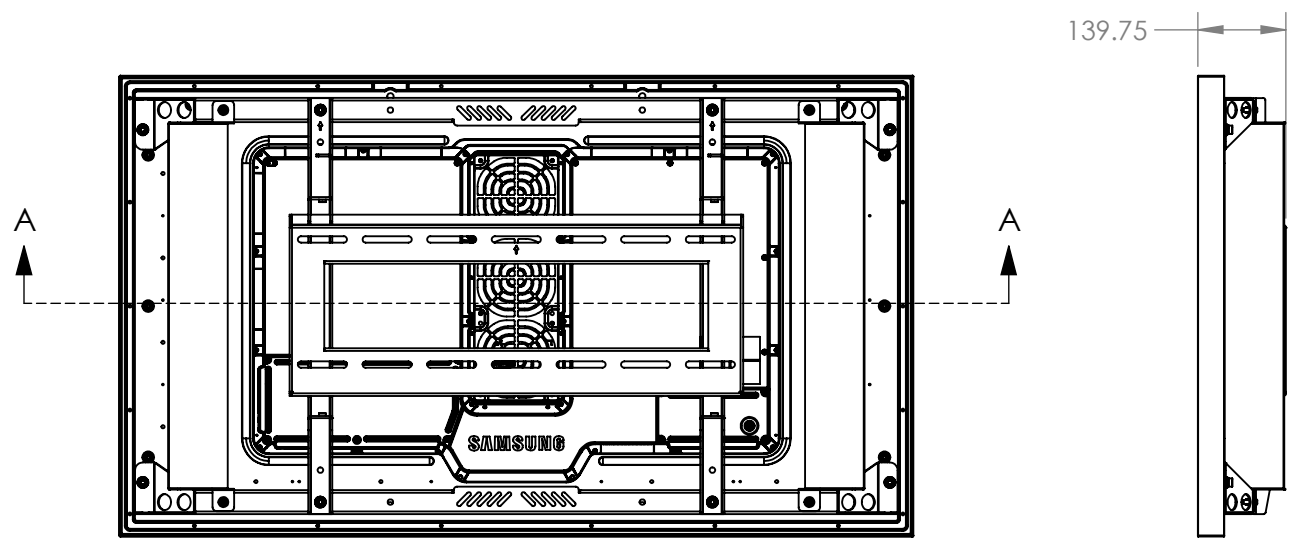


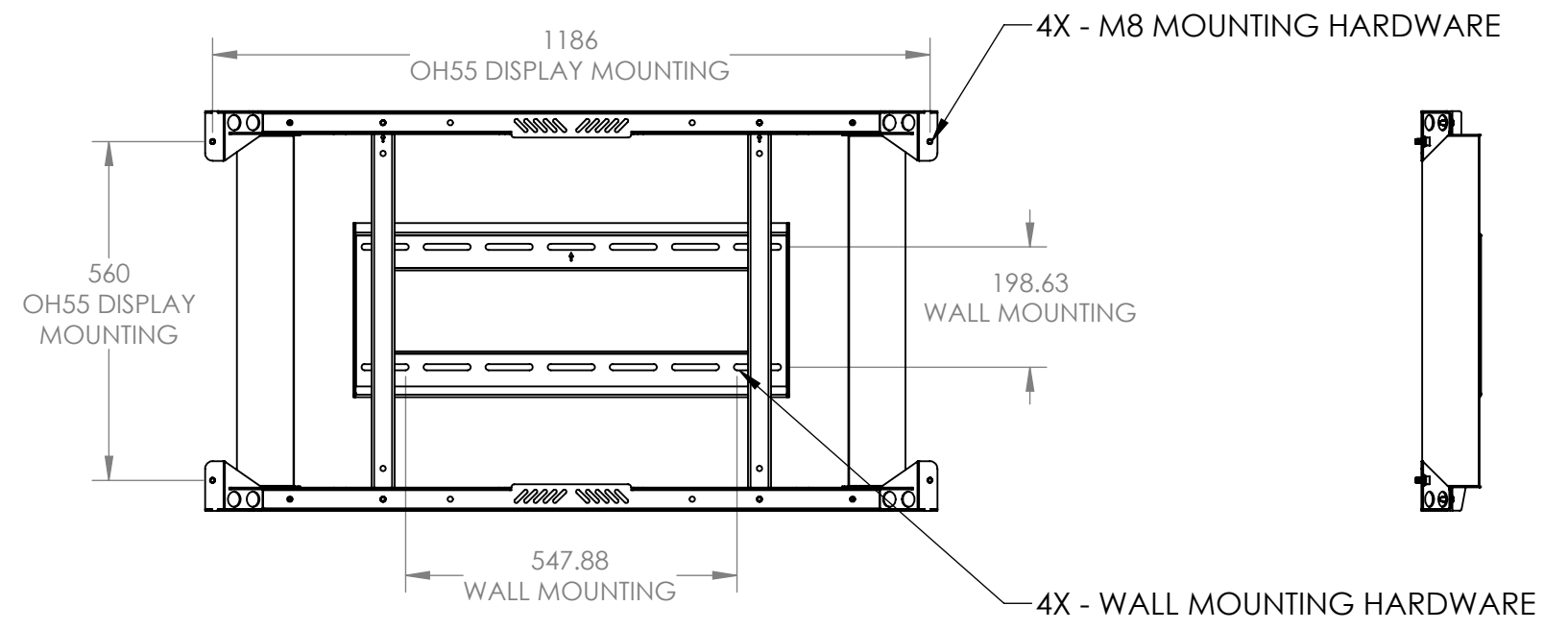
SECTION A-A



98.95
DEPTH TO WALL



139.75



1186
OH55 DISPLAY MOUNTING

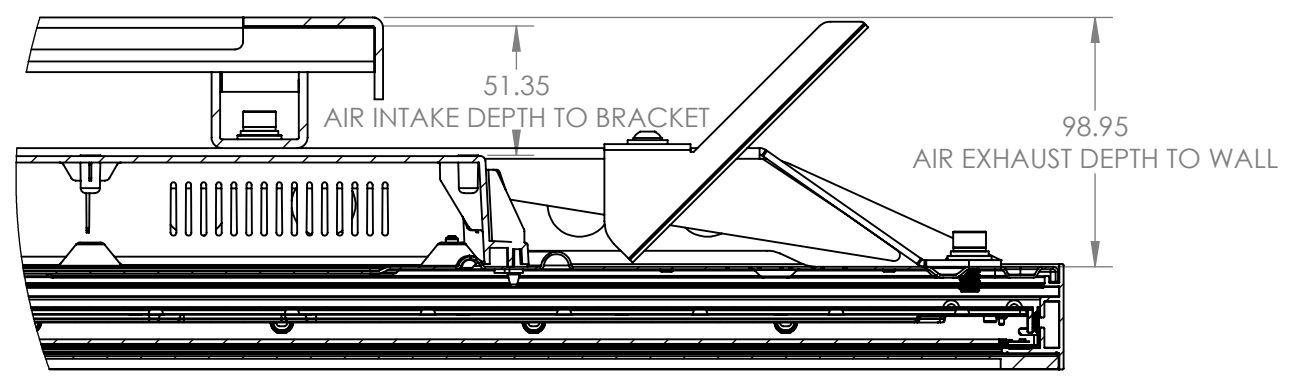
560
OH55 DISPLAY MOUNTING

198.63
WALL MOUNTING

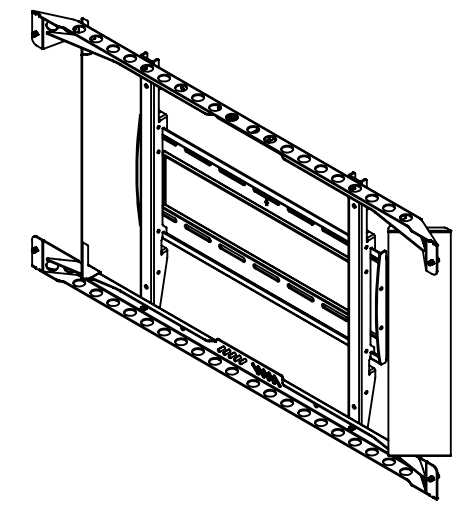
547.88
WALL MOUNTING

4X - M8 MOUNTING HARDWARE

4X - WALL MOUNTING HARDWARE

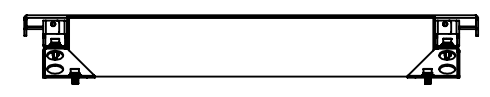
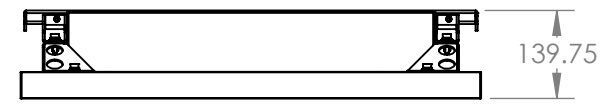


DETAIL B

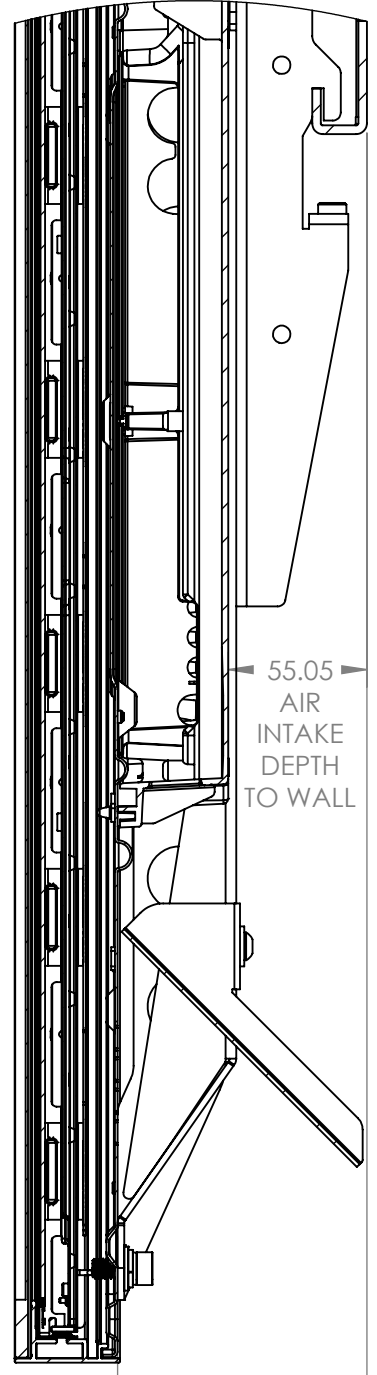


LANDSCAPE MODE

X1	2/22/2022	REVIEW	TP
REV.	DATE	DESCRIPTION	BY
REVISIONS			
UNLESS OTHERWISE SPECIFIED, DRAWING DEFINITIONS AND TOLERANCES SHALL BE FOUND UNDER SUPPLIER STANDARDS SS-001. THIS PART AND ALL COMPONENTS OF IT MUST BE RoHS AND REACH COMPLIANT. A CERTIFICATE OF COMPLIANCE MUST BE PROVIDED UPON REQUEST.			
ALL INFORMATION ON THIS DOCUMENT IS THE SOLE PROPERTY OF GAMBER-JOHNSON AND SHALL NOT BE COPIED, REPRODUCED, USED OR DISCLOSED IN WHOLE OR IN PART WITHOUT THE WRITTEN CONSENT OF GAMBER-JOHNSON		MATERIAL:	SHEET
		FINISH:	1 of 2
Scale 1:8	TOLERANCES .00 ±.060 .000 ±.020 .0000 ±.005 ANGLES ±1.0°	Drawn BY:	Date: 2/23/2022
SolidWorks CAD Files OH55 assembly		Project: PRJ13611	
SAMSUNG OH55, FLAT OUTDOOR MOUNT			
GAMBER-JOHNSON LLC 5001 JOERNS AVE., STEVENS POINT, WI 54481		SIZE: B	DRAWING NUMBER 7170-0977-00
		REV: X1	



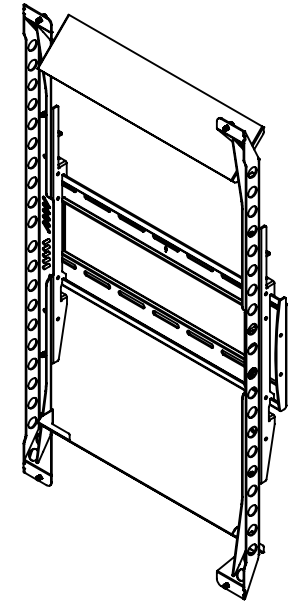
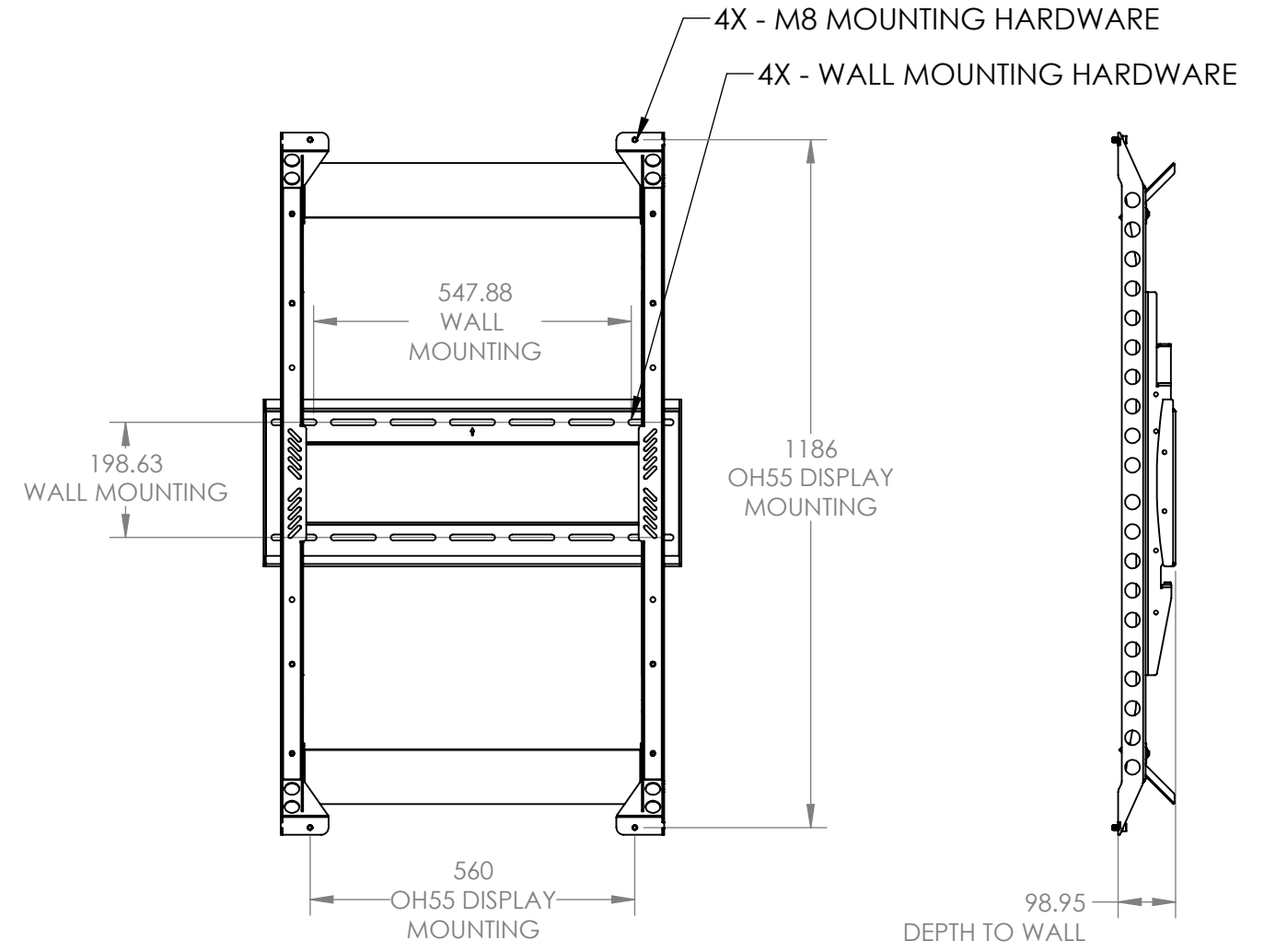
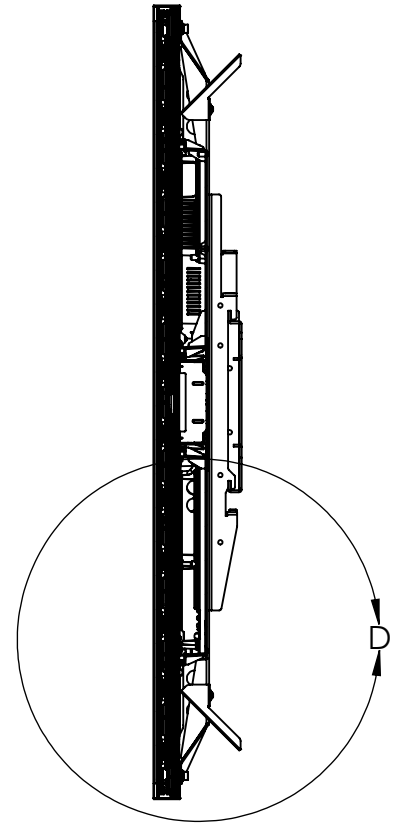
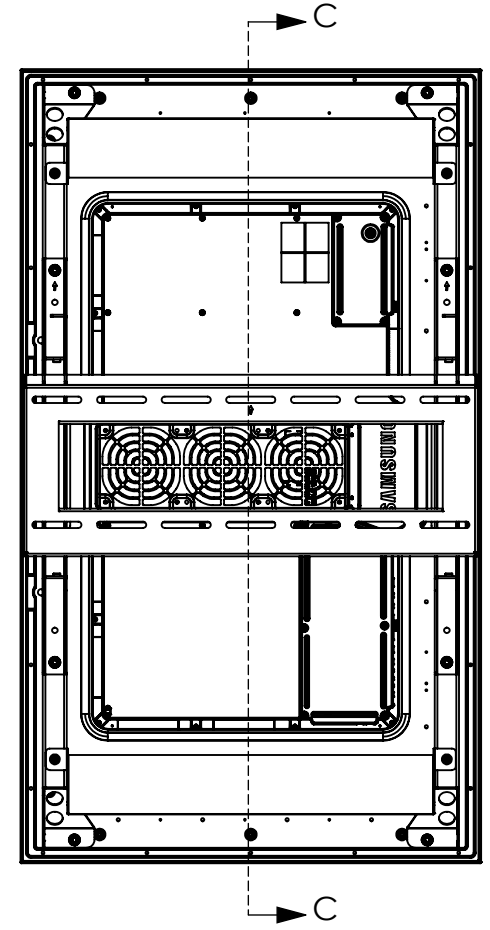
DETAIL D



55.05
AIR
INTAKE
DEPTH
TO WALL

98.950
AIR
EXHAUST
DEPTH
TO WALL

SECTION C-C



PORTRAIT MODE

UNLESS OTHERWISE SPECIFIED, DRAWING DEFINITIONS AND TOLERANCES SHALL BE FOUND UNDER SUPPLIER STANDARDS SS-001. THIS PART AND ALL COMPONENTS OF IT MUST BE RoHS AND REACH COMPLIANT. A CERTIFICATE OF COMPLIANCE MUST BE PROVIDED UPON REQUEST.

ALL INFORMATION ON THIS DOCUMENT IS THE SOLE PROPERTY OF GAMBER-JOHNSON AND SHALL NOT BE COPIED, REPRODUCED, USED OR DISCLOSED IN WHOLE OR IN PART WITHOUT THE WRITTEN CONSENT OF GAMBER-JOHNSON	MATERIAL:		SHEET 2 of 2
	FINISH:		
	Scale 1:8	TOLERANCES .00 ±.060 .000 ±.020 .0000 ±.005 ANGLES ±1.0°	Drawn BY: Project: PRJ13611
SolidWorks CAD Files OH55 assembly		SAMSUNG OH55, FLAT OUTDOOR MOUNT	

GAMBER-JOHNSON LLC 5001 JOERNS AVE., STEVENS POINT, WI 54481	SIZE: B	DRAWING NUMBER 7170-0977-00	REV: X1
---	-------------------	--------------------------------	------------