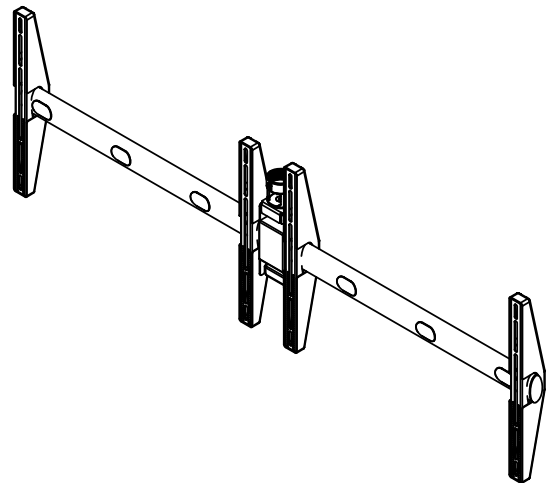
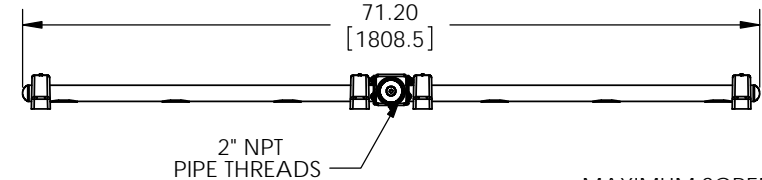


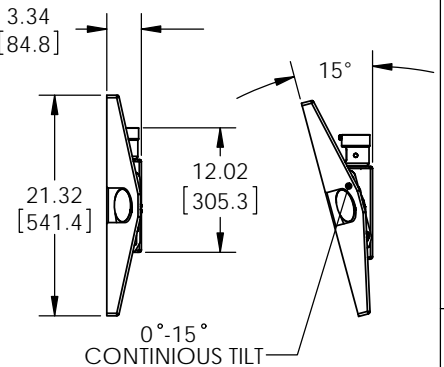
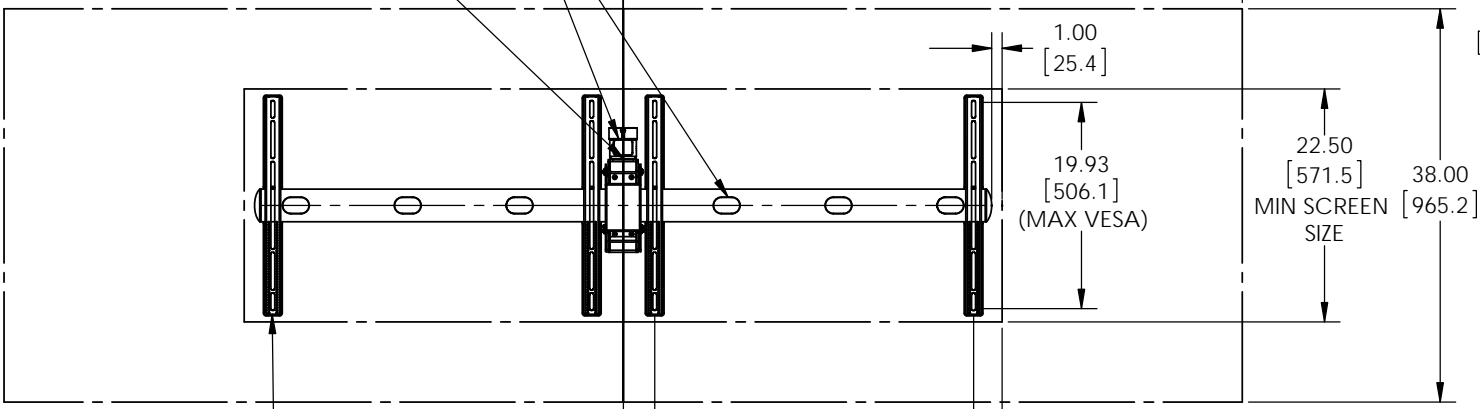
THE INFORMATION CONTAINED IN THIS DRAWING IS THE SOLE PROPERTY OF PREMIER MOUNTS DIVISION OF <PMPI>. ANY REPRODUCTION IN PART OR WHOLE WITHOUT THE WRITTEN PERMISSION OF PREMIER MOUNTS DIVISION OF <PMPI> IS PROHIBITED.



.05 [1.3]
GAP BETWEEN SCREENS
(CABLE PATHS)
360° (SWIVEL)

MAXIMUM SCREEN SIZE

59.77
[1518.3]
200x200
55.838
[1418.28]
300x300
51.9
[1318.26]
400x400
44.00
[1117.6]
600x400



LATERAL ADJUSTMENT VIA MOUNTING BRACKET
30.80 [782.3] (MAX VESA)
36.58 [929] MIN SCREEN SIZE

WEIGHT CAPACITY: 175 LBS PER SCREEN
DIMENSIONS ARE IN INCH AND [MM]

MOUNTS.COM

PREMIER MOUNTS
THE ORIGINAL MOUNT COMPANY
1321 South State College Blvd
Fullerton Ca, 92831
P. 800.368.9700 - F. 800.832.4888

ITEM DESCRIPTION:
DUAL FLAT PANEL CEILING MOUNT

SIZE B DWG. NO. ECM-D70T

SCALE: 1:12 SHEET 1 OF 1