



Very Well Connected™

INSTALLATION INSTRUCTIONS

Product Interface Plate, Data911 7160-0302	Revision Rev. C	Form INST-506
---	---------------------------	-------------------------

The interface plate is designed to adapt the Data911 10.4", 12" and 15" screens to the Universal Interface Plate (7160-0275) using the Gamber Johnson 4.09" x 2.0" hole pattern. Refer to the installation instructions for the Universal Interface Plate and the Universal Display Mount (7160-0272, 7160-0273) for additional installation instructions.

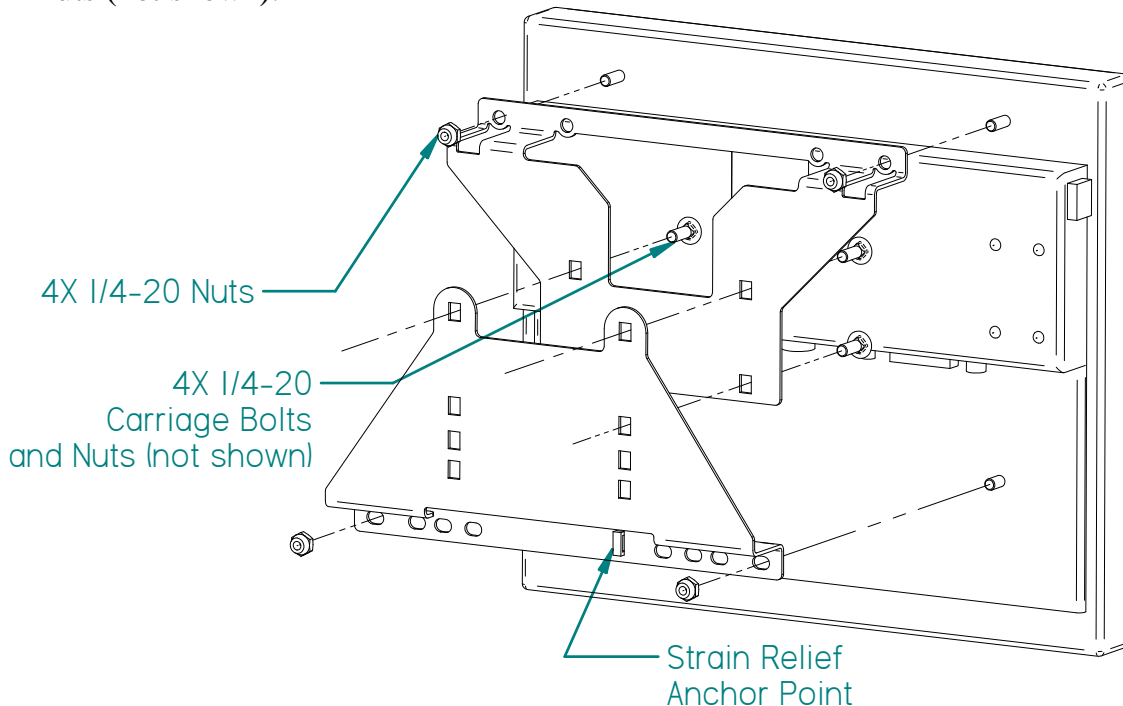
Attaching the Data911 15" Display"

Overlap the plates as shown below. The upper plate has a cutout for the fan. The upper plate should be covered by the lower plate. Install the four carriage bolts into the square holes in both the plates, as shown. (Nuts can be temporarily installed to hold the carriage bolts in place.)

Install the screen using the provided 1/4-20 nuts.

Install the cables. Strain relief the cables using the provided anchor point and the provided cable ties.

Install the assembly to the Universal Interface Plate (7160-0275) using the provided 1/4-20 nuts (not shown).



Product Mounting Disclaimer

Gamber-Johnson is not liable under any theory of contract or tort law for any loss, damage, personal injury, special, incidental or consequential damages for personal injury or other damage of any nature arising directly or indirectly as a result of the improper installation or use of its products in vehicle or any other application. In order to safely install and use Gamber-Johnson products full consideration of vehicle occupants, vehicle systems (i.e., the location of fuel lines, brakes lines, electrical, drive train or other systems), air-bags and other safety equipment is required. Gamber-Johnson specifically disclaims any responsibility for the improper use or installation of its products not consistent with the original vehicle manufactures specifications and recommendations, Gamber-Johnson product instruction sheets, or workmanship standards as endorsed through the Gamber-Johnson Certified Installer Program.

© copyright 2011 Gamber-Johnson, LLC

If you need assistance or have questions, call Gamber-Johnson at 1-800-456-6868

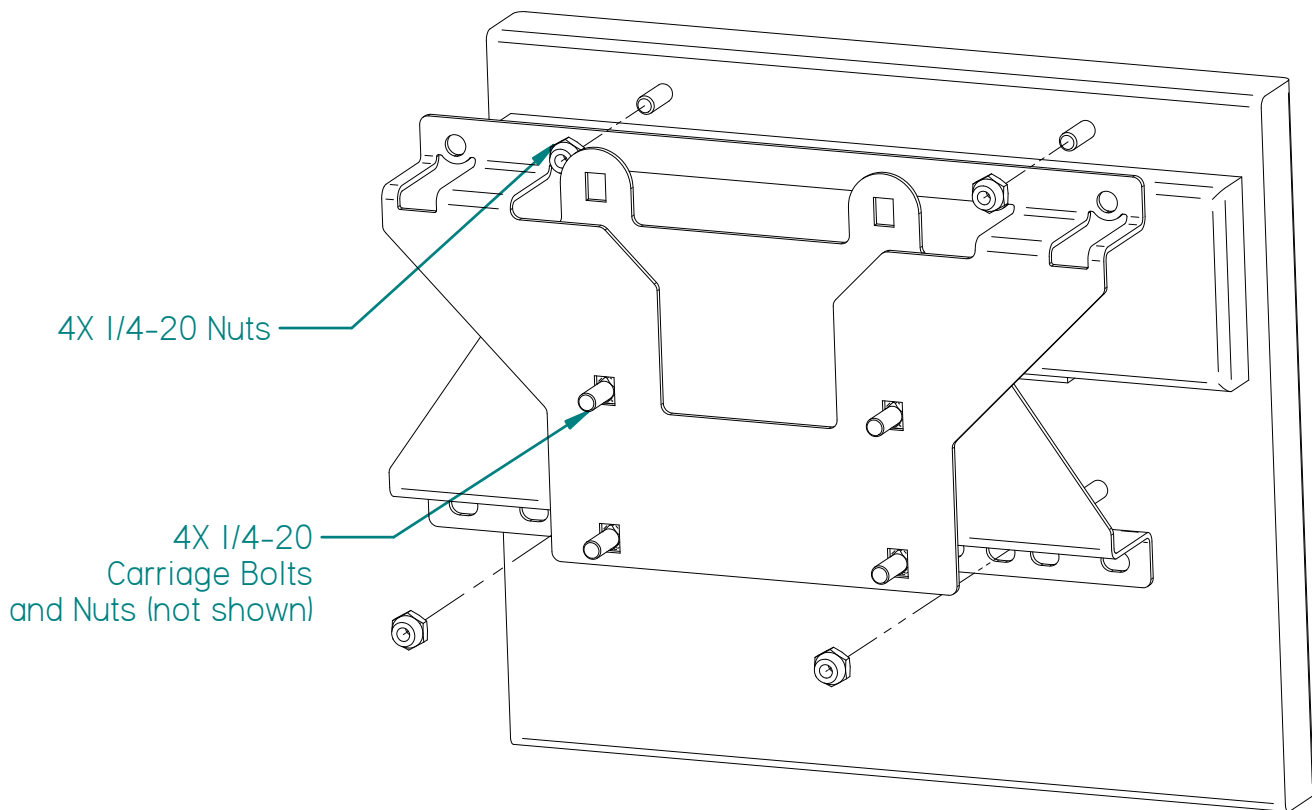
Attaching the Data911 10.4" & 12" Displays

Overlap the plates as shown below. The lower plate should be under the upper plate. Install the four carriage bolts into the square holes in plates, as shown. Note that the lower bolts do not go through both plates. (Nuts can be temporarily installed to hold the carriage bolts in place.)

Install the screen using the provided 1/4-20 nuts.

Install the cables. The cables can be strain relieved using the provided cable ties and the provided anchor point (see sheet 1) or by using alternate points on the Universal Interface Plate (7160-0275)

Install the assembly to the Universal Interface Plate (7160-0275) using the provided 1/4-20 nuts (not shown).



12" DISPLAY SHOWN, 10.4" DISPLAY IS SIMILAR