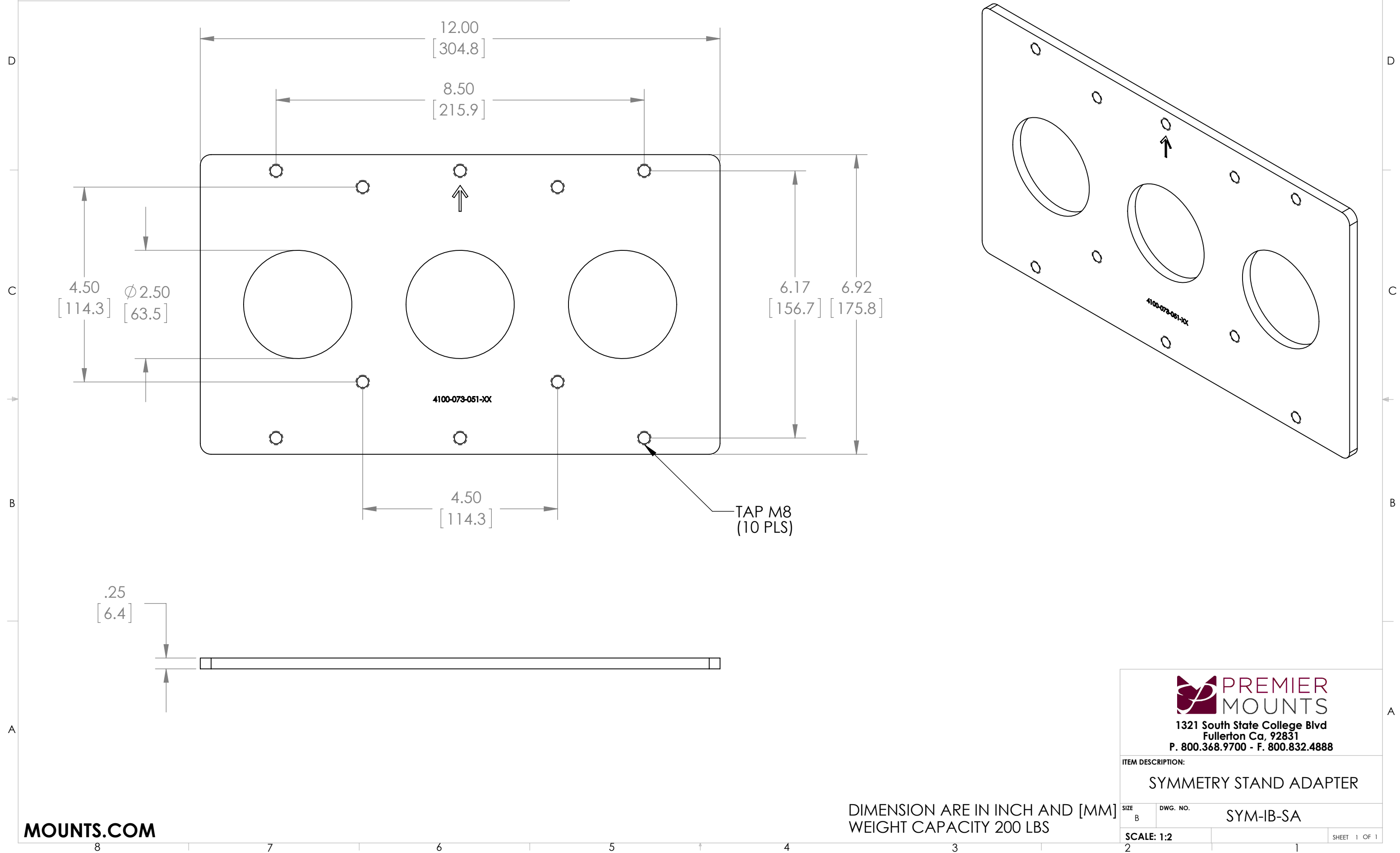


8 7 6 5 4 3 2 1

THE INFORMATION CONTAINED IN THIS DRAWING IS THE SOLE PROPERTY OF  
 PREMIER MOUNTS DIVISION OF <PMPI> ANY REPRODUCTION IN PART OR WHOLE WITHOUT  
 THE WRITTEN PERMISSION OF PREMIER MOUNTS DIVISION OF <PMPI> IS PROHIBITED.



**PREMIER MOUNTS**  
 1321 South State College Blvd  
 Fullerton Ca, 92831  
 P. 800.368.9700 - F. 800.832.4888

ITEM DESCRIPTION:  
 SYMMETRY STAND ADAPTER

SIZE B	DWG. NO. SYM-IB-SA
SCALE: 1:2	SHEET 1 OF 1