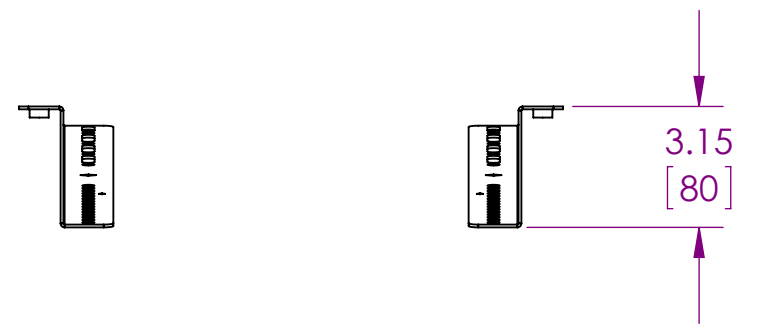
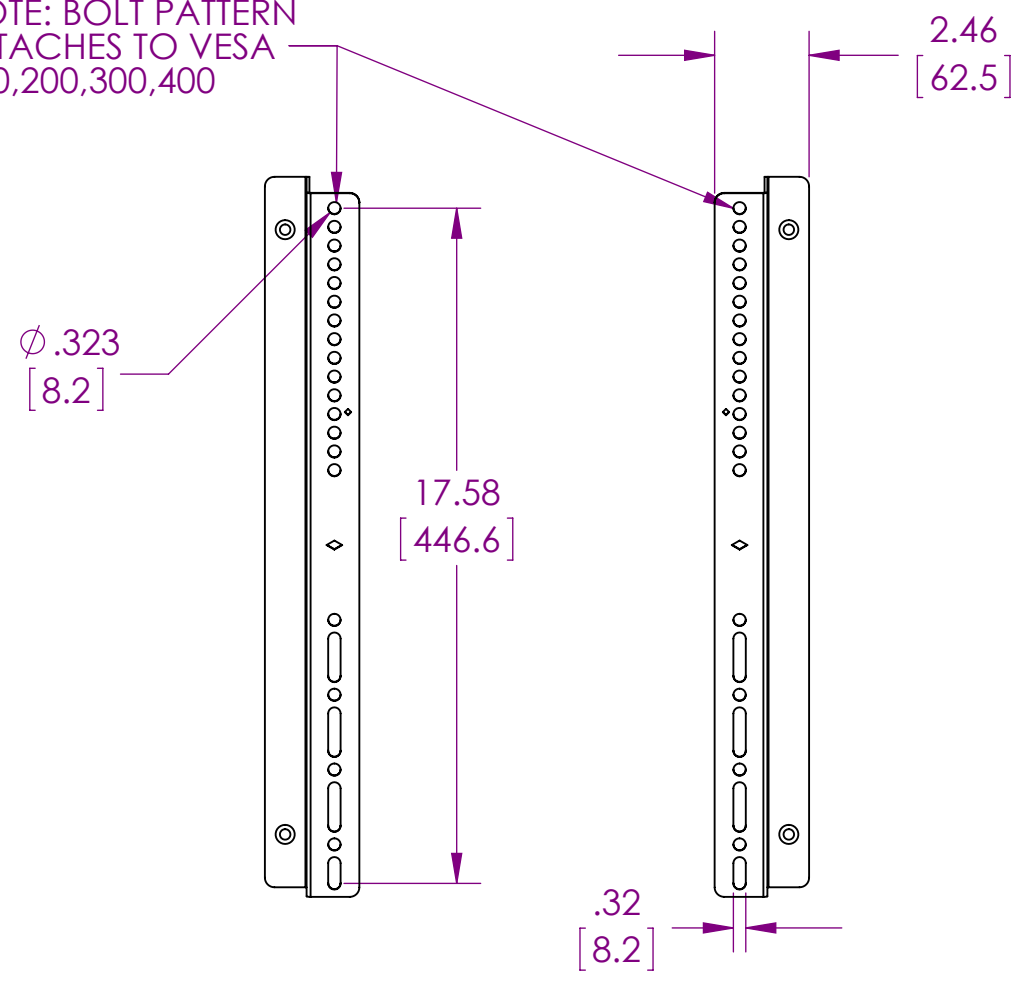


THE INFORMATION CONTAINED IN THIS DRAWING IS THE SOLE PROPERTY OF PREMIER MOUNTS DIVISION OF <PMPI> ANY REPRODUCTION IN PART OR WHOLE WITHOUT THE WRITTEN PERMISSION OF PREMIER MOUNTS DIVISION OF <PMPI> IS PROHIBITED.

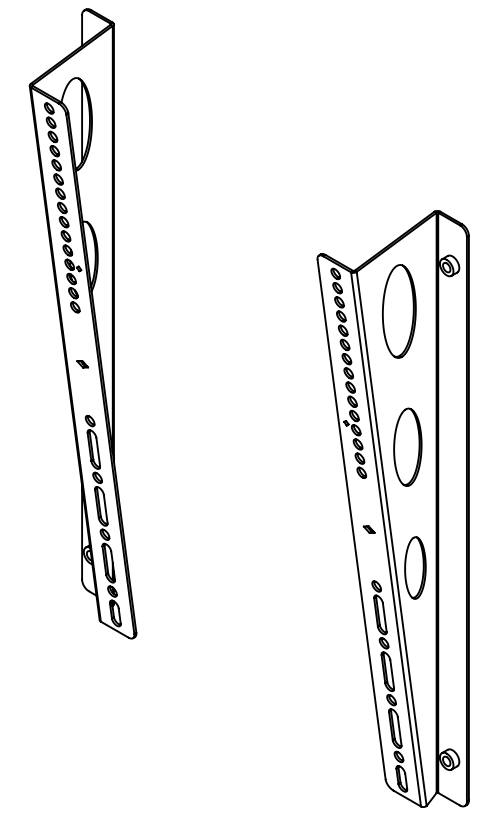
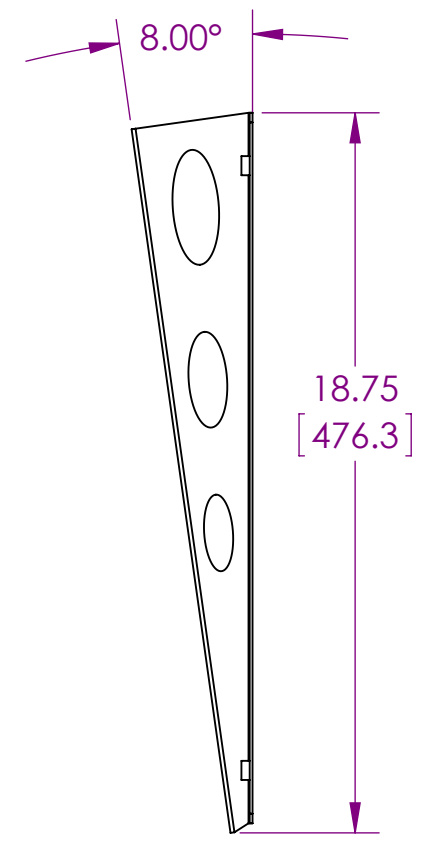
D
C
B
A



NOTE: BOLT PATTERN ATTACHES TO VESA 100,200,300,400



(LEFT AND RIGHT BRACKETS)



D
C
B
A

DIMENSION ARE IN INCH AND [MM]

NOTE: WEIGHT CAPACITY OF THE SYM-DB-TA WILL EQUATE TO THE OVERALL MAXIMUM WEIGHT CAPACITY OF THE SPECIFIC PREMIER MOUNTS FLAT PANEL MODEL IT IS PAIRED WITH AND WILL VARY FROM MODEL TO MODEL

PREMIER MOUNTS
 1321 South State College Blvd
 Fullerton Ca, 92831
 P. 800.368.9700 - F. 800.832.4888

ITEM DESCRIPTION:
SYMMETRY SERIES FIXED TILT ADAPTERS

SIZE B	DWG. NO. SYM-DB-TA
SCALE: 1:5	SHEET 1 OF 1

8 7 6 5 4 3 2 1

8 7 6 5 4 3 2 1