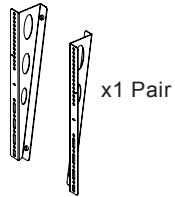
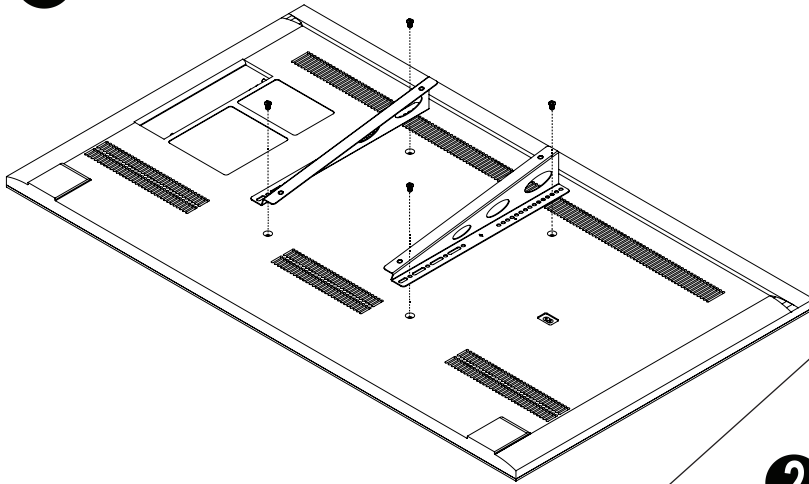


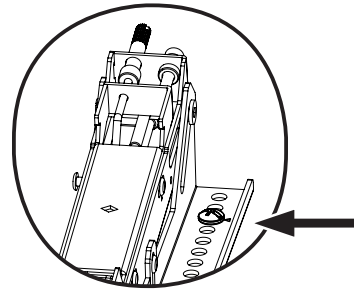
SYM-DB-TA Installation Guide



1



2



(4) M8 x 12mm
Screw

