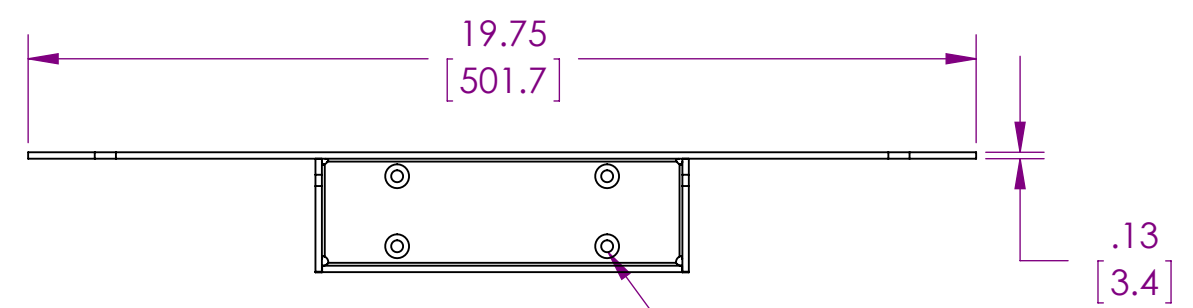
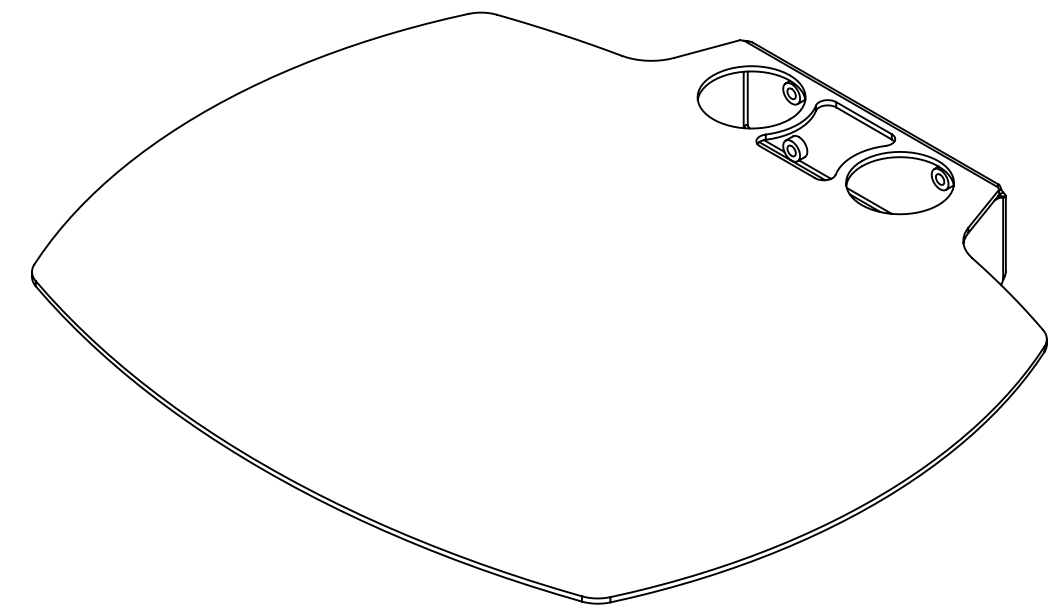
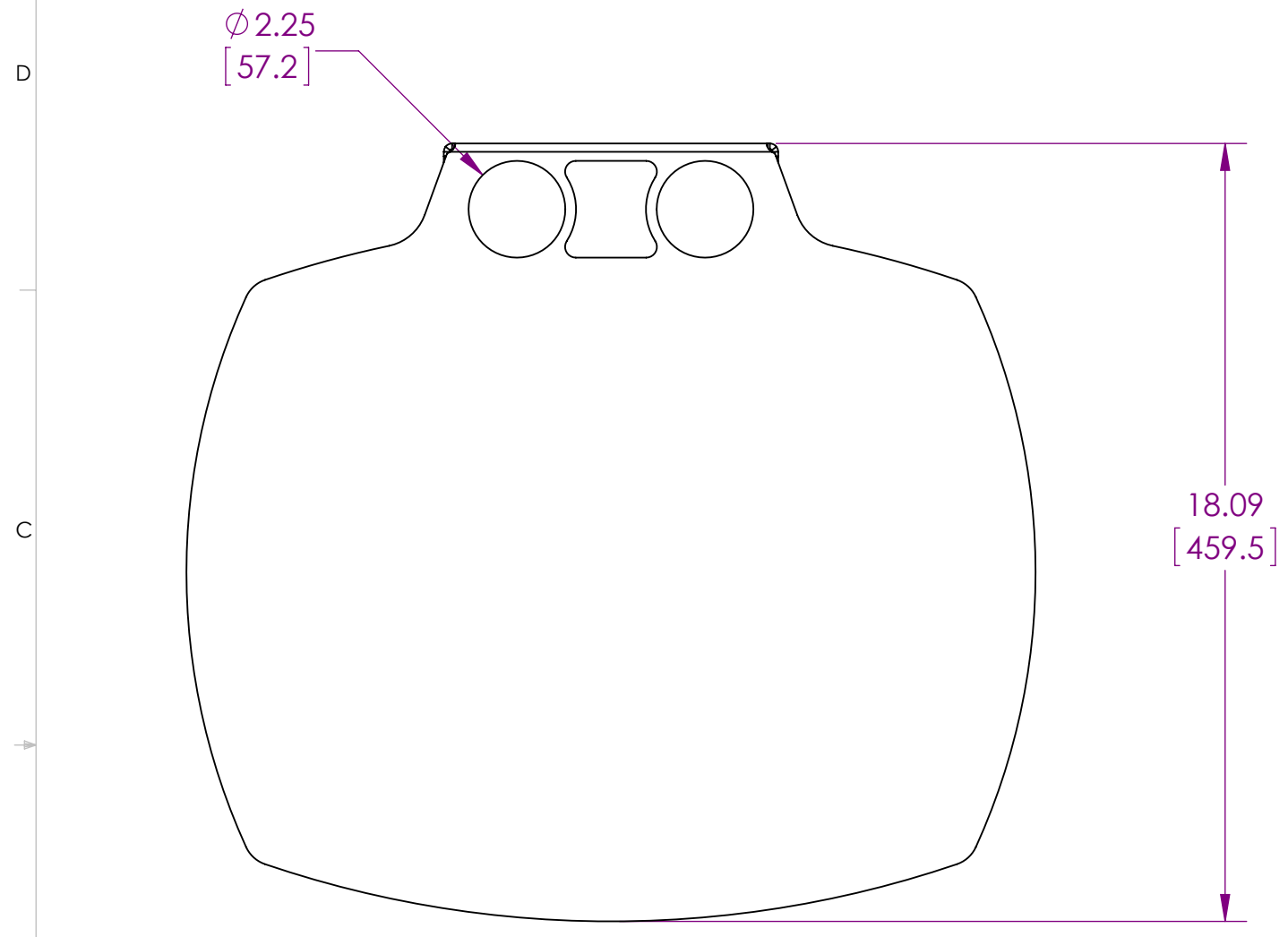
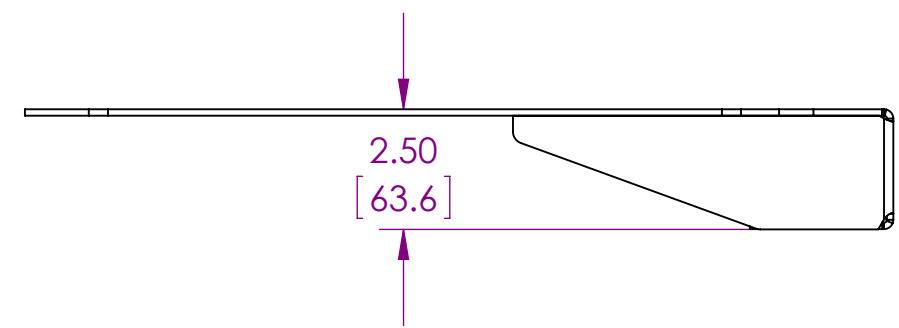



THE INFORMATION CONTAINED IN THIS DRAWING IS THE SOLE PROPERTY OF PREMIER MOUNTS DIVISION OF <PMPI> ANY REPRODUCTION IN PART OR WHOLE WITHOUT THE WRITTEN PERMISSION OF PREMIER MOUNTS DIVISION OF <PMPI> IS PROHIBITED.



SET SCREWS
(X4)



DIMENSION ARE IN INCH AND [MM]
MAXIMUM WEIGHT CAPACITY: 50 LBS


PREMIER MOUNTS
 THE ORIGINAL MOUNT COMPANY
 1321 South State College Blvd
 Fullerton Ca, 92831
 P. 800.368.9700 - F. 800.832.4888

ITEM DESCRIPTION:
SHELF FOR DUAL POLE CARTS AND STANDS

SIZE B	DWG. NO. PSD-SHB
SCALE: 1:4	SHEET 1 OF 1