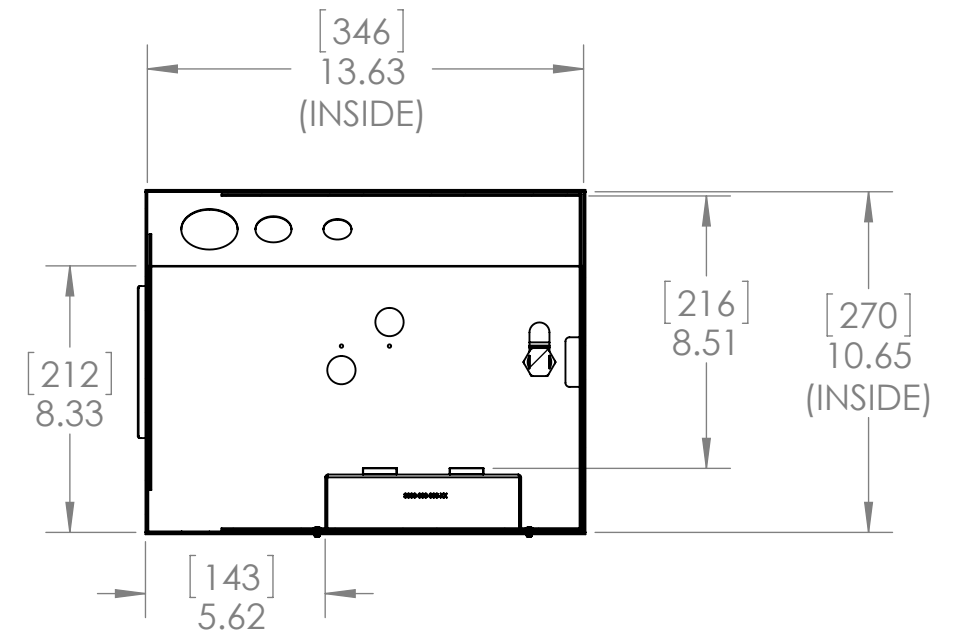
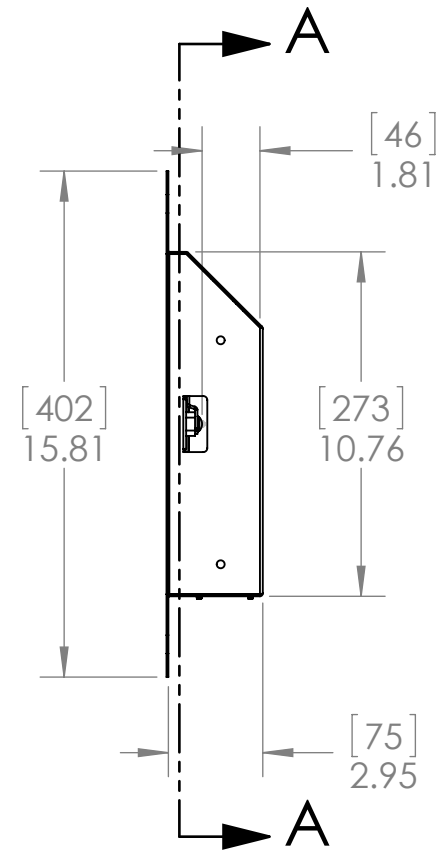
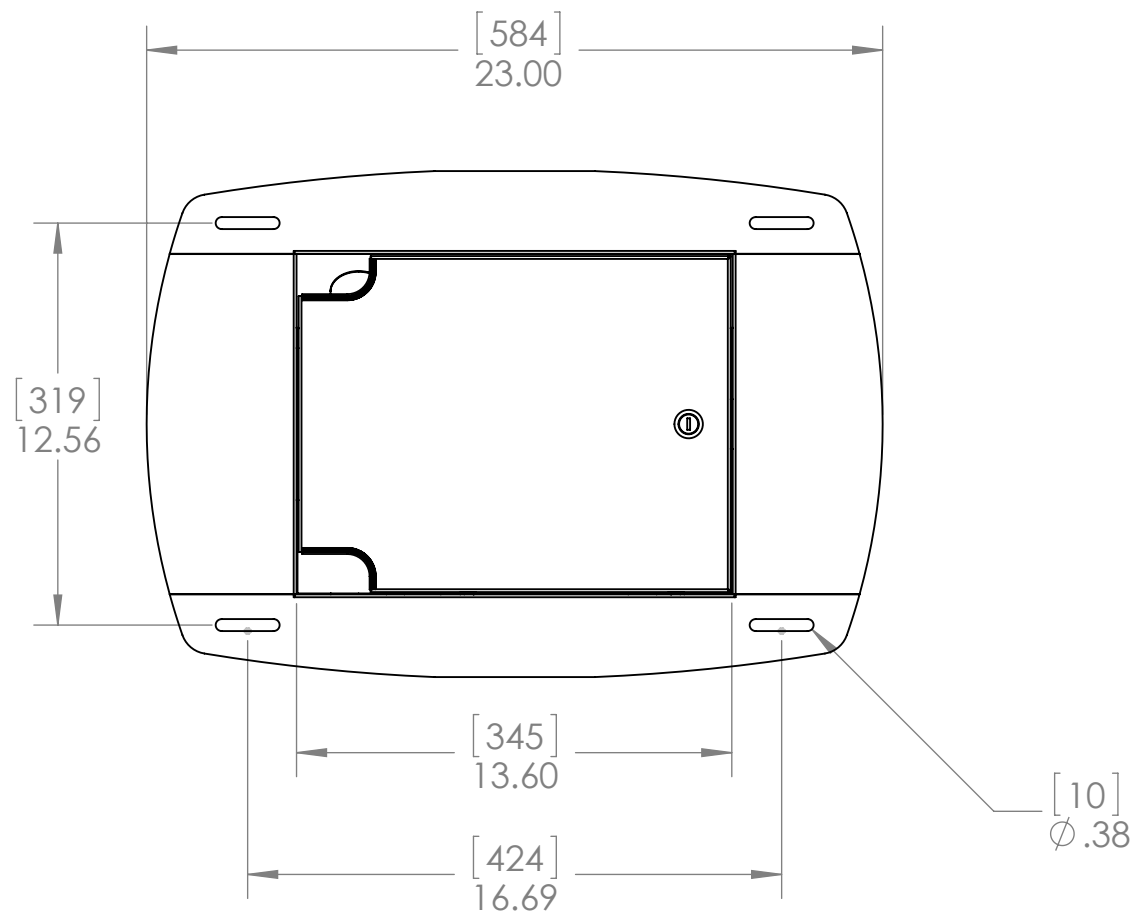
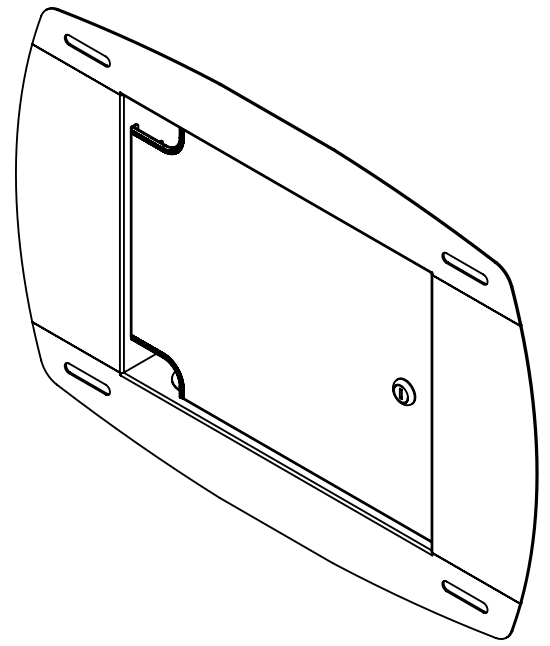
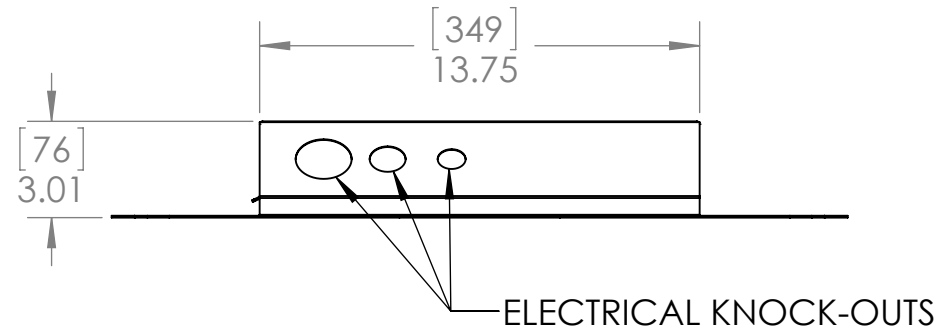


THE INFORMATION CONTAINED IN THIS DRAWING IS THE SOLE PROPERTY OF PREMIER MOUNTS DIVISION OF <PMPI> ANY REPRODUCTION IN PART OR WHOLE WITHOUT THE WRITTEN PERMISSION OF PREMIER MOUNTS DIVISION OF <PMPI> IS PROHIBITED.



SECTION A-A

DIMENSIONS ARE IN INCH [MM]



U.S. IN WALL SHOWN  
 1321 South State College Blvd  
 Fullerton Ca, 92831  
 P. 800.368.9700 - F. 800.832.4888

ITEM DESCRIPTION:	
AM100 IN-WALL BOX	
SIZE B	DWG. NO. INW-AM100
SCALE: 1:6	SHEET 1 OF 1