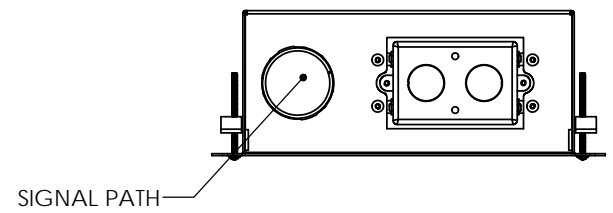
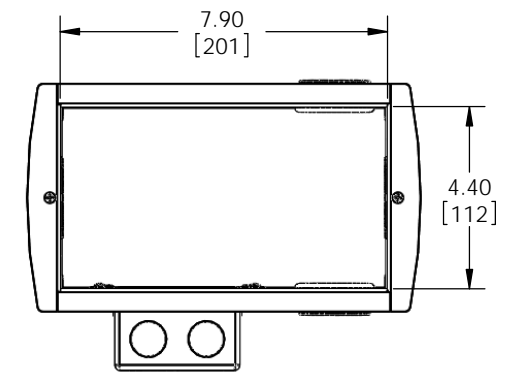
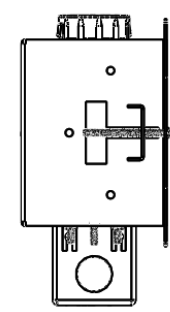
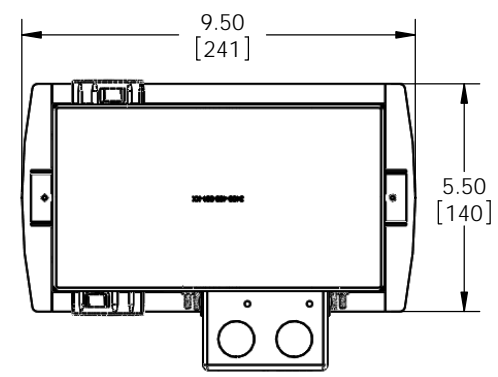
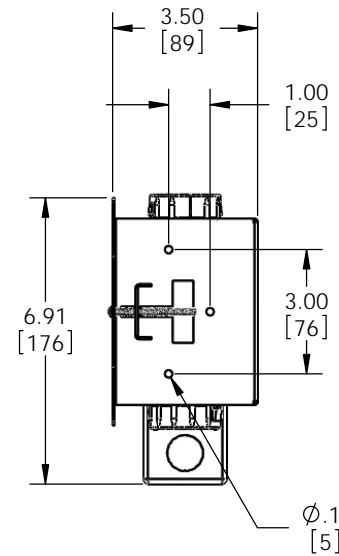
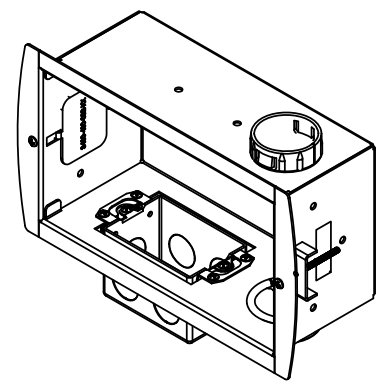
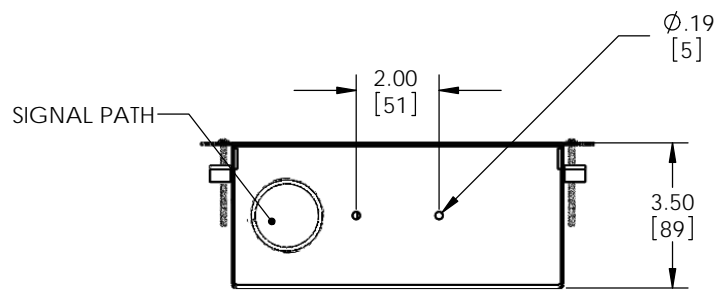



THE INFORMATION CONTAINED IN THIS DRAWING IS THE SOLE PROPERTY OF PREMIER MOUNTS DIVISION OF <PMPI>. ANY REPRODUCTION IN PART OR WHOLE WITHOUT THE WRITTEN PERMISSION OF PREMIER MOUNTS DIVISION OF <PMPI> IS PROHIBITED.



DIMENSIONS ARE IN INCH AND [MM]

 PREMIER MOUNTS <small>THE ORIGINAL MOUNT COMPANY</small> 1321 South State College Blvd Fullerton Ca, 92831 P. 800.368.9700 - F. 800.832.4888	
ITEM DESCRIPTION:	
IN-WALL A/V AND POWER GEARBOX	
SIZE B	DWG. NO. GB-INWAVP
SCALE: 1:3	SHEET 1 OF 1