

# Triple Ceiling Mount for Flat Panels up to 150 lb./68 kg

Model: **ECM-3000**

Weight Capacity: 150 lb./68 kg Per Head

## Features

**1** Suspend three flat panel displays from the ceiling, mounted right out of the box with no adapters needed

**2** Offers up to 15° of continuous downward tilt for each flat panel display

**3** Integrated cable management keeps installation clean and organized

- Works with optional brackets for mini PCs and digital media players

- Includes AST-2446-2 adjustable height ceiling adapter, providing 24-46 in. of adjustment in 1" increments

The ECM-3000 Triple Ceiling Mount for Flat Panels suspends a total of three displays from the ceiling. Each mounting bracket supports one flat panel up to 150 lb. for a total weight capacity of 450 lb., and the mount adapts to 2" NPT threaded pipe or height adjustable pipe adapters. The maximum screen width allowed in flat position is 75", and the maximum screen width in the tilt position is 63". The ECM-3000 also includes an AST-2446-2 adjustable height ceiling adapter, which provides 24-46 inches of adjustment in 1" increments.



Supports up to three flat panels up to 150 lb. each



Offers up to 15° of continuous downward tilt for each flat panel display



Integrated cable routing for a clean, organized look

# Triple Ceiling Mount for Flat Panels up to 150 lb./68 kg

## ECM-3000



### Specifications

<b>Color</b> Black	<b>Weight</b> 134.9 lb.   61.2 kg	<b>Weight Capacity / Mount</b> 150 lb.   68.2 kg	<b>Mounting Pattern</b> 200 x 200 mm (Min) - 875 x 505 mm (Max)
<b>Width x Height x Depth</b> 75 x 21.32 x 22.32 in.   1905 x 541 x 567 mm		<b>Total Weight Capacity</b> 450 lb.   204.1 kg	<b>Warranty</b> Lifetime

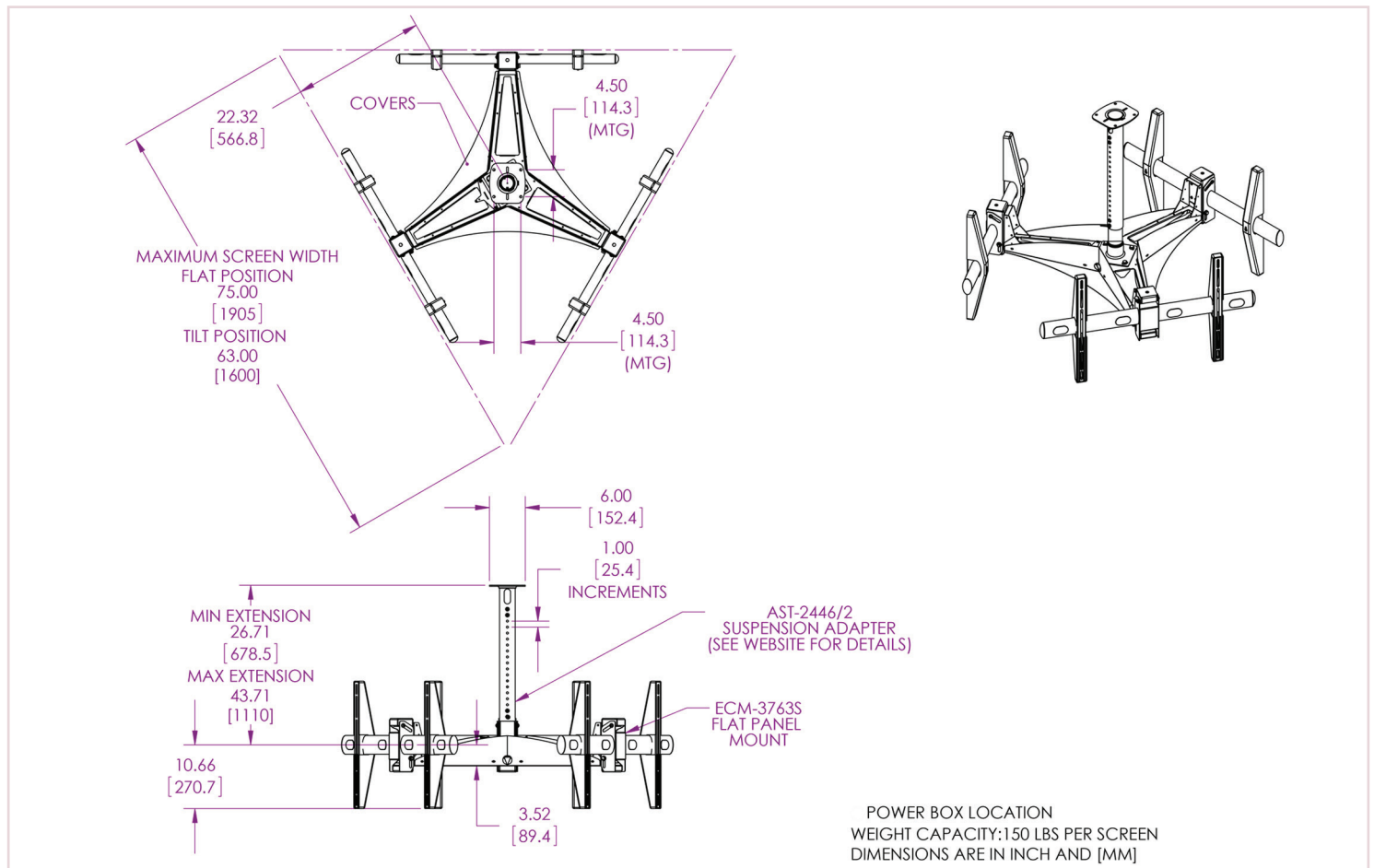
### Packaging

<b>Width x Height x Depth</b> Box 1: 39 x 35.25 x 8 in.   991 x 895 x 203 mm Box 2/3/4: 48.5 x 13.25 x 4 in.   1232 x 337 x 102 mm	<b>Contents</b> Triple Mount Structure (x1), Side Skirt (x1), Elliptical Tilt Mount (x3), Decorative Covers (x6), Mounting Bracket Arms (x6), Universal Hardware Kit (x1)
--	--

### Accessories

 ECM Series Adapter - For Mac mini <b>ECM-MAC2</b>	 Ceiling Adapter with 2 inch Swiveling Coupler <b>PP-6A</b>
--	---

### Architectural Drawing



Specifications subject to change without notice