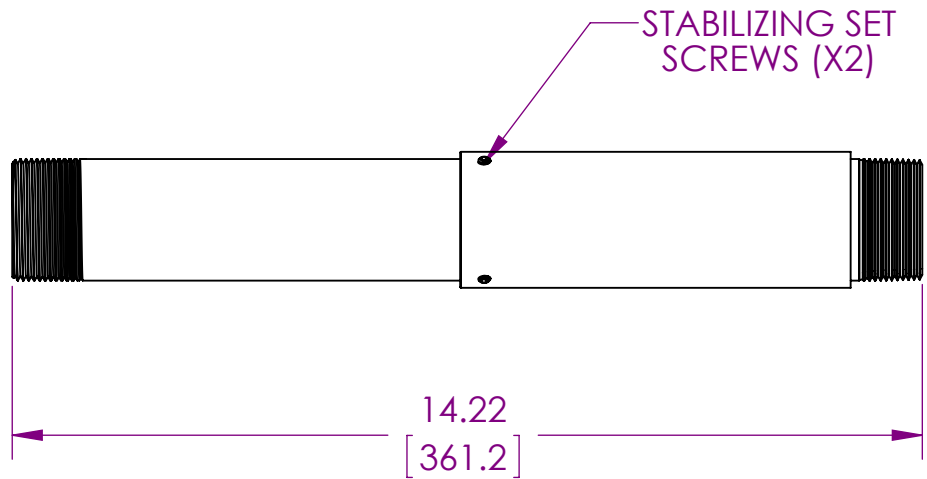
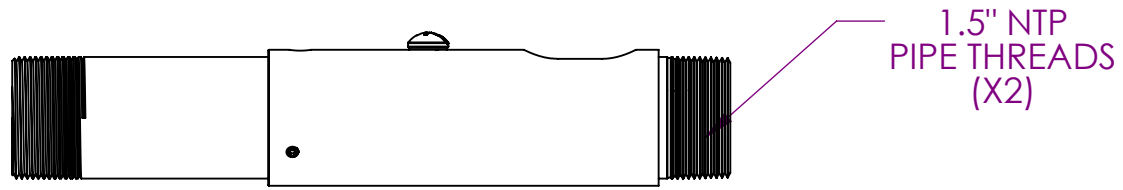
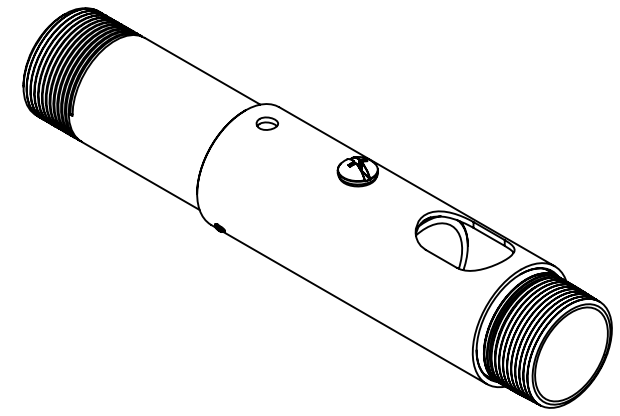
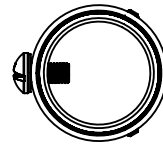
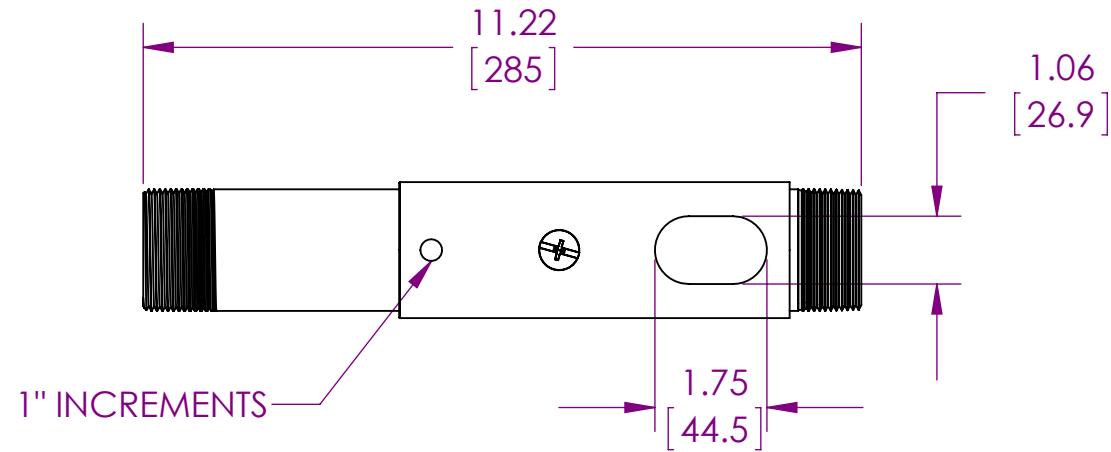


THE INFORMATION CONTAINED IN THIS DRAWING IS THE SOLE PROPERTY OF PREMIER MOUNTS DIVISION OF <PMPI> ANY REPRODUCTION IN PART OR WHOLE WITHOUT THE WRITTEN PERMISSION OF PREMIER MOUNTS DIVISION OF <PMPI> IS PROHIBITED.



WEIGHT CAPACITY: 160 LBS
 DIMENSION ARE IN INCH AND [MM]

 PREMIER MOUNTS <small>THE ORIGINAL MOUNT COMPANY</small> 1321 South State College Blvd Fullerton Ca, 92831 P. 800.368.9700 - F. 800.832.4888	
ITEM DESCRIPTION: ADJUSTABLE HEIGHT PIPE ADAPTER	
SIZE B	DWG. NO. APP-0912
SCALE: 1:3	SHEET 1 OF 1