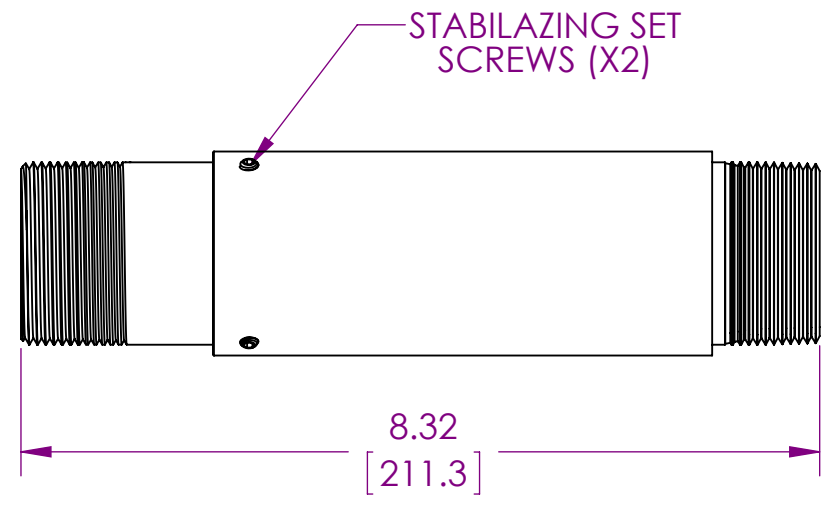
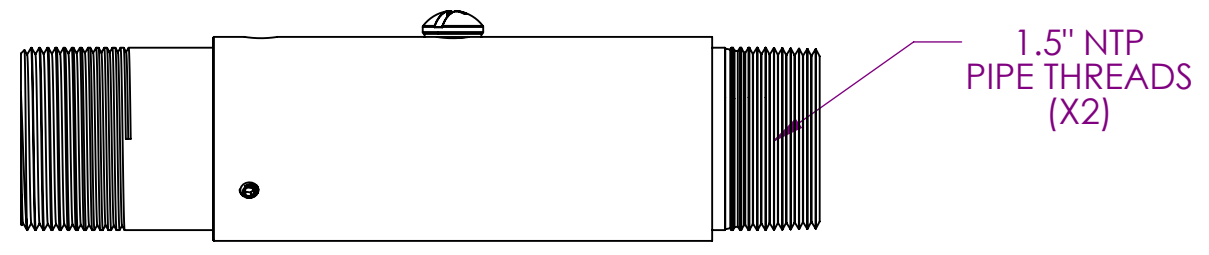
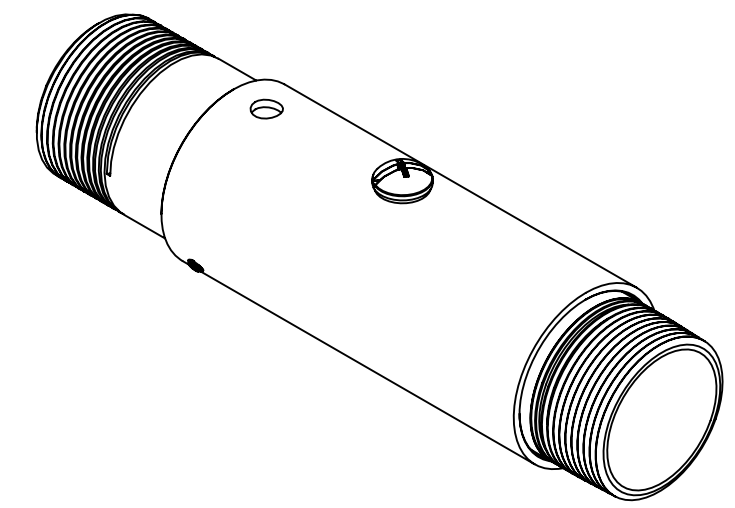
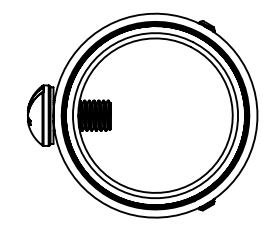
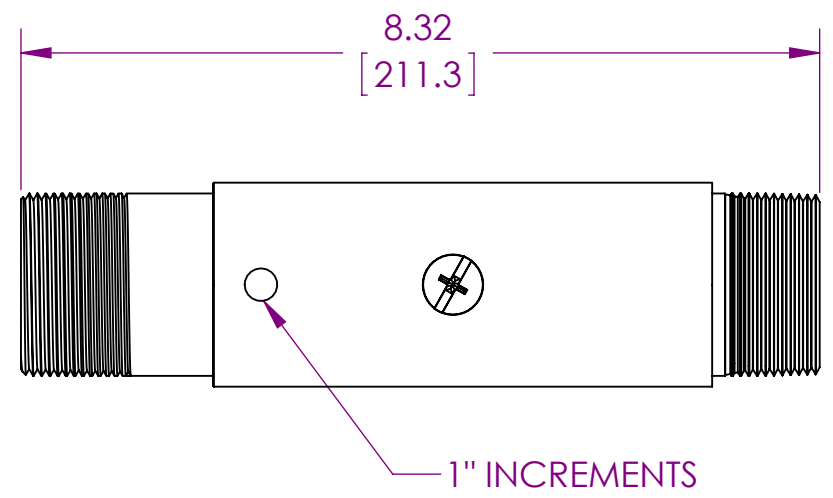


8 7 6 5 4 3 2 1

THE INFORMATION CONTAINED IN THIS DRAWING IS THE SOLE PROPERTY OF PREMIER MOUNTS DIVISION OF <PMPI> ANY REPRODUCTION IN PART OR WHOLE WITHOUT THE WRITTEN PERMISSION OF PREMIER MOUNTS DIVISION OF <PMPI> IS PROHIBITED.



PREMIER MOUNTS
 THE ORIGINAL MOUNT COMPANY
 1321 South State College Blvd
 Fullerton Ca, 92831
 P. 800.368.9700 - F. 800.832.4888

ITEM DESCRIPTION:
**ADJUSTABLE HEIGHT
 PIPE ADAPTER**

SIZE B	DWG. NO. APP-0609
SCALE: 1:2	
SHEET 1 OF 1	