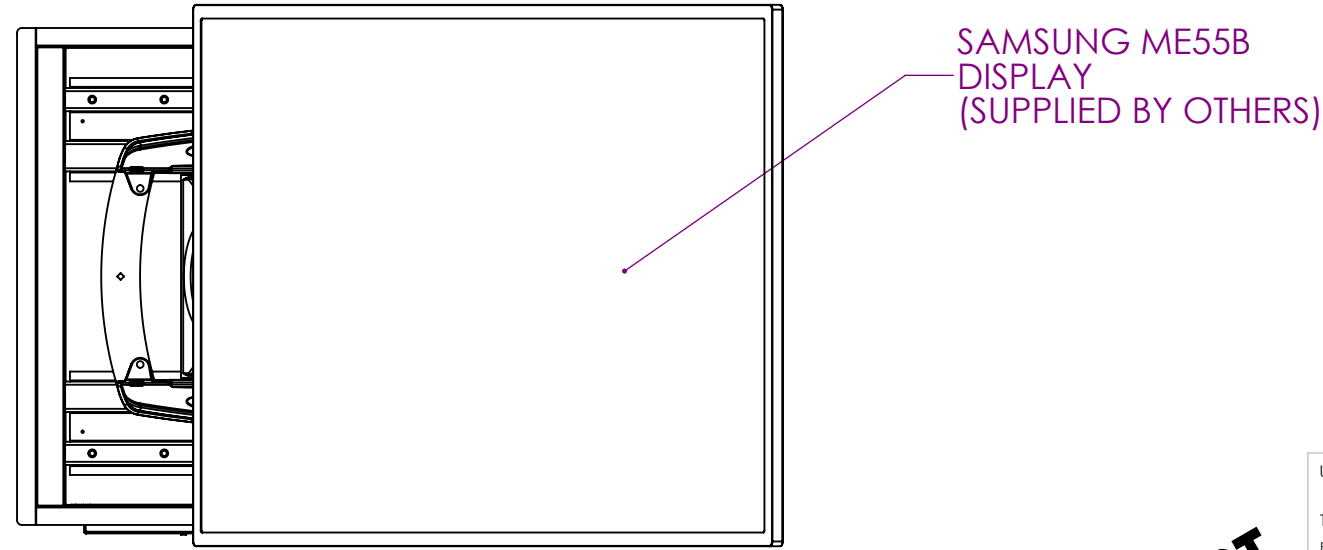
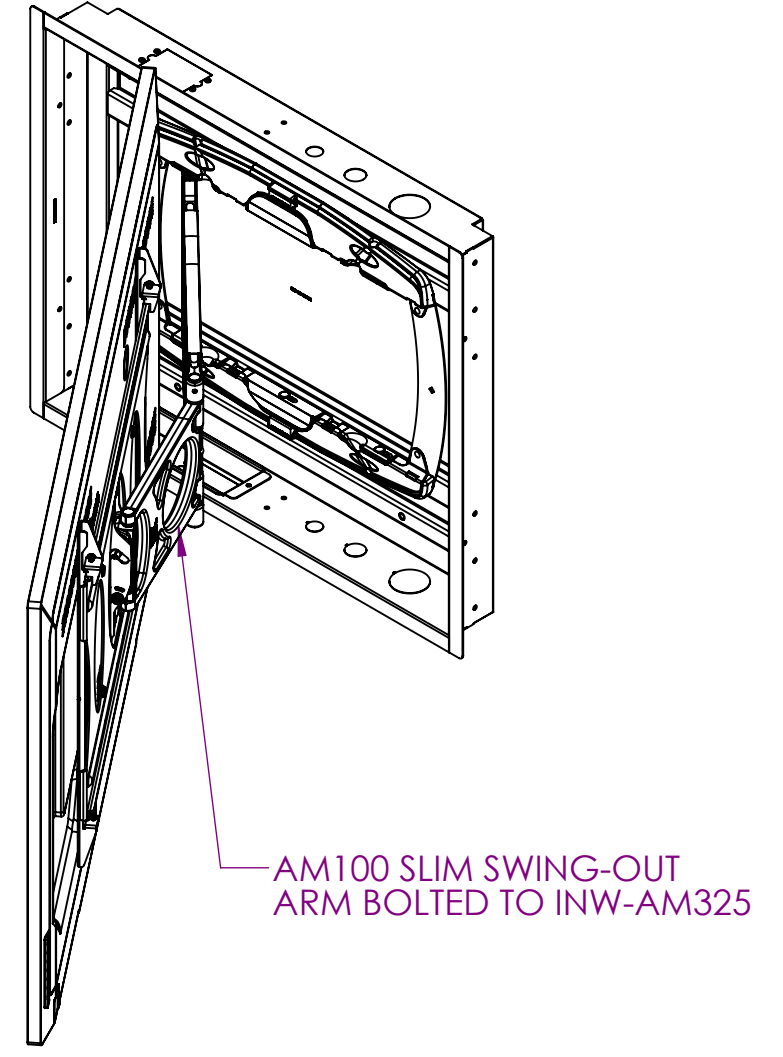
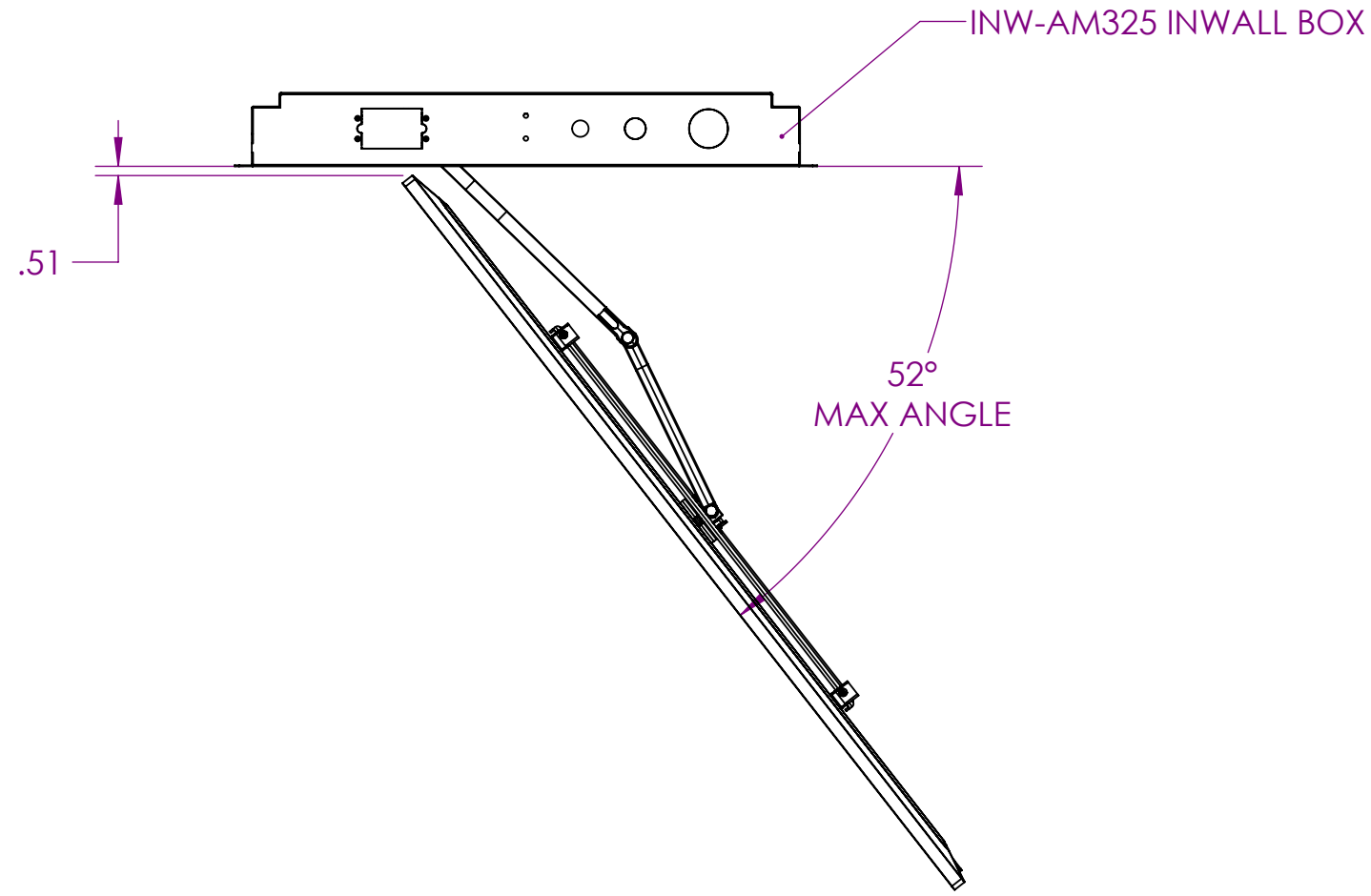


THE INFORMATION CONTAINED IN THIS DRAWING IS THE SOLE PROPERTY OF PREMIER MOUNT DIVISION OF <PMPI> ANY REPRODUCTION IN PART OR WHOLE WITHOUT THE WRITTEN PERMISSION OF PREMIER MOUNT DIVISION OF <PMPI> IS PROHIBITED.

NOTE: ALL DIMENSIONS ARE FOR FABRICATION ASSY AND VERIFICATION ONLY. GEOMETRY IS CONTROLLED AND MAINTAINED BY CAD FILE.

REVISIONS				
ZONE	REV.	DESCRIPTION	DATE	APPROVED



**CONCEPT**

NOTES:

1. INTERPRET DRAWING PER (Y14.5)
2. ALL DIMENSIONS ARE SUBJECT TO CHANGE AT THE FINAL DESIGN STAGE.

UNLESS OTHERWISE SPECIFIED DIMENSIONS ARE IN INCHES TOLERANCES ARE:		
FRACTIONS	DECIMALS	ANGLES
±1/32	.X ± .02	± 1/2°
	.XX ± .01	
	.XXX ± .005	


**PREMIER MOUNTS** *"CONFIDENTIAL"*  
**INWALL BOX WITH SLIM SWING-OUT ARM**

RESP ENG	AC	DO NOT SCALE DRAWING CAD GENERATED DRAWING, DO NOT MANUALLY UPDATE	DRAWN BY	AC	DATE:	8/20/15
APPROVAL	LEN DOZIER					
MATERIAL	XX	REFERENCE	SIZE	DWG. NO.	REV.	
FINISH	SEE NOTES:	WEIGHT	B	INW-AM325/AM100	XX	
			SCALE:	1:10	SHEET	1 OF 1