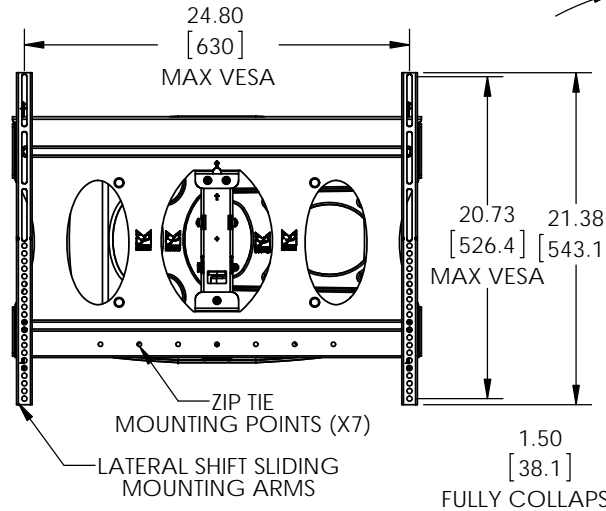
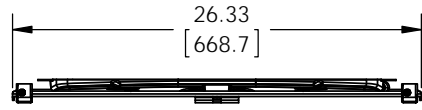


THE INFORMATION CONTAINED IN THIS DRAWING IS THE SOLE PROPERTY OF PREMIER MOUNTS DIVISION OF <PMPI>. ANY REPRODUCTION IN PART OR WHOLE WITHOUT THE WRITTEN PERMISSION OF PREMIER MOUNTS DIVISION OF <PMPI> IS PROHIBITED.



POST-INSTALLATION LEVELING SCREWS

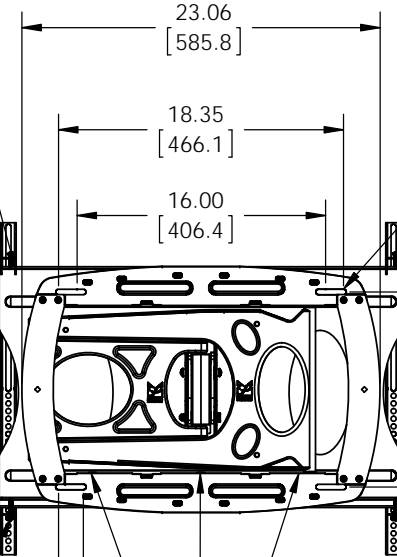
15° TILT

15.86 [402.8]

LOCKING SCREWS

3 ARM LOCATION OPTIONS FOR SWING OUT DIRECTION (TOP AND BOTTOM)

1.60 [40.6]



ARM PIVOTS 180°

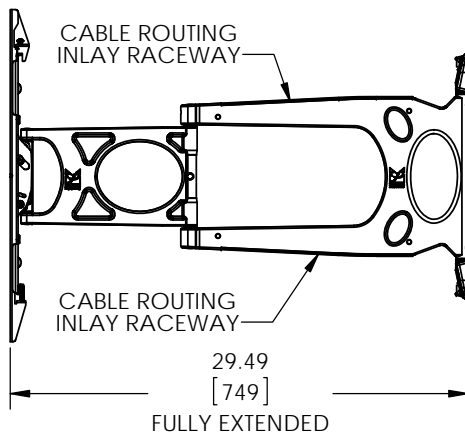
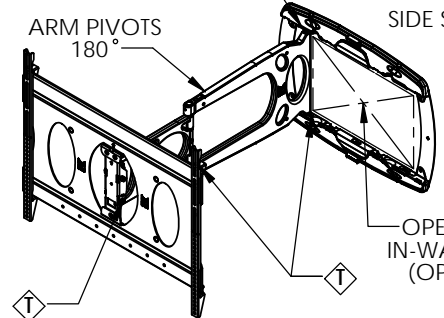
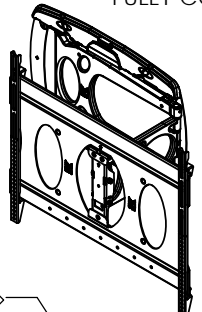
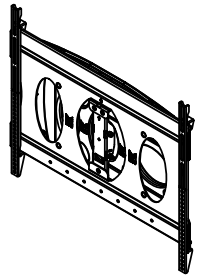
⚡

⚡

OPEN FOR IN-WALL BOX (OPTION)

FULLY EXTENDED

FULLY COLLAPSED



CABLE ROUTING INLAY RACEWAY

CABLE ROUTING INLAY RACEWAY

FULLY EXTENDED

⚡: TENSION ADJUSTMENT  
 WEIGHT CAPACITY: 100 LBS  
 DIMENSION ARE IN INCH AND [MM]

MOUNTS.COM

**PREMIER MOUNTS**  
 THE ORIGINAL MOUNT COMPANY

1321 South State College Blvd  
 Fullerton Ca, 92831  
 P. 800.368.9700 - F. 800.832.4888

ITEM DESCRIPTION:  
**LOW PROFILE ULTRA SLIM SWINGOUT ARM**

SIZE	DWG. NO.
B	AM100

SCALE: 1:8

SHEET 1 OF 1