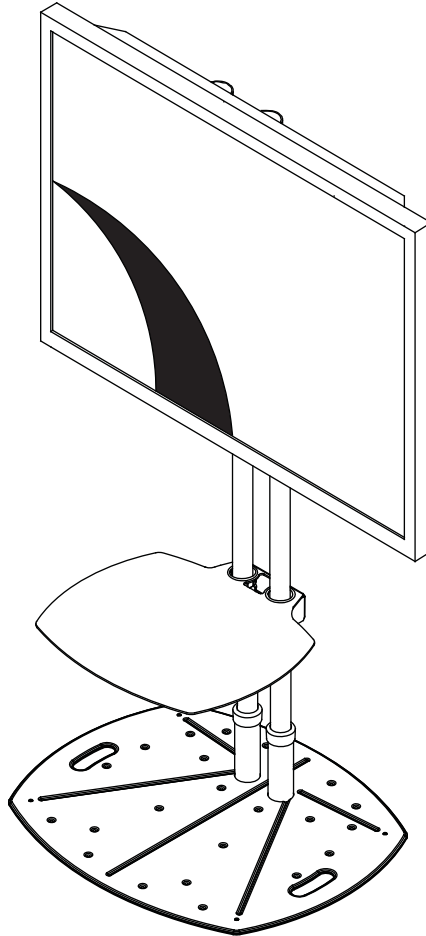


## INSTALLATION INSTRUCTIONS



**PSD-TL**  
60" / 72" / 84"  
Floor Stand

---

**NORTH AMERICA**  
3130 East Miraloma Avenue  
Anaheim, CA 92806 USA  
USA and Canada –  
Phone: 800-368-9700  
Fax: 800-832-4888

---

**EUROPE**  
Swallow House,  
Shilton Industrial Estate,  
Shilton, Coventry, England CV79JY  
Phone: +44 (0) 2476 614700  
Fax: +44 (0) 2476 614710



## Table of Contents

Warning Statements ..... 2

Parts List ..... 3

Installation Tools ..... 3

Features ..... 4

Support Pole Installation ..... 5

Adapter Installation ..... 5

CTM and PSM Series Installation ..... 6


USA, UFA and RTM-L/S Installation ..... 7


Optional Installations ..... 8


Technical Specifications ..... 9

Warranty ..... 10


### Warning Statements


 PRIOR TO THE INSTALLATION OF THIS PRODUCT, THE INSTALLATION INSTRUCTIONS SHOULD BE READ AND COMPLETELY UNDERSTOOD. THE INSTALLATION INSTRUCTIONS MUST BE READ TO PREVENT PERSONAL INJURY AND PROPERTY DAMAGE. KEEP THESE INSTALLATION INSTRUCTIONS IN AN EASILY ACCESSIBLE LOCATION FOR FUTURE REFERENCE.


 PREMIER MOUNTS DOES NOT WARRANT AGAINST DAMAGE CAUSED BY THE USE OF ANY PREMIER MOUNTS PRODUCT FOR PURPOSES OTHER THAN THOSE FOR WHICH IT WAS DESIGNED OR DAMAGE CAUSED BY UNAUTHORIZED ATTACHMENTS OR MODIFICATIONS, AND IS NOT RESPONSIBLE FOR ANY DAMAGES, CLAIMS, DEMANDS, SUITS, ACTIONS OR CAUSES OF ACTION OF WHATEVER KIND RESULTING FROM, ARISING OUT OF OR IN ANY MANNER RELATING TO ANY SUCH USE, ATTACHMENTS OR MODIFICATIONS.


 THE FLOOR STRUCTURE MUST BE CAPABLE OF SUPPORTING AT LEAST FIVE TIMES THE WEIGHT OF THE STAND AND ALL ATTACHED DEVICES. IF NOT, THE FLOOR STRUCTURE MUST BE REINFORCED. THE MAXIMUM WEIGHT THAT MAY BE USED WITH THIS STAND CANNOT EXCEED 160LBS. PROPER INSTALLATION PROCEDURE BY A QUALIFIED SERVICE TECHNICIAN, AS OUTLINED IN THE INSTALLATION INSTRUCTIONS, MUST BE ADHERED TO. FAILURE TO DO SO COULD RESULT IN SERIOUS PERSONAL INJURY, OR EVEN DEATH. THE OPTIONAL SHELF IS ONLY CAPABLE OF HOLDING 25LBS. OR LESS.



 SAFETY MEASURES MUST BE PRACTICED AT ALL TIMES DURING THE INSTALLATION OF THIS PRODUCT. USE PROPER SAFETY GEAR AND TOOLS FOR THE INSTALLATION PROCEDURE TO PREVENT PERSONAL INJURY.

 At least two qualified people should perform the assembly procedure. Injury and/or damage can result from dropping or mishandling the flat-panel.

 Do not install on a structure that is prone to vibration, movement or chance of impact. Failure to do so could result in damage to the flat-panel and/or damage to the mounting surface.

 This product is intended for indoor use only. Use of this product outdoors could lead to product failure and personal injury.

 Do not install near sources of high heat. Do not install on a structure that is prone to vibration, movement or chance of impact.

  **CAUTION** This stand is intended for use only with the maximum weights indicated. Use with products heavier than the maximum weights indicated may result in instability causing possible injury.

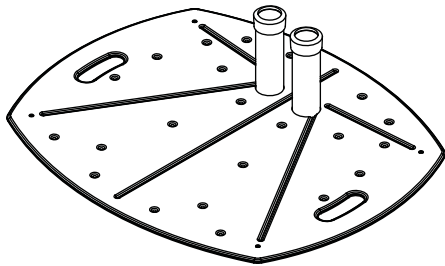
 Contact Premier Mounts with any questions  
 (800) 368-9700  
 techsupport@mounts.com



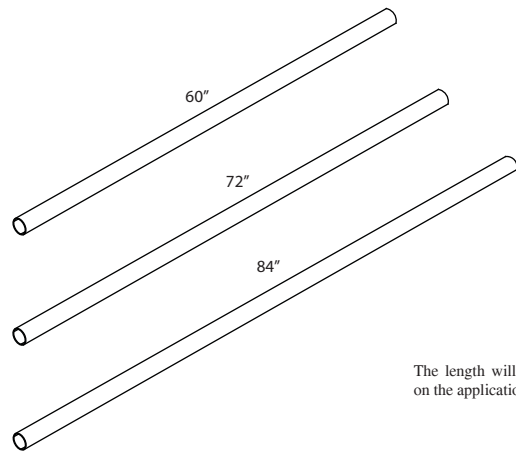
### Parts List



Congratulations on the purchase of your new Premier Mounts PSD-TL stand. This stand is shipped with all proper installation hardware and components. Make sure that none of these parts are missing and/or damaged before beginning installation. If there are parts missing and/or damaged, please stop the installation and contact Premier Mounts (800) 368-9700.

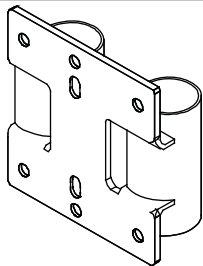


PSD-TL Base (Qty 1)



Support Poles (Qty 2)

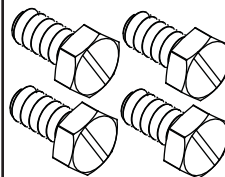
The length will vary depending on the application.



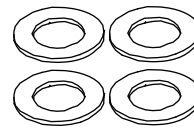
PSD-SPA (Qty 1)



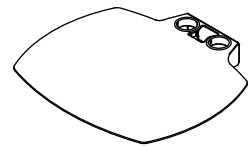
M8 x 10mm Set Screw (Qty 10)



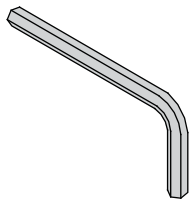
M10 x 12mm Slotted Hex Head (Qty 4)



M10 Flat Washers (Qty 4)

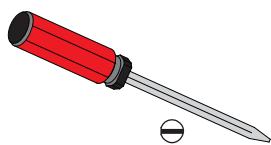
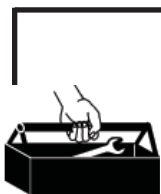


**NOTE:** Shelf (Optional)  
The max weight capacity for the shelf is 25lbs.

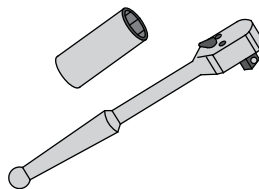


5/32" Allen Wrench

### Installation Tools (not supplied)



Screwdriver (Not Supplied)

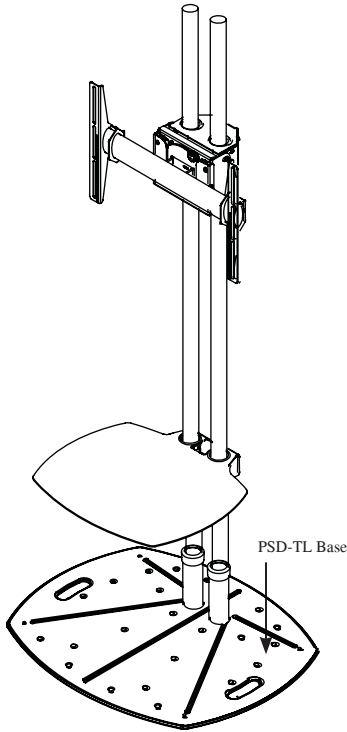


1/2" Socket and Socket Wrench (Not Supplied)

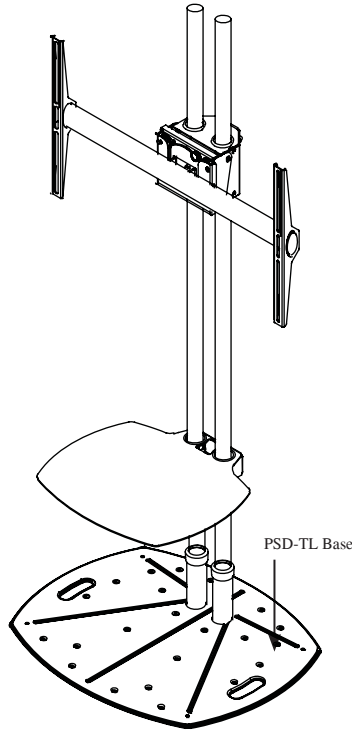


### Features

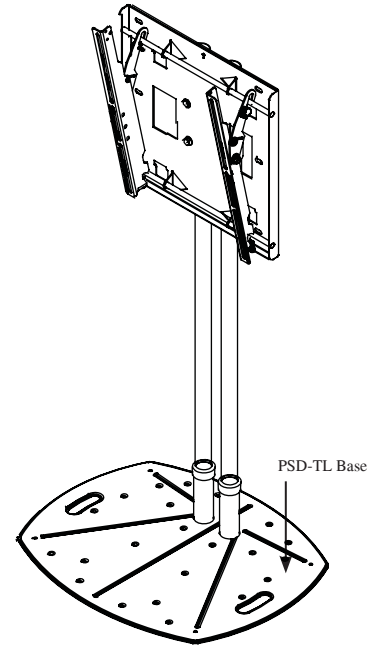
Congratulations on the purchase of your new Premier Mounts PSD-TL Floor Stand. When combined with a mount, our floor stand allows you to place a flat-panel in a horizontal or vertical position (with PSM and RTM-L/S mounts only). The flat-panel height is adjustable to any point along the stand's vertical support poles to achieve the perfect viewing level. The PSD-TL mates directly to our CTM, USA, UFA, RTM-L/S or PSM series of mounts.



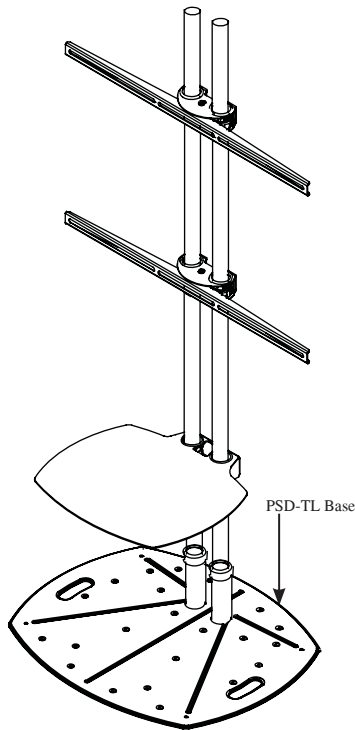
RTM-S Mount



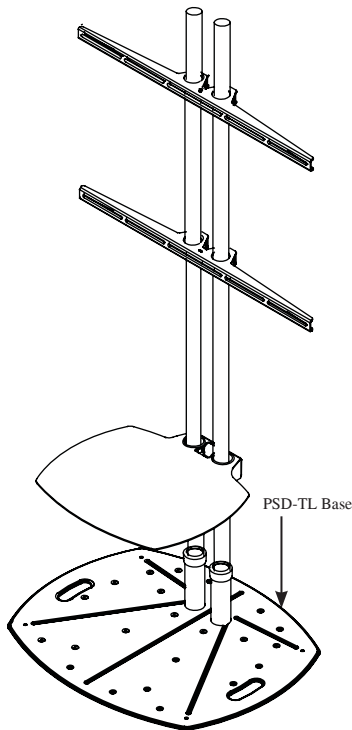
RTM-L Mount



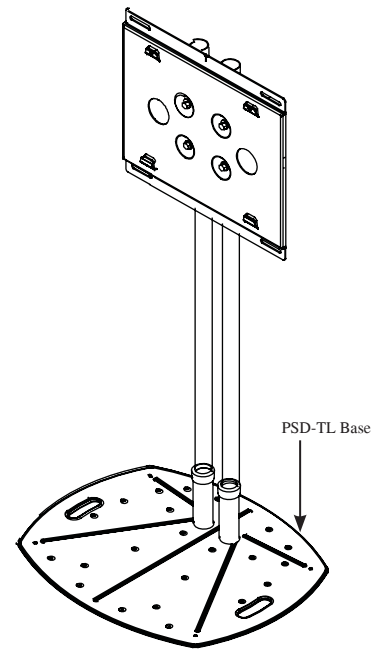
CTM Series Mount



USA Mount



UFA Mount



PSM Series Mount



Remove the stand out of the box and check for all proper hardware, if missing any hardware please call Premier Mounts.

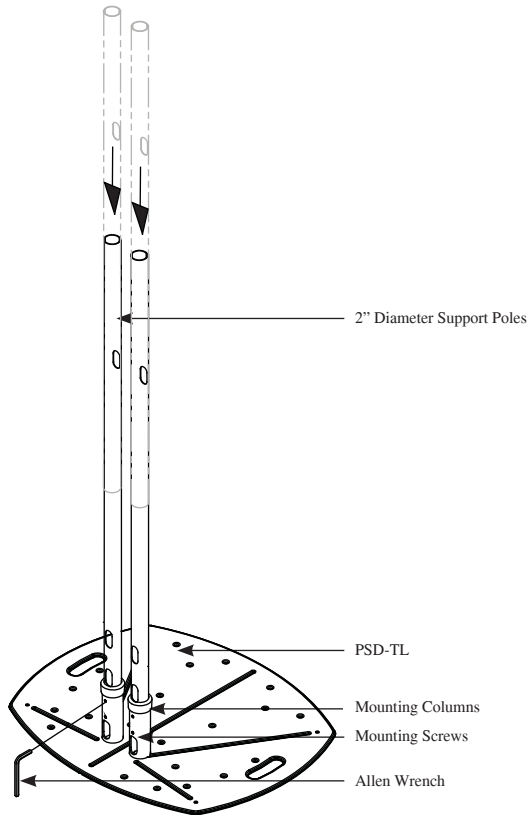


**NOTE** A mount is required to complete the PSD-TL system. Refer to the mount's installation instructions to install the mounting bracket.



**NOTE** Please see Page 8 for optional shelf installation instructions.

## Support Pole Installation



- Step 1.** Insert the poles inside the base columns of the PSD-TL, making sure they are fully seated on the base with the cable access holes facing the rear of the base.
- Step 2.** Secure the support poles by inserting and tightening the four (4) M8 x 10mm locking set screws that are located on the back of the mounting columns.
- Step 3.** Tighten set screw with the supplied Allen wrench. Do not over tighten the screws.

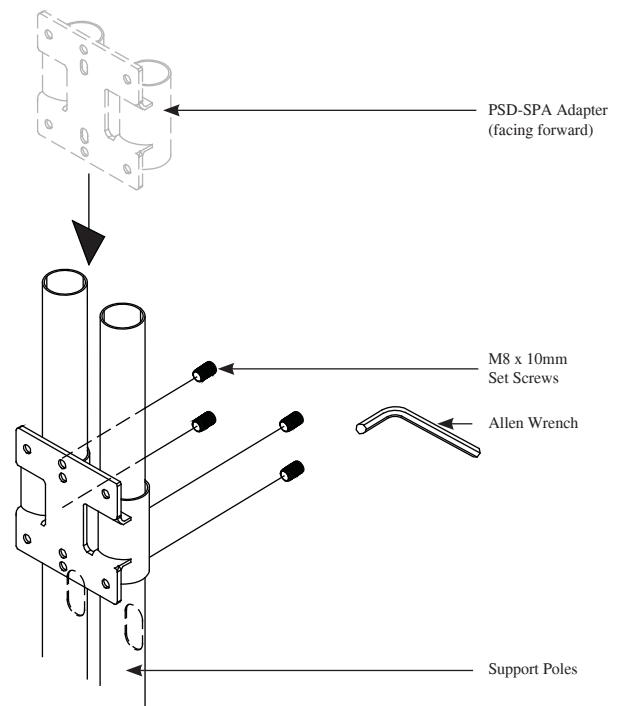
## Adapter Installation



**NOTE** The PSD-SPA adapter is used with the CTM and PSM Series mounts only. The PSD-SPA is not needed when installing the USA, UFA or RTM-L/S mounts.






**NOTE** The PSD-SPA must be facing forward when mounted to the support poles.




- Step 1.** Install the PSD-SPA (mount adapter) over the top of the support poles and secure it at the desired height with the four (4) M8 x 10 set screws (supplied).
- Step 2.** Use the Allen wrench (supplied) to secure the adapter to the support poles.



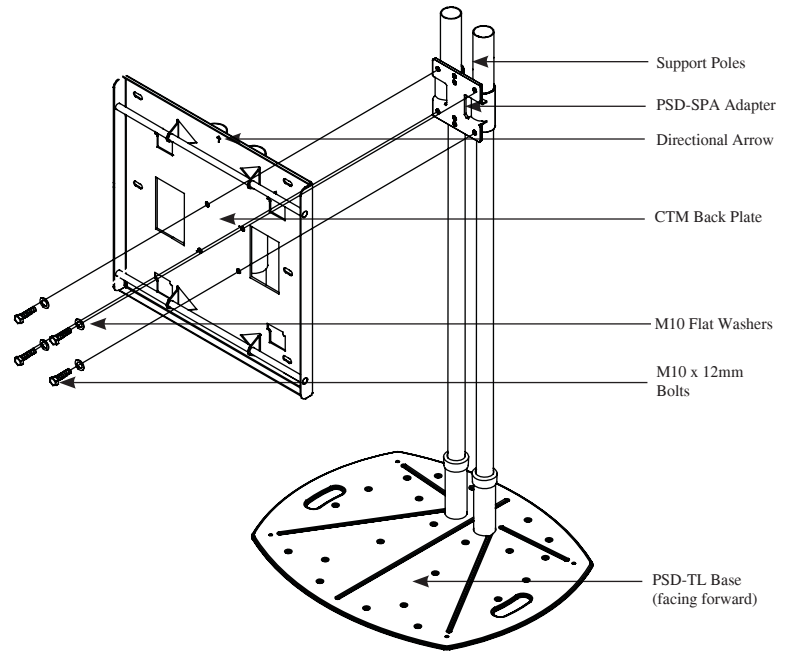
### CTM and PSM Series Installation

-  **CAUTION** This stand is intended for use only with the maximum weights indicated. Use with products heavier than the maximum weights indicated may result in instability causing possible injury.
-  **CAUTION** The flat-panel is very heavy; two people are required to lift the flat-panel and secure it to the stand.
-  **NOTE** To install the mounting brackets to the flat-panel, refer to the CTM and PSM installation instructions.

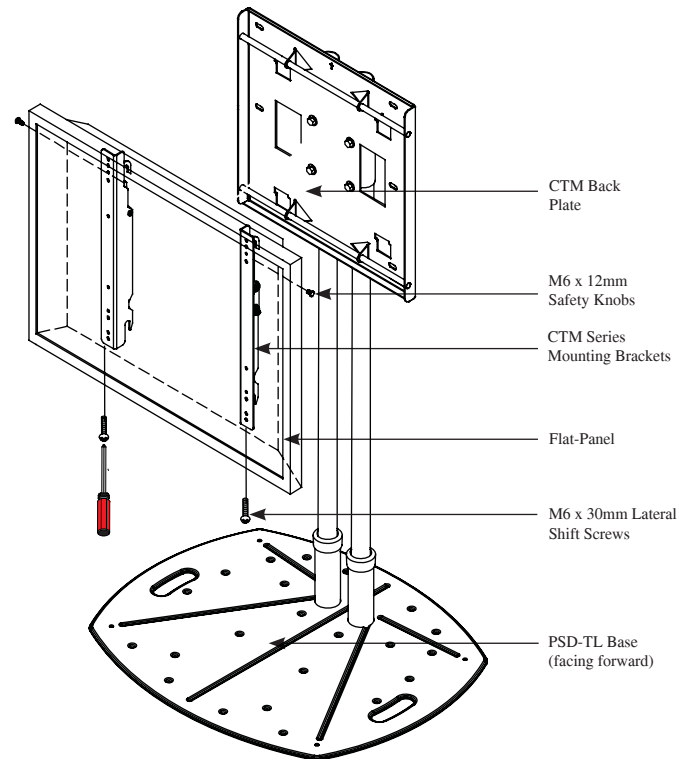
### Installing the CTM


-  **CAUTION** The directional arrow must be pointing up prior to installation. Secure the following plates to the secured PSD-SPA on the support poles.

**Step 1.** For the CTM-Series, secure the back plate to the four (4) threaded mounting points found on the PSD-SPA with the four (4) M10 x 12 bolts and flat washers (supplied).



- Step 2.** Raise the flat-panel with the left and right brackets secured to the flat-panel and insert the bottom and top hooks from the mounting arms to the top and bottom rods found on the CTM back plate.
- Step 3.** Secure the mounting arms with the two (2) M6 x 12mm Safety knobs (supplied with the CTM mount).
- Step 4.** Insert and tighten two (2) M6 x 30mm lateral shift screws (supplied with the CTM mount) on the bottom of the mounting arms. These screws will prevent the flat panel from moving side-to-side.

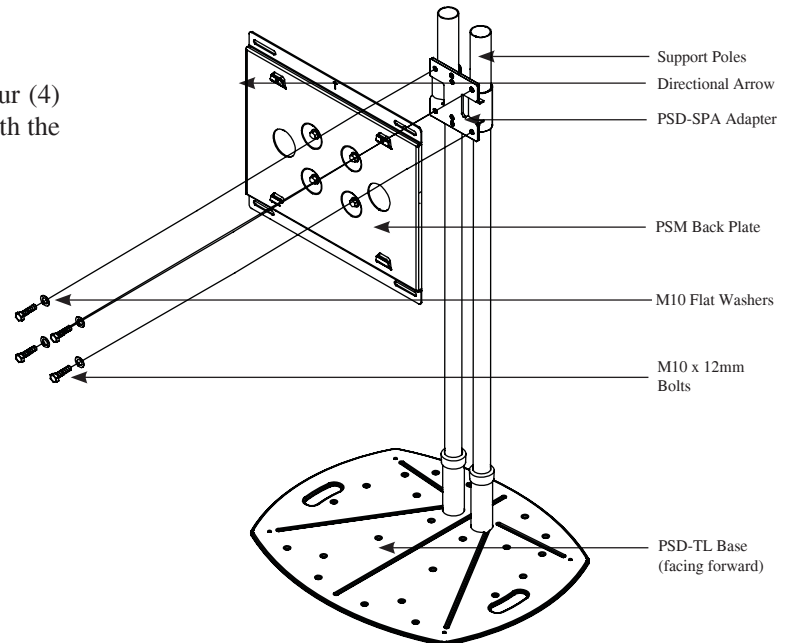


-  **CAUTION** The safety knobs **MUST** be used. Failure to do so may result in damage to the flat-panel or personal injury.



## Installing the PSM

**Step 1.** For the PSM-Series, secure the back plate to the four (4) threaded mounting points found on the PSD-SPA with the four (4) M10 x 12 bolts and flat washers (supplied).

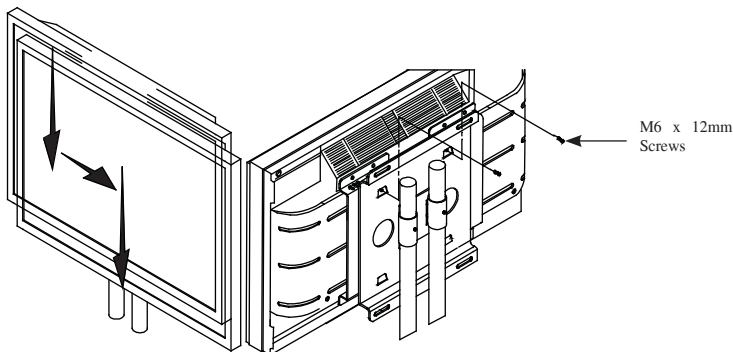
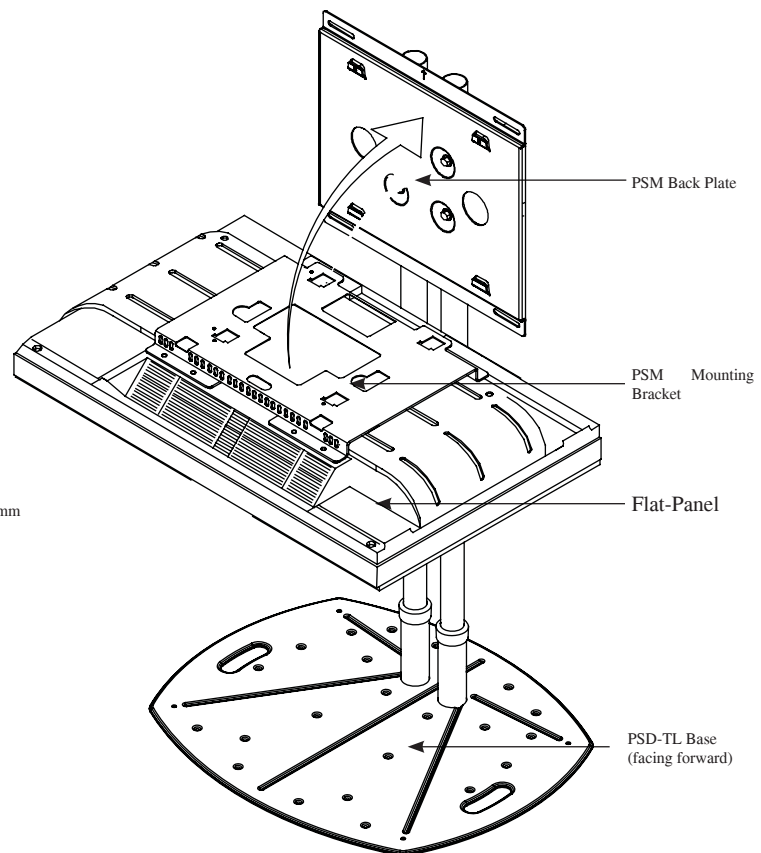


**Step 2.** Raise the flat-panel display with the mounting bracket secured and insert the four (4) tab openings from the PSM mount to the four (4) receiving tabs found on the back plate.

**Step 3.** Push the flat-panel display down, right and down again to lock the mount together.

**Step 4.** Make sure all tab openings are interlocked with the receiving tabs before letting go of the flat-panel.

**Step 5.** Secure the brackets with two (2) M6 x 12mm Phillips (supplied with the PSM mount) screws for additional security.



## USA, UFA and RTM-L/S Installations



**NOTE** The USA, UFA, RTM-L and RTM-S Series of stand/cart mounts attach to the PSD-TL without the use of the PSD-SPA. Please follow the installation instructions that are packaged with these mounts.

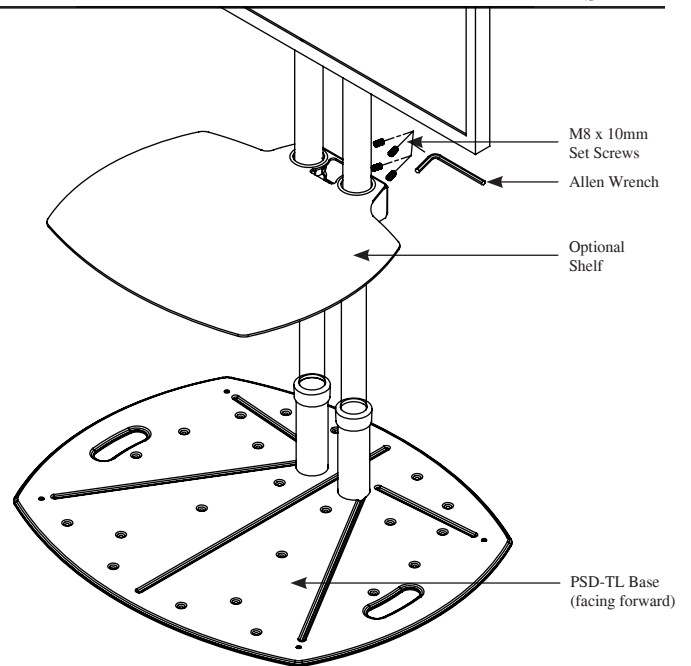
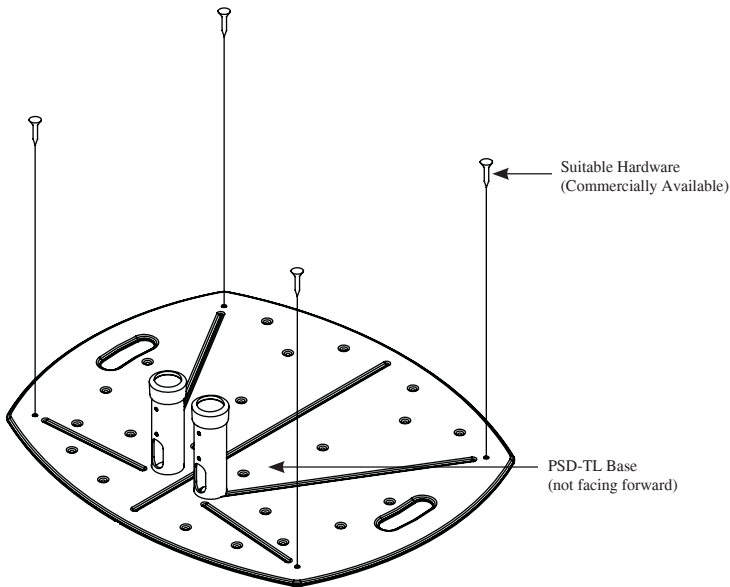
**Step 1.** Slide the USA, UFA, RTM-L and RTM-S Series over and onto the support poles.

**Step 2.** Determine the desired height.

**Step 3.** Tighten the set screws, located at the rear of each mount, using the supplied Allen wrench.



## Optional Installations



### Floor Installation

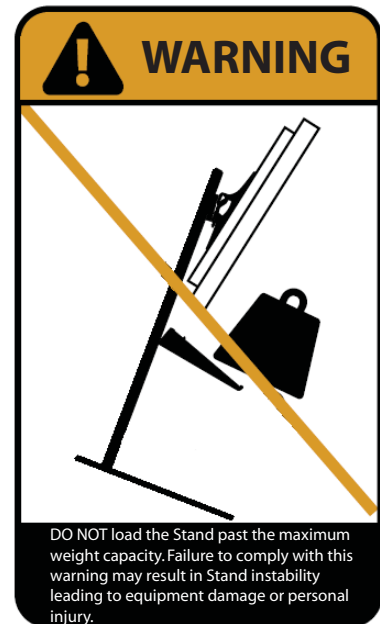
**Step 1.** If securing the base to the floor, use (commercially available) hardware.

### Shelf Installation

**CAUTION** Do not install the optional shelf higher than 39".

**NOTE** If using a shelf, please install prior to attaching the flat-panel.

- Step 1.** The shelf must be attached before the flat-panel and PSD-SPA adapter is installed to the stand.
- Step 2.** Attach the shelf to the poles by sliding the shelf over the poles and down into position.
- Step 3.** Determine the final height and secure the shelf using four (4) M8 x 10mm set screws.
- Step 4.** Tighten these screws using the supplied Allen wrench.

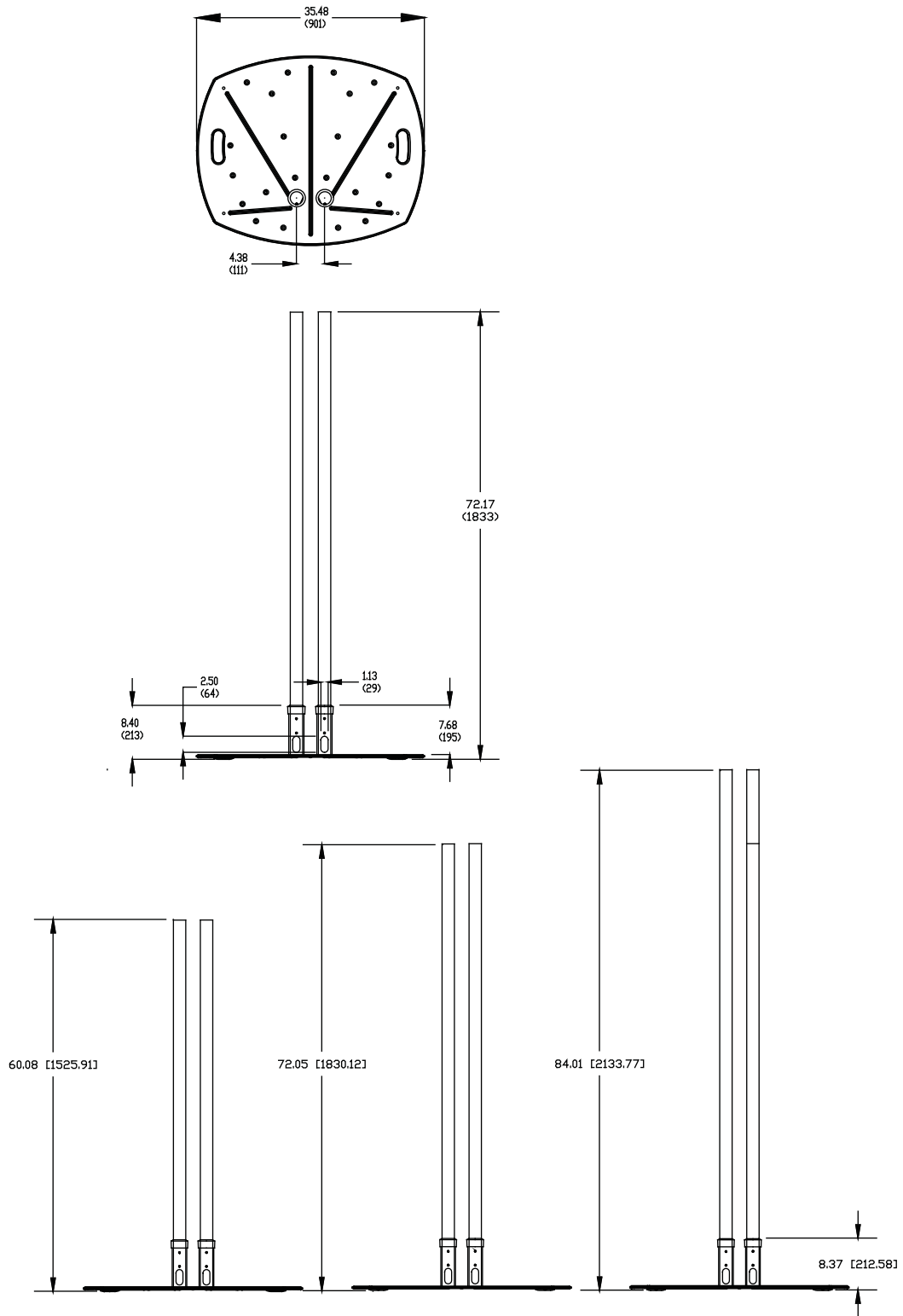






### Technical Specifications

All measurements are in inches(mm).





## Warranty

### **PREMIER MOUNTS LIMITED LIFETIME WARRANTY**

#### **What and Who is Covered by this Limited Warranty and for How Long**

Premier Mounts warrants this product to be free from defects in material and workmanship for the lifetime of the original owner of this product. The limited warranty is valid only for the original purchaser of the product.

#### **What Premier Mounts Will Do**

At the sole option of Premier Mounts, Premier Mounts will repair or replace any product or product part that is defective. If Premier Mounts chooses to replace a defective product or part, a replacement product or part will be shipped to you at no charge, but you must pay any labor costs.

#### **What is Not Covered; Limitations**

PREMIER MOUNTS DISCLAIMS ANY LIABILITY FOR DAMAGE TO MOUNTS, ADAPTERS, DISPLAYS, PROJECTORS, OTHER PROPERTY, OR PERSONAL INJURY RESULTING, IN WHOLE OR IN PART, FROM IMPROPER INSTALLATION, MODIFICATION, USE OR MISUSE OF ITS PRODUCTS.

PREMIER MOUNTS DISCLAIMS ALL OTHER WARRANTIES, EXPRESS OR IMPLIED, INCLUDING WARRANTIES OF MERCHANTABILITY AND FITNESS FOR A PARTICULAR PURPOSE. PREMIER MOUNTS IS NOT RESPONSIBLE FOR INCIDENTAL OR CONSEQUENTIAL DAMAGES, INCLUDING BUT NOT LIMITED TO, INABILITY TO USE ITS PRODUCTS OR LABOR COSTS FOR REMOVING AND REPLACING DEFECTIVE PRODUCTS OR PARTS. SOME STATES DO NOT ALLOW THE EXCLUSION OR LIMITATION OF INCIDENTAL OR CONSEQUENTIAL DAMAGES, SO THE ABOVE LIMITATION OR EXCLUSION MAY NOT APPLY TO YOU.

#### **What Customers Must Do for Limited Warranty Service**

If you discover a problem that you think may be covered by the warranty you **MUST REPORT** it in writing to the address below within thirty (30) days. Proof of purchase (an original sales receipt) from the original consumer purchaser must accompany all warranty claims. Warranty claims must also include a description of the problem, the purchaser's name, address, and telephone number. General inquiries can be addressed to Premier Mounts Customer Service at 1-800-368-9700. Warranty claims will not be accepted over the phone or by fax.

Premier Mounts  
Attn: Warranty Claim  
3130 East Miraloma Ave.  
Anaheim, CA 92806

#### **How State Law Applies**

THIS WARRANTY GIVES YOU SPECIFIC LEGAL RIGHTS, AND YOU MAY ALSO HAVE OTHER RIGHTS WHICH VARY FROM STATE TO STATE.