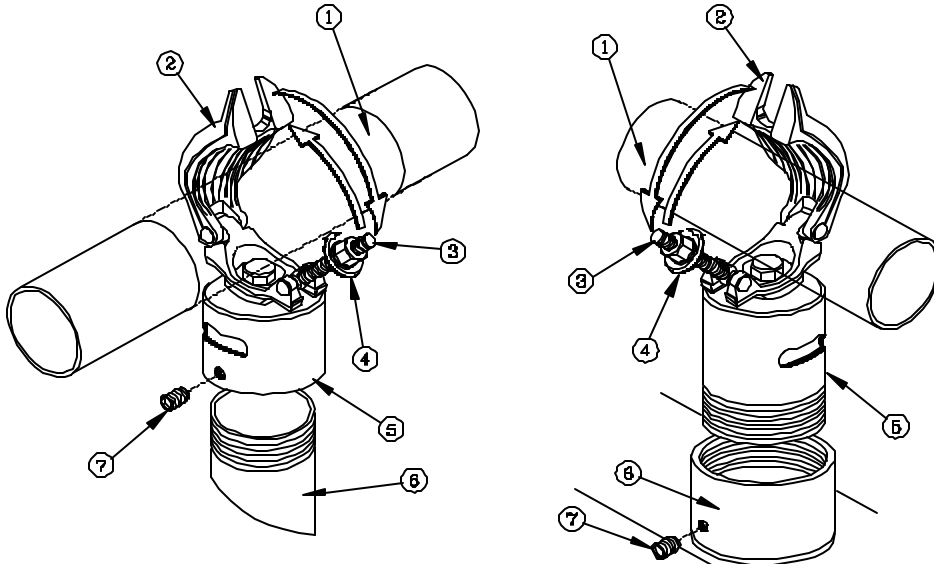


Installation Instructions

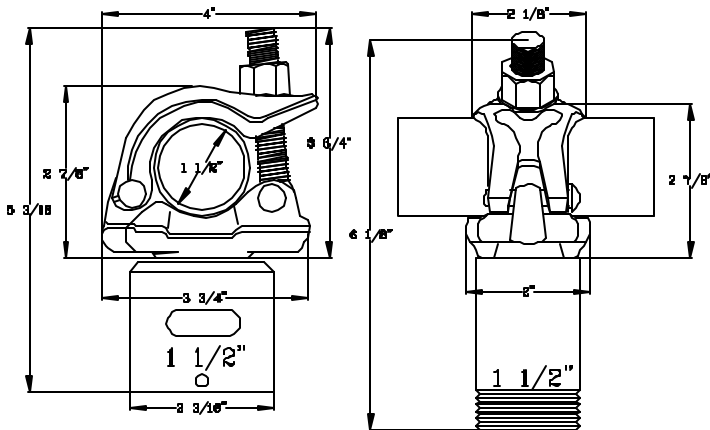
PCC/PCP CHEESEBROUGH UNIVERSAL PIPE CLAMPS



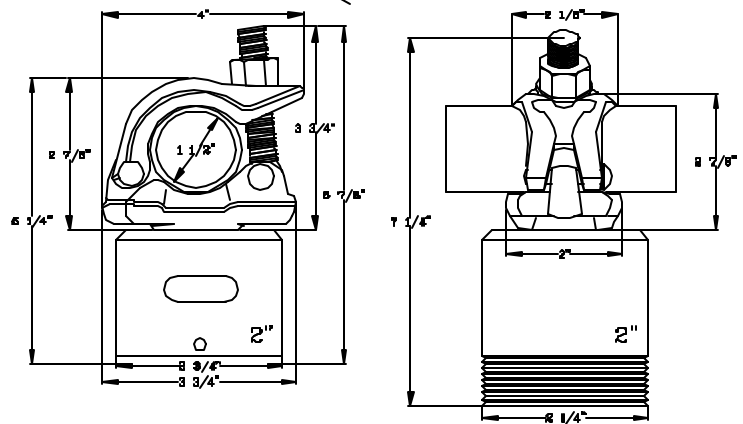
Mounts with Muscle



PCC STYLE



PCP STYLE



WARNING!

The ceiling truss should be capable of supporting a weight of at least five (5) times the projector(s) or monitor(s) weight. If it cannot, the ceiling truss must be reinforced. Proper installation procedures by qualified personnel as outlined in the installation instructions must be adhered to. Failure to do so could result in a serious personal injury.

PCC 1 1/2" or 2"

(1). 1 1/2 or 2" Truss tube (2). Cheesebrough upper clamp (3). Security bolt (4). Security nut (5). 1 1/2 or 2" Pipe Coupling (6). 1 1/2 or 2" (NTP) National Tapered Pipe.(customer length requested). (7). allen locking screw.

PCP 1 1/2" or 2"

(1). 1 1/2 or 2" Truss tube (2). Cheesebrough upper clamp (3). Security bolt (4). Security nut (5). 2" Pipe nipple (6). 1 1/2 or 2" upper mating coupling from mounting devise.

Instructions

Step 1: Loosen the Cheesebrough 1/2 securing clamp nut to fully open position.

Step 2: Place the upper clamp body over the 1 1/2 or 2" ceiling truss tube and place the 1/2 clamp nut to secure the clamp assembly to the truss.

Step 3: Once you have the PCC or PCP at the desired position on the truss tube firmly tighten the 1/2 clamp nut to secure the clamp assembly to the truss.

Step 4: Thread the mating 1 1/2 or 2" NTP (National Tapered Pipe) fully into the clamps pipe or coupling assembly.

Step 5: Recheck all mating points for security of install.

Progressive Marketing Products, Inc.

2980-A Enterprise Street, Brea Ca, 92821
Ph (800) 368-9700 Fax (800)832-4888
E-mail: pmpl@pmpl.com Web Site: www.pmpl.com