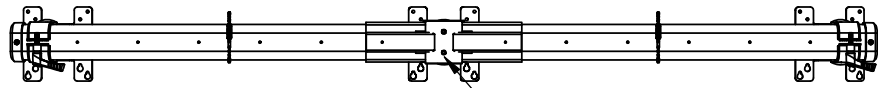
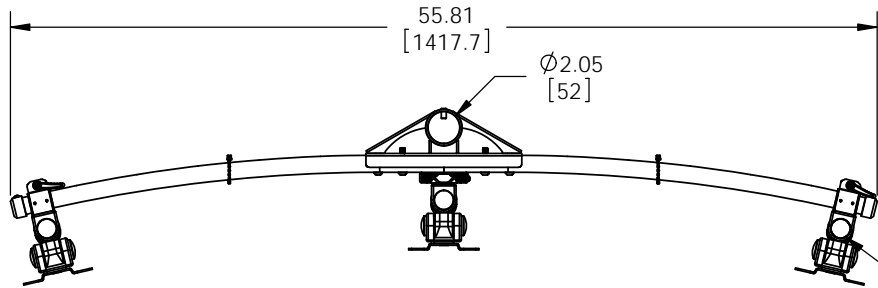
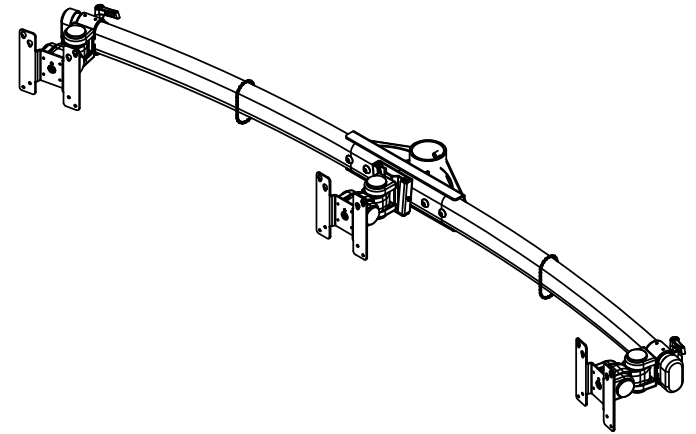


THE INFORMATION CONTAINED IN THIS DRAWING IS THE SOLE PROPERTY OF PREMIER MOUNTS DIVISION OF <PMPI>. ANY REPRODUCTION IN PART OR WHOLE WITHOUT THE WRITTEN PERMISSION OF PREMIER MOUNTS DIVISION OF <PMPI> IS PROHIBITED.



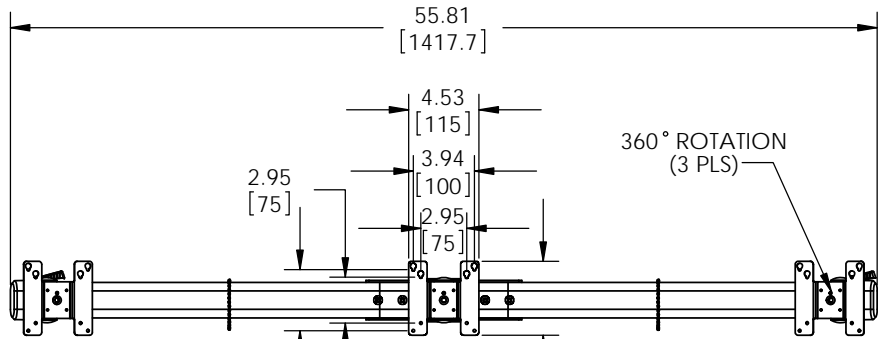
SET SCREWS
(X2)



55.81
[1417.7]

Ø2.05
[52]

BOTH MOUNTS
ADJUST
ALONG TUBE



55.81
[1417.7]

360° ROTATION
(3 PLS)

2.95
[75]

4.53
[115]

3.94
[100]

2.95
[75]

3.94
[100]

4.76
[121]

11.57
[293.8]

9.30
[236.3]

TILT/PIVOT
(3 PLS)

PREMIER MOUNTS®
CREATING POSITIVE CUSTOMER EXPERIENCES

3130 East Miraloma Avenue
Anaheim, CA 92806
P. 800.368.9700 - F. 800-832.4888

ITEM DESCRIPTION: **MM-CB3**

SIZE: B DWG. NO.:

SCALE: 1:8 SHEET 1 OF 1