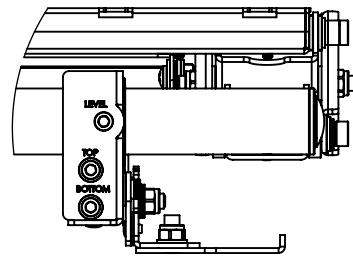


THE INFORMATION CONTAINED IN THIS DRAWING IS THE SOLE PROPERTY OF PREMIER MOUNTS DIVISION OF <PMPI> ANY REPRODUCTION IN PART OR WHOLE WITHOUT THE WRITTEN PERMISSION OF PREMIER MOUNTS DIVISION OF <PMPI> IS PROHIBITED.

CENTRALIZED ADJUSTMENTS
ALIGN THE DISPLAY ON THE X, Y AND Z PLANE. LOCATED ON TOP OF THE MOUNTING BRACKETS



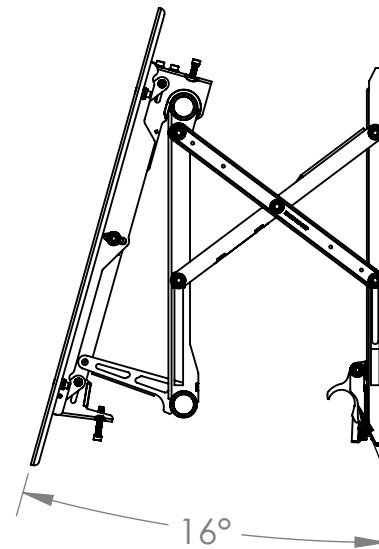
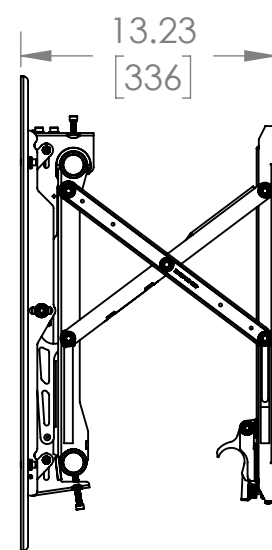
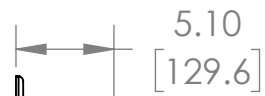
DETAIL B
SCALE 1 : 4

ADAPTERS COULD BE REMOVED TO EXPOSE MIN VESA BOLT PATTERN

(FULLY COLLAPSED)

(FULLY EXTENDED)

(SERVICE POSITION)

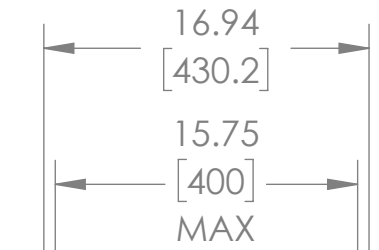
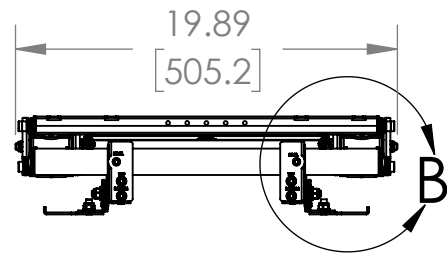
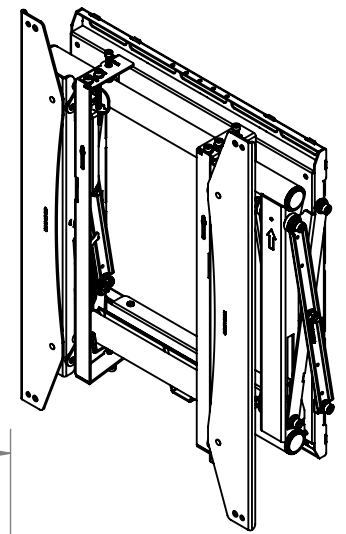


IN/OUT
ADJUSTMENT ±.375"

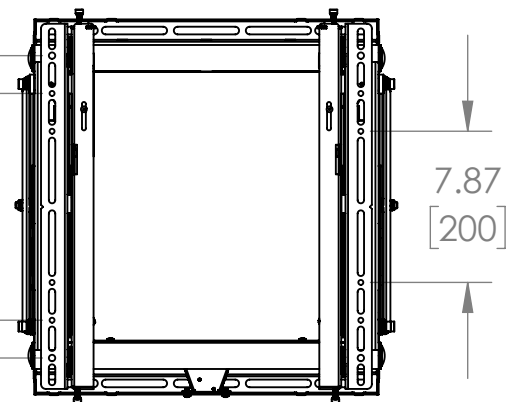
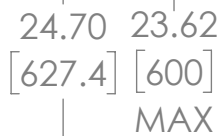
VESA PATTERN
(200X200 MIN - 400 X 400 MAX)
WITH EXT. ADAPTER (400 X 600 MAX)

SHOWN WITHOUT
ADAPTER

DIMENSION ARE IN INCH AND [MM]
WEIGHT CAPACITY 160 LBS

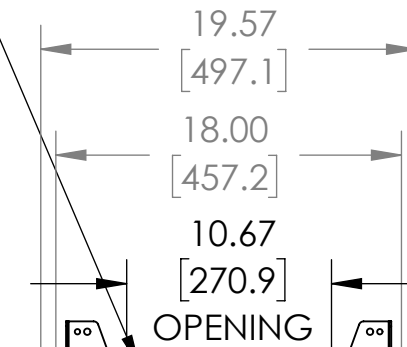


(SHOWN WITH ADAPTERS
MAX VESA 400 X 600)

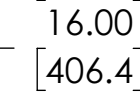
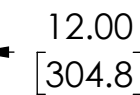
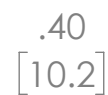
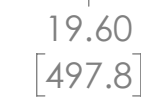
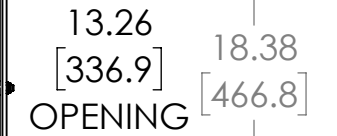


(SHOWN WITHOUT ADAPTERS)

.250" [6.35] POST
LEVELING



(OPEN
BACK)



(SINGLE SPRING
LOADED LATCH)

PREMIER MOUNTS
2620 Palisades Dr.
Corona Ca, 92882
P. 800.368.9700 - F. 800.832.4888

ITEM DESCRIPTION:
PRESS AND RELEASE POP OUT PORTRAIT MOUNT

SIZE B	DWG. NO. LMVP
SCALE: 1:10	SHEET 1 OF 1