

# UFP-400

## Installation Guide



x1  
Adapter  
Plate

x4  
M4X5 Phillips  
Screw

x4  
M6X12 Phillips  
Screw

x4  
M6X16 Phillips  
Screw

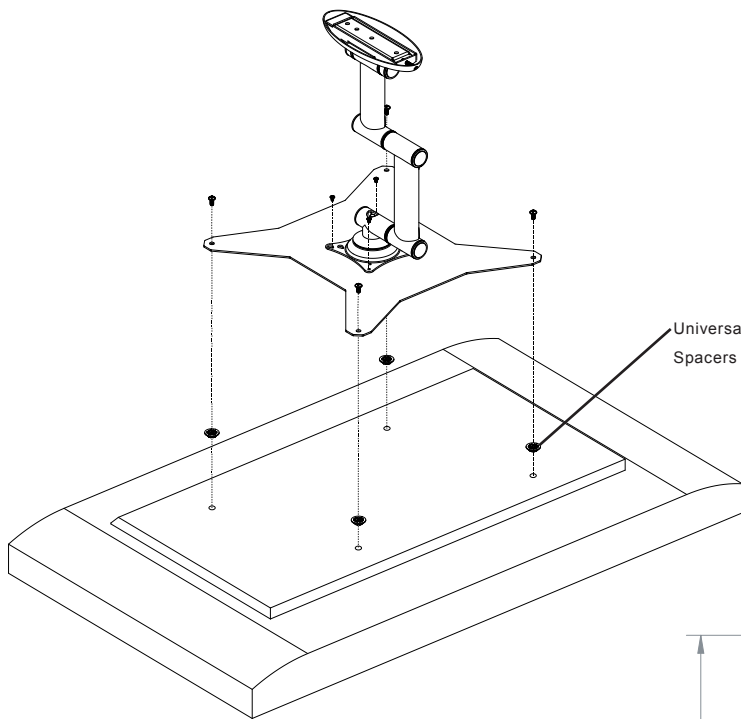
x4  
M6X20 Phillips  
Screw

x4  
M8X12 Phillips  
Screw

x4  
M8X16 Phillips  
Screw

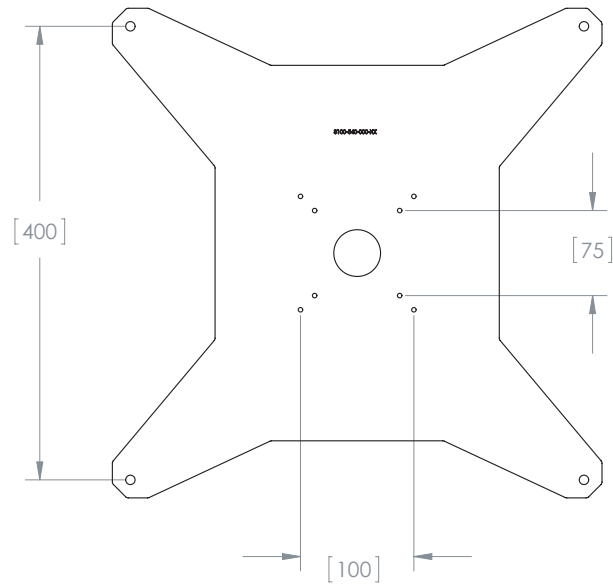
x4  
M8X20 Phillips  
Screw

x4  
Universal  
Spacer



Universal  
Spacers

NOTE: Use Universal Spacers if necessary.



**Vesa Pattern**

75 X 75mm  
100 X 100mm  
400 X 400mm

**Screws**

Use (4) M4 screws  
Use (4) M4 screws  
Use (4) M6 screws or (4) M8 screws (depending on display size)

