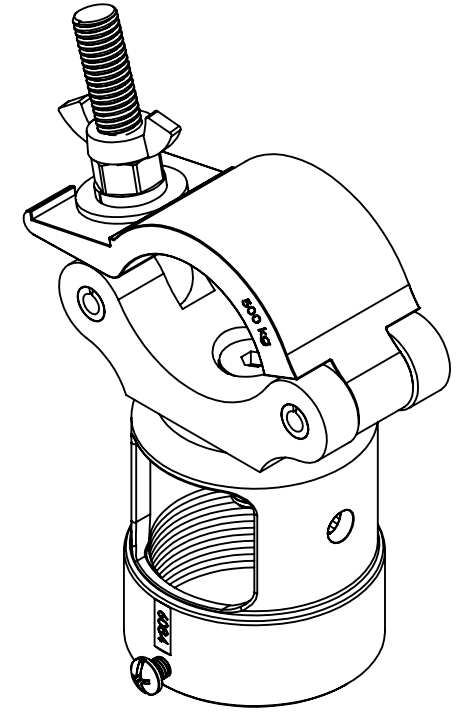
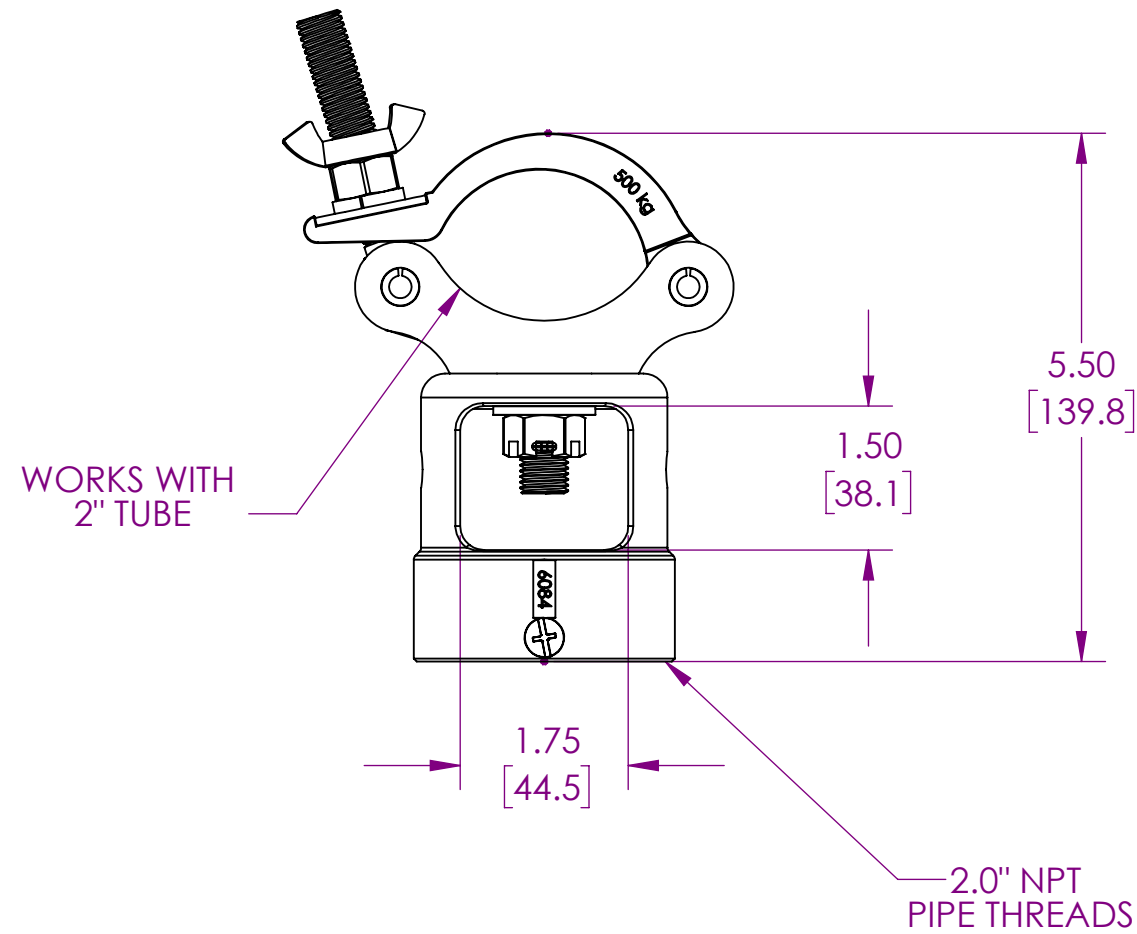
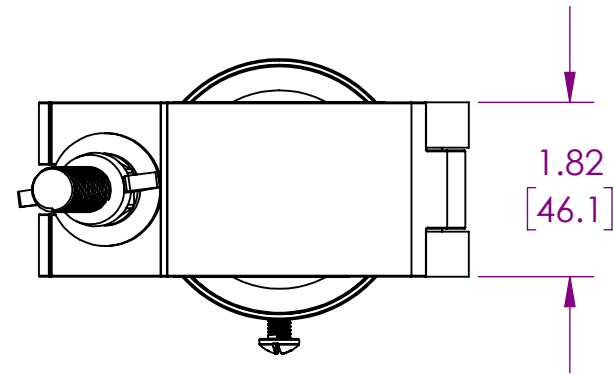
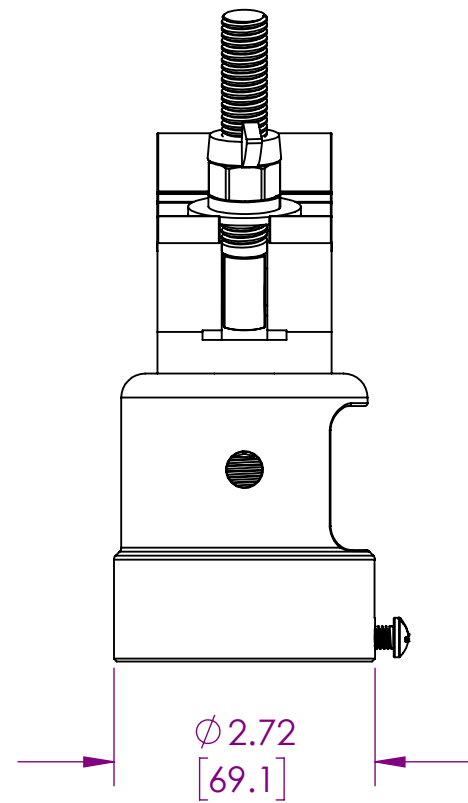



THE INFORMATION CONTAINED IN THIS DRAWING IS THE SOLE PROPERTY OF PREMIER MOUNTS DIVISION OF <PMPI> ANY REPRODUCTION IN PART OR WHOLE WITHOUT THE WRITTEN PERMISSION OF PREMIER MOUNTS DIVISION OF <PMPI> IS PROHIBITED.



| | |
|---|--------------------------|
|  PREMIER MOUNTS <small>THE ORIGINAL MOUNT COMPANY</small> 1321 South State College Blvd Fullerton Ca, 92831 P. 800.368.9700 - F. 800.832.4888 | |
| ITEM DESCRIPTION: | |
| 2" CHEESEBROUGH CLAMP | |
| SIZE B | DWG. NO. PCC-2 |
| SCALE: 1:2 | SHEET 1 OF 1 |