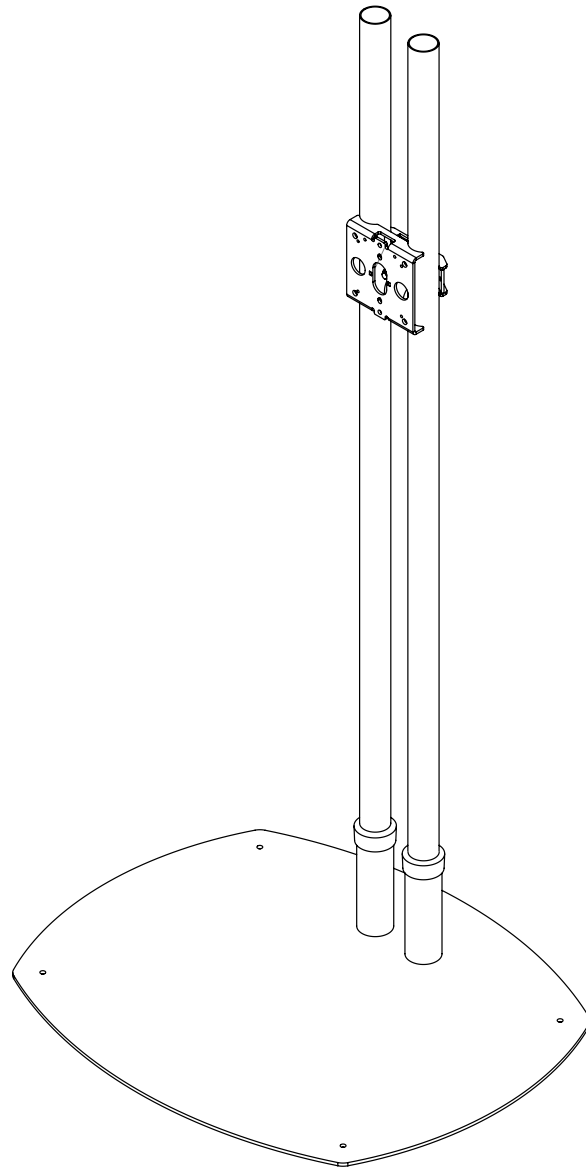


PSD-TS

Installation Guide

Installationsanleitung, Guía de Instalación, Guida de Installazione, Guide d'Installation, Installatie gids



www.mounts.com | North America 800.368.9700 | International +1-714-632-7100
1321 S. State College Blvd., Fullerton, CA 92831 USA



Weight Limit

Maximum Weight Capacity: **200 lbs.**

Warning Statements



PREMIER MOUNTS DOES NOT WARRANT AGAINST DAMAGE CAUSED BY THE USE OF ANY PREMIER MOUNTS PRODUCT FOR PURPOSES OTHER THAN THOSE FOR WHICH IT WAS DESIGNED OR DAMAGE CAUSED BY UNAUTHORIZED ATTACHMENTS OR MODIFICATIONS, AND IS NOT RESPONSIBLE FOR ANY DAMAGES, CLAIMS, DEMANDS, SUIT ACTIONS OR CAUSES OF ACTION OF WHATEVER KIND RESULTING FROM, ARISING OUT OF OR IN ANY MANNER RELATING TO ANY SUCH USE, ATTACHMENTS OR MODIFICATIONS.



THE FLOOR MUST BE CAPABLE OF SUPPORTING AT LEAST 200 LBS. IF NOT; THE FLOOR STRUCTURE MUST BE REINFORCED. PROPER INSTALLATION PROCEDURE BY A QUALIFIED SERVICE TECHNICIAN, AS OUTLINED IN THE INSTALLATION INSTRUCTIONS, MUST BE ADHERED TO. FAILURE TO DO SO COULD RESULT IN SERIOUS PERSONAL INJURY, OR EVEN DEATH.



SAFETY MEASURES MUST BE PRACTICED AT ALL TIMES DURING THE ASSEMBLY OF THIS PRODUCT. USE PROPER SAFETY GEAR AND TOOLS FOR THE ASSEMBLY PROCEDURE TO PREVENT PERSONAL INJURY.



PRIOR TO THE INSTALLATION OF THIS PRODUCT, THE ASSEMBLY INSTRUCTIONS SHOULD BE READ AND COMPLETELY UNDERSTOOD. THE ASSEMBLY INSTRUCTIONS MUST BE READ TO PREVENT PERSONAL INJURY AND PROPERTY DAMAGE. KEEP THESE ASSEMBLY INSTRUCTIONS IN AN EASILY ACCESSIBLE LOCATION FOR FUTURE REFERENCE.



Indicates that the power plug is to be disconnected from the power outlet.



Safety precautions must be taken at all times.



Warning and Caution statements.



Do not install on a structure that is prone to vibration, movement or chance of impact. Failure to do so could result in damage to the plasma display and/or damage to the mounting surface.



Do not install near heater, fire place, direct sunlight, air conditioning or any other source of direct heat energy. Failure to do so may result in damage to the display and could increase the risk of fire.



At least two qualified people should perform the assembly procedure. Injury and/or damage can result from dropping or mishandling the display.

AVERTISSEMENT



PREMIER MOUNTS NE GARANTIT PAS CONTRE LE DOMMAGE CAUSÉ PAR L'UTILISATION DU PRODUIT PREMIER MOUNTS À D'AUTRES FINS QUE CELLES POUR LESQUELLES IL A ÉTÉ CONÇU OU CONTRE LE DOMMAGE CAUSÉ PAR DES ACCESSOIRES OU MODIFICATIONS NON AUTORISÉS, ET N'EST PEUT ÊTRE TENU RESPONSABLE DE DOMMAGES, PLAINTES, DEMANDES, POURSUITES JUDICIAIRES OU CAUSES D'ACTION DE TOUTE SORTÉ RÉSULTANT DE, PROVENANT DE OU DE QUELQUE MANIÈRE EN RAPPORT À UN TEL USAGE, ACCESSOIRES OU MODIFICATIONS.



LE SOL DOIT ÊTRE CAPABLE DE SUPPORTER AU MOINS 200 LBS. SINON ; LA STRUCTURE DU SOL DOIT ÊTRE RENFORCÉE. UNE BONNE PROCÉDURE D'INSTALLATION PAR UN TECHNICIEN QUALIFIÉ, CONFORMÉMENT AUX CONSIGNES D'INSTALLATION, DOIT ÊTRE SUIVIE. LE DÉFAUT DE LE FAIRE POURRAIT ENTRAÎNER DES BLESSURES GRAVES, VOIRE MÊME LA MORT.



LES MESURES DE SÉCURITÉ DOIVENT ÊTRE PRATIQUÉES À TOUT MOMENT DURANT L'ASSEMBLAGE DE CE PRODUIT. PRIÈRE D'UTILISER L'ÉQUIPEMENT DE SÉCURITÉ ET DES OUTILS APPROPRIÉS LORS DE LA PROCÉDURE D'ASSEMBLAGE POUR ÉVITER DES BLESSURES.



AVANT L'INSTALLATION DE CE PRODUIT, LES CONSIGNES D'ASSEMBLAGE DEVRAIENT ÊTRE LUES ET PLEINEMENT COMPRIS. LES CONSIGNES D'ASSEMBLAGE DOIVENT ÊTRE LUES POUR ÉVITER LES BLESSURES ET L'ENDOMMAGEMENT DES BIENS. GARDEZ CES CONSIGNES D'ASSEMBLAGE DANS UN ENDROIT FACILEMENT ACCESSIBLE POUR FUTURE RÉFÉRENCE.



Indique que la prise de courant doit être débranchée de la sortie de puissance.



Les mesures de sécurité doivent être prises à tout moment.



Messages d'avertissement et de mise en garde.



Éviter d'installer sur une structure encline aux vibrations, mouvements ou risques d'impact. Le défaut de le faire pourrait affecter l'affichage du plasma et/ou endommager la surface de montage.



Éviter d'installer dans la proximité des appareils de chauffage, cheminées, rayonnement solaire direct, conditionnement d'air ou d'autres sources d'énergie thermique directe. Le défaut de le faire pourrait endommager l'écran et pourrait augmenter le risque d'incendie.



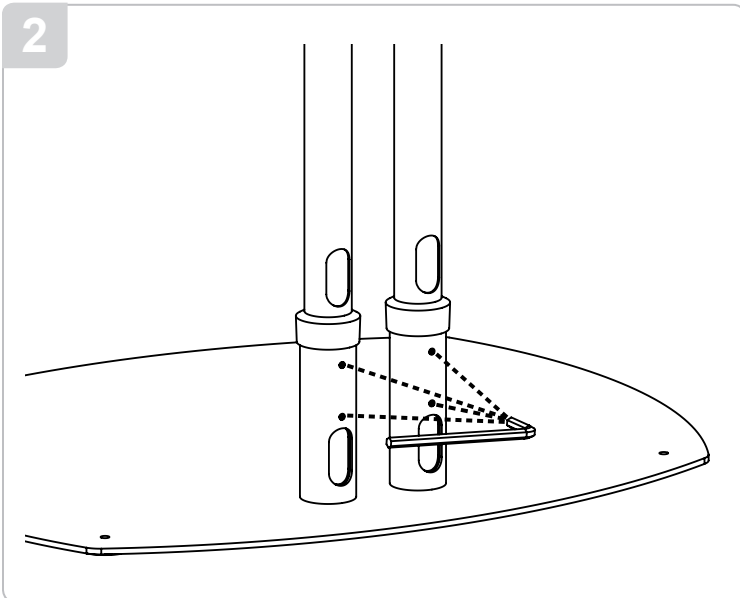
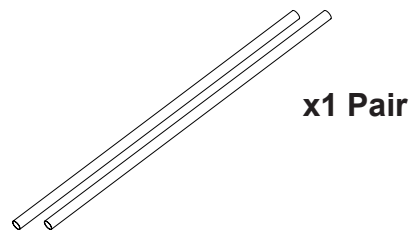
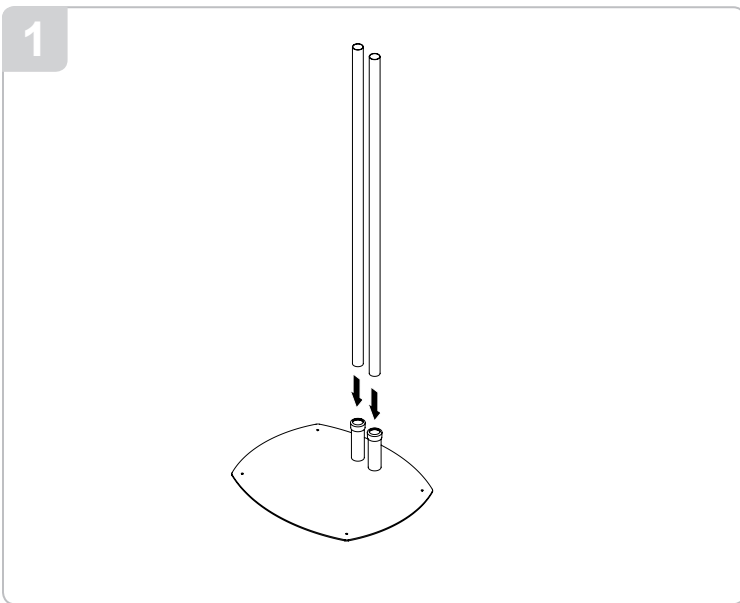
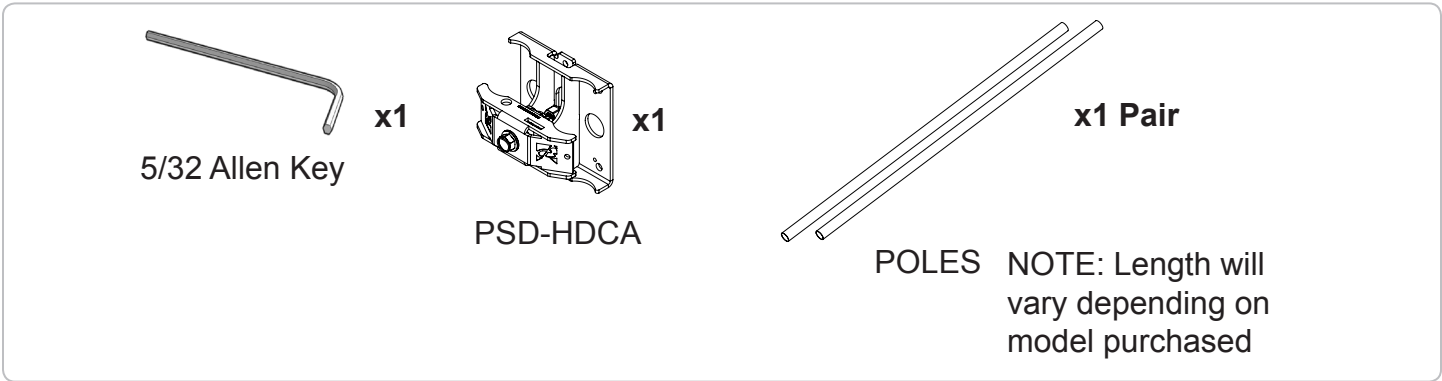
Au moins deux personnes qualifiées devraient exécuter la procédure d'assemblage. Blessures et/ou dommages peuvent entraîner la chute ou un fautive manœuvre de l'écran.

PSD-TS

Installation Guide

Installationsanleitung, Guía de Instalación, Guida de Installazione, Guide d'Installation, Installatie gids

Included components



Tighten the preinstalled set screws using a 5/32" Allen Key.



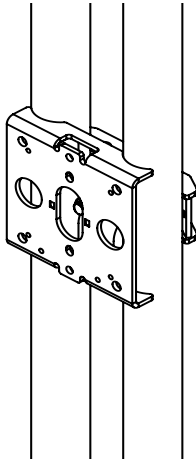
PSD-TS

Installation Guide

Installationsanleitung, Guía de Instalacion, Guida de Installazione, Guide d'Installation, Installatie gids

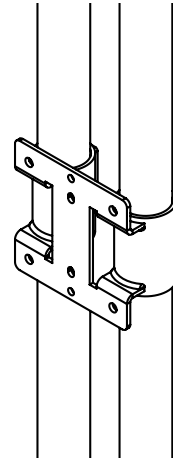
3

PSD-HDCA



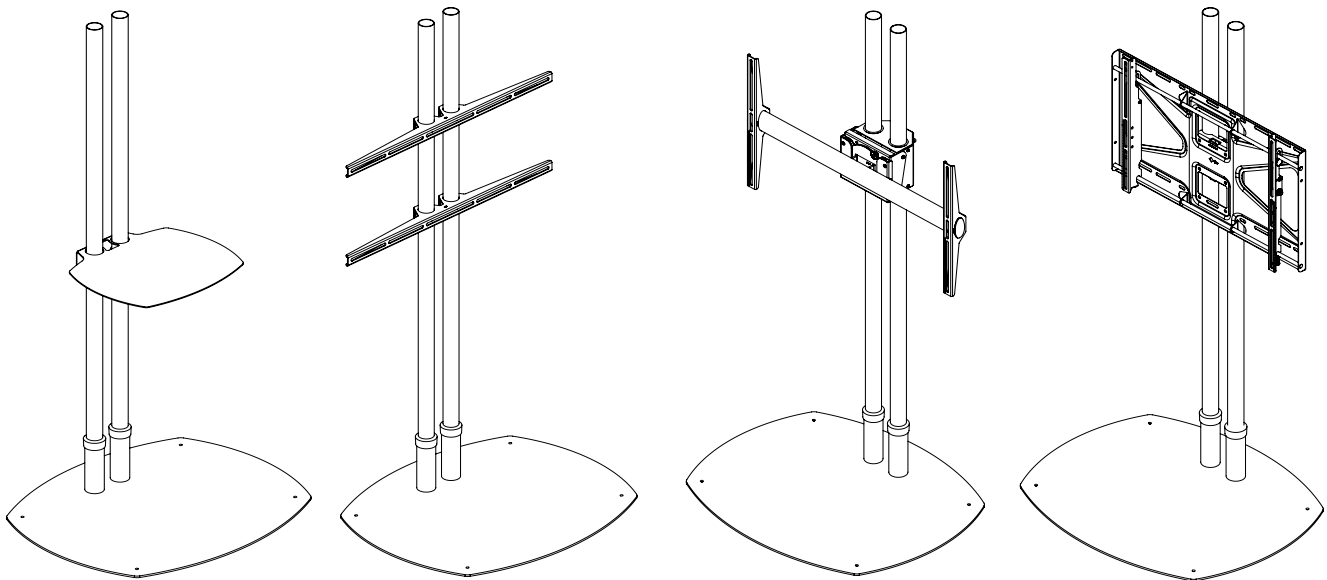
Refer to PSD-HDCA manual for installation

PSD-SPA (Optional)



Not supplied

Optional Mounting Configurations



PSD-TS

Installation Guide

Installationsanleitung, Guía de Instalación, Guida de Installazione, Guide d'Installation, Installatie gids

PREMIER MOUNTS LIMITED LIFETIME WARRANTY

What and Who is Covered by this Limited Lifetime Warranty

Premier Mounts warrants all mounting products to be free from defects in material and workmanship for the lifetime of the original installation of the product.

What Premier Mounts Will Do

At the sole option of Premier Mounts, Premier Mounts will repair or replace any product or product part that is defective. If Premier Mounts chooses to replace a defective product or part, a replacement product or part will be shipped to you at no charge, but you must pay any related labor costs.

What is Not Covered: Limitations

Premier Mounts disclaims any liability for damage to mounts, adapters, displays, projectors, other property, or personal injury resulting, in whole or in part, from improper installation, modification, use or misuse of its products.

NOTWITHSTANDING ANYTHING TO THE CONTRARY IN THIS WARRANTY, THIS WARRANTY IS LIMITED TO FIVE YEARS FROM THE DATE OF PURCHASE IN THE EVENT THAT THE WARRANTED PRODUCT IS COMMERCIALY RENTED OUT.

Electrical products and components, such as amplifiers, speakers, motors, switches remote controls and related electrical items, are backed by a 3-year warranty.

Premier Mounts disclaims all other warranties, express or implied, including warranties of merchantability and fitness for a particular purpose. Premier Mounts is not responsible for incidental or consequential damages, including but not limited to, inability to use its products or labor costs for removing and replacing defective products or parts. Some states do not allow the exclusion or limitation of incidental or consequential damages, so the above limitation or exclusion may not apply to you.

What Customers Must Do for Warranty Service

If you discover a problem that you think may be covered by the warranty, you must report it in writing to the address below within thirty (30) days. Proof of purchase (an original sales receipt) from the original consumer purchaser must accompany all warranty claims. Warranty claims must also include a description of the problem, the purchaser's name, address, and telephone number. General inquiries can be addressed to Premier Mounts Customer Service at 1-800-368-9700. Warranty claims will not be accepted over the phone or by fax.

Premier Mounts
Attn: Warranty Claim
1321 S. State College Blvd.
Fullerton, CA 92831 USA

How State Law Applies

This warranty gives you specific legal rights, and you may also have other rights which vary from state to state.

Premier Mounts intends to make this manual accurate and complete. However, Premier Mounts makes no claim that the information contained herein covers all details, conditions or variations, nor does it provide for every possible contingency in connection with the installation or use of this product. The information contained in this document is subject to change without notice or obligation of any kind. Premier Mounts makes no representation of warranty, expressed or implied, regarding the information contained herein. Premier Mounts assumes no responsibility for accuracy, completeness or sufficiency of the information contained in this document.

