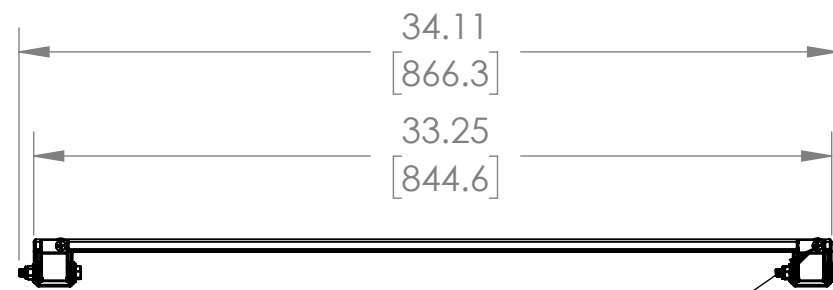


THE INFORMATION CONTAINED IN THIS DRAWING IS THE SOLE PROPERTY OF PREMIER MOUNTS DIVISION OF <PMPI> ANY REPRODUCTION IN PART OR WHOLE WITHOUT THE WRITTEN PERMISSION OF PREMIER MOUNTS DIVISION OF <PMPI> IS PROHIBITED.



ANCHOR SIZE

WOOD INSTALLATION

(4) 5/16" X 3" LG
SAE 1035 MEDIUM
CARBON STEEL
LAG BOLTS &
5/16" USS LOW CARBON
STEEL FLAT WASHERS

SOLID CONCRETE

(4) 5/16" X 3" LG
SAE 1035 MEDIUM
CARBON STEEL
LAG BOLTS &
5/16" USS LOW CARBON
STEEL FLAT WASHERS &
SOLID BLOCK AND BRICK
M10 X 60 NYLON ORANGE ANCHOR

POST-LEVELING
ADJUSTMENT SCREWS

31.53
[800.8]
MAX VESA

LATERAL SHIFT
ADJUSTMENT VIA SLOTS

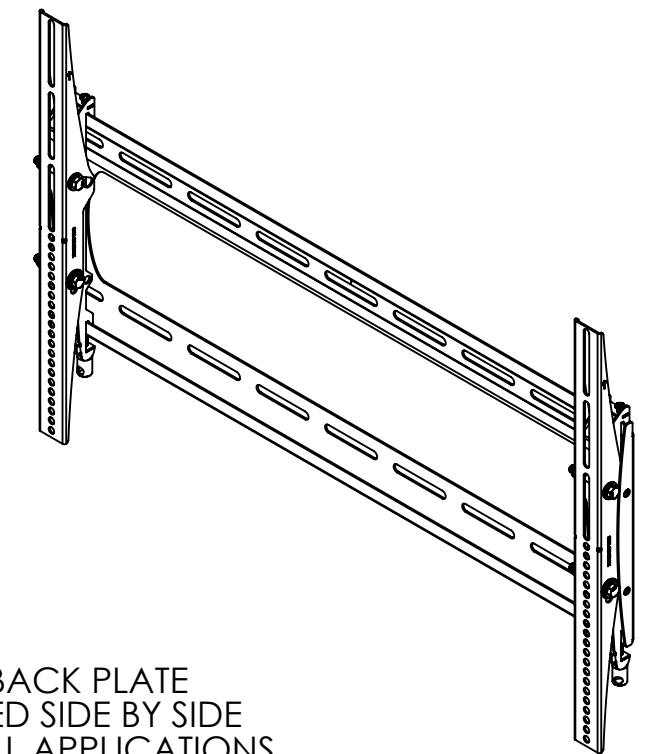
20.76
[527.3] 21.38
[543.1]
MAX VESA

16.00
[406.4]
ANCHOR POINTS

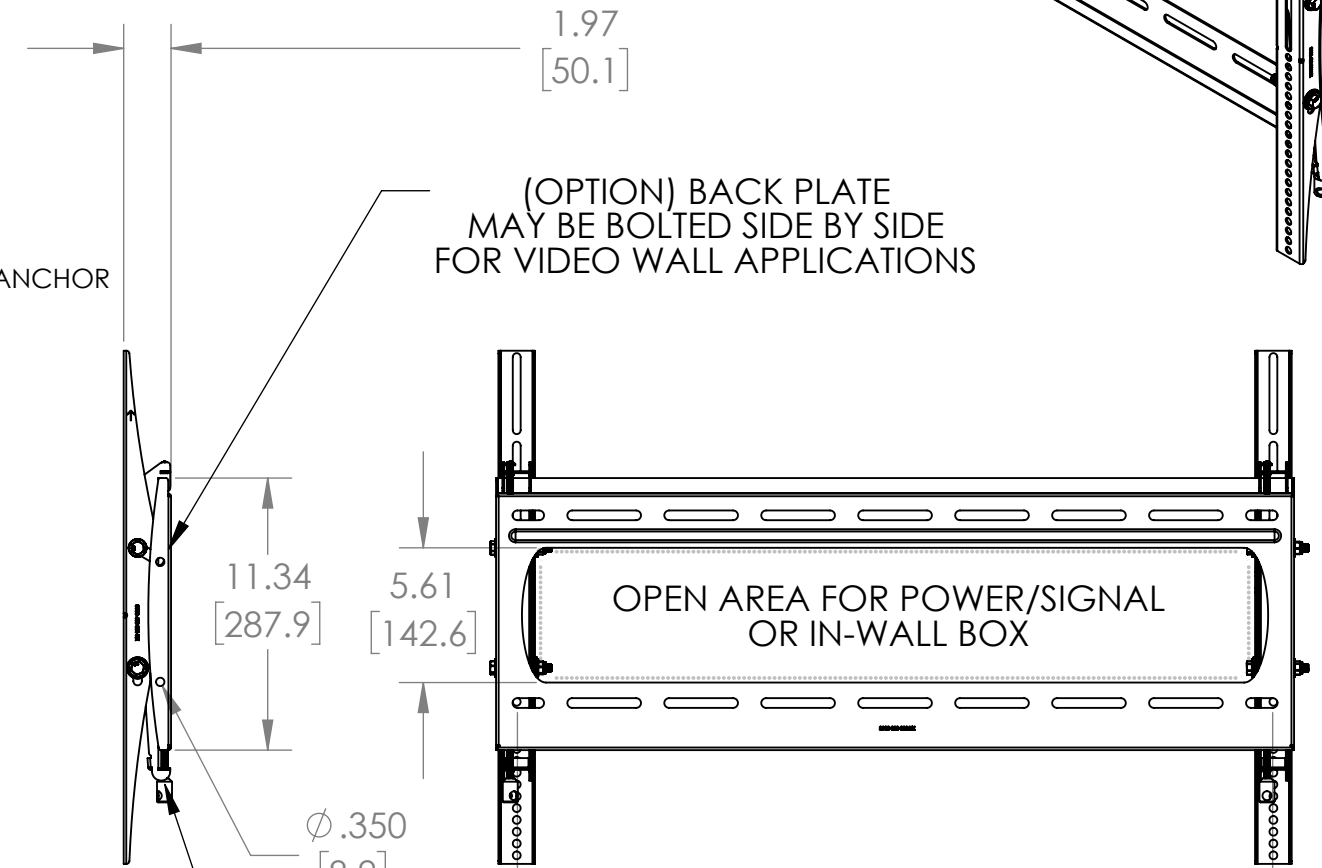
24.00
[609.6]
ANCHOR POINTS

Ø .328
[8.3]

LATERAL ADJUSTMENT
VIA MOUNTING BRACKETS



(OPTION) BACK PLATE
MAY BE BOLTED SIDE BY SIDE
FOR VIDEO WALL APPLICATIONS



OPEN AREA FOR POWER/SIGNAL
OR IN-WALL BOX

LOCKING
SCREWS

31.47
[799.3]
ANCHOR POINTS

10°

0°-10°
CONTINUOUS TILT

WEIGHT CAPACITY: 175 LBS
DIMENSION ARE IN INCH AND [MM]



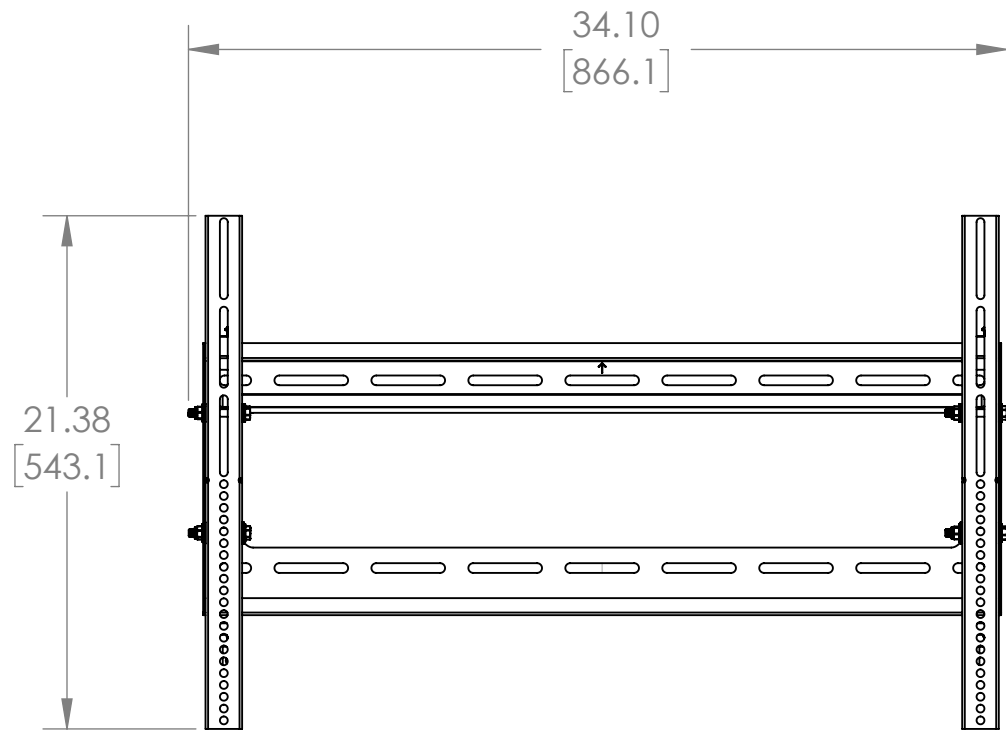
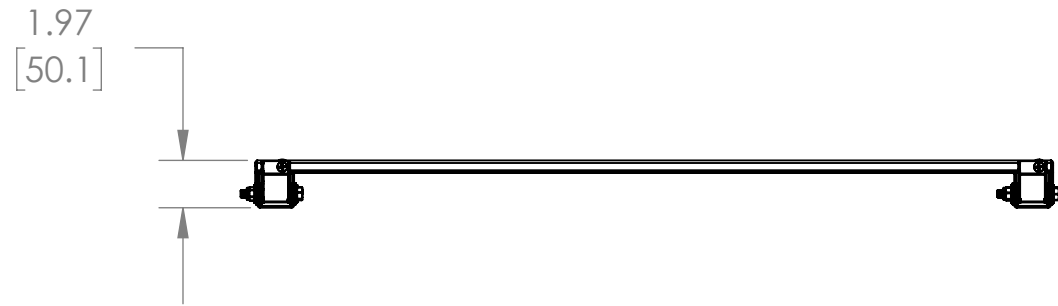
1321 South State College Blvd
Fullerton Ca, 92831
P. 800.368.9700 - F. 800.832.4888

ITEM DESCRIPTION:
TILTING LOW-PROFILE MOUNT

SIZE B DWG. NO. P4263T

SCALE: 1:8 SHEET 1 OF 1

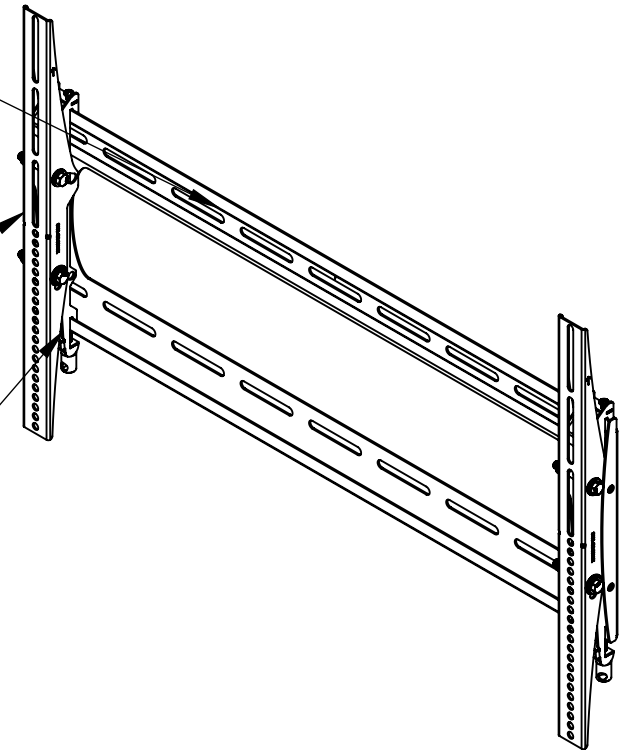
THE INFORMATION CONTAINED IN THIS DRAWING IS THE SOLE PROPERTY OF PREMIER MOUNTS DIVISION OF <PMPI> ANY REPRODUCTION IN PART OR WHOLE WITHOUT THE WRITTEN PERMISSION OF PREMIER MOUNTS DIVISION OF <PMPI> IS PROHIBITED.



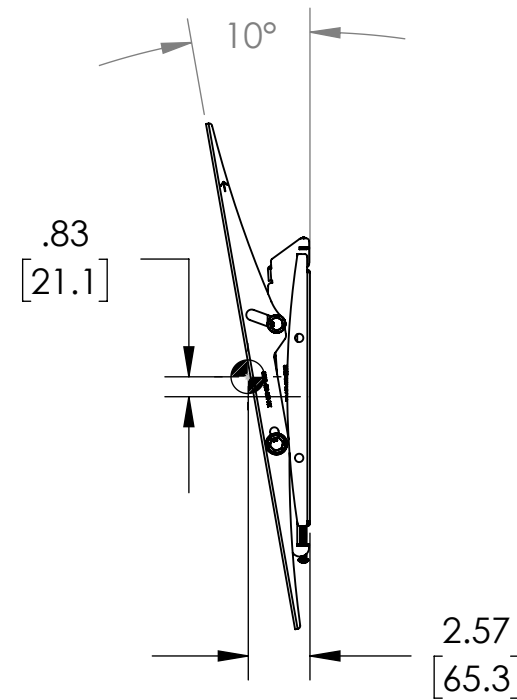
14 GA (.074") ASTM 1008 COLD ROLLED STEEL MATERIAL

14 GA (.074") ASTM 1008 COLD ROLLED STEEL MATERIAL

14 GA (.074") ASTM 1008 COLD ROLLED STEEL MATERIAL



CENTER OF GRAVITY WITH 175 LBS



OSHDP

Office of Statewide Health Planning and Development

OPM CERT. #: OPM-0412-13



1321 South State College Blvd
Fullerton Ca, 92831
P. 800.368.9700 - F. 800.832.4888

ITEM DESCRIPTION:
TILTING LOW-PROFILE MOUNT

SIZE B DWG. NO. P4263T

SCALE: 1:8

SHEET 1 OF 1