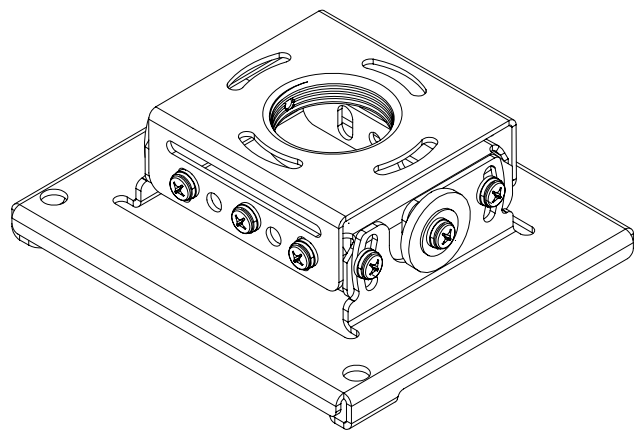
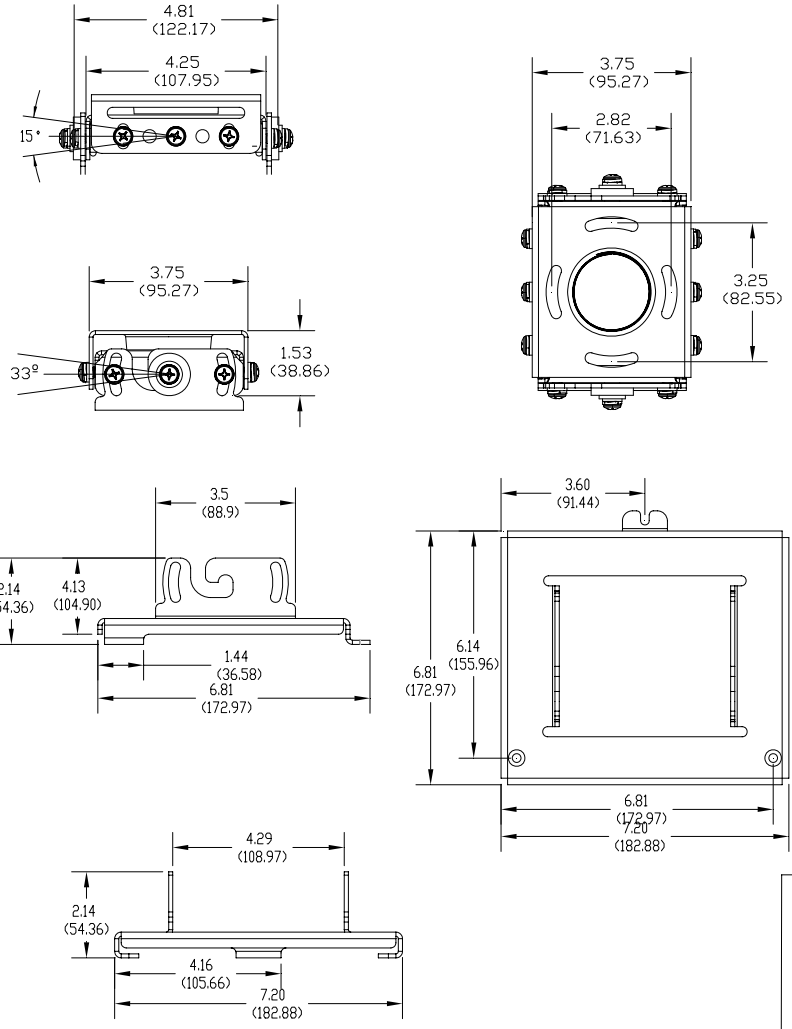


THE INFORMATION CONTAINED IN THIS DRAWING IS THE SOLE PROPERTY OF PREMIER MOUNTS (OR PMPI). ANY REPRODUCTION IN PART, OR WHOLE, WITHOUT THE WRITTEN PERMISSION OF PREMIER MOUNTS (OR PMPI) IS PROHIBITED

REVISIONS			
REV.	DESCRIPTION	DATE	APPROVED



Architectural Specifications

The projector mount will be a Premier Mounts PDS-003, or equivalent, and can be used to mount projectors from the ceiling. It will mount to an AST-2446, or any custom 1-1/2" length of NPT pipe. It will be made of cold-rolled steel. The mount is height adjustable (depending on the length of NPT pipe that is used) to help achieve the perfect viewing height. It will incorporate security screws (optional) at all mounting and adjustment points. It will also allow cable management inside the NPT pipe. It offers up to ±7.5° (from center) of roll; ±16.5° (from center) of tilt; and 40° of yaw (360° when using pipe). It will also include a projector-specific mounting plate. Assembly and installation will be performed according to the instructions provided by the manufacturer.

- Surface Types - Ceiling
- Weight Capacity - 65Lbs.
- Dimensions - 7.20" (W) x 2.14" (H) x 6.81" (D)
- Attachment - AST-2446, 1-1/2" NPT Pipe, or Wood Screws